

Pressure transmitter ceramic 4-20 mA

Article number: 801513 3032

The ceramic 4-20 mA pressure transmitter is designed for reliable relative pressure measurement in standard industrial applications. It features high accuracy and overpressure protection and converts the measured value into an interference-free 4-20 mA signal, ideal for long transmission distances. Please note that it is not suitable for ammonia or freons due to the ceramic measuring cell.

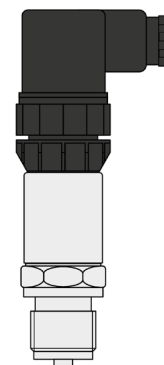


| Supply and output | |
|-----------------------|--|
| Output | 4 - 20 mA (2-Wire) |
| Load | $R_a \text{ (Ohm)} = (U_b - 7 \text{ V}) / 0,02 \text{ A}$ |
| Insulation resistance | 500 V DC |
| Voltage supply | 7 - 33 V DC |
| Power input | < 23 mA |

| Pressure | |
|---------------------------|--|
| Pressure type | Relative pressure |
| Measuring principle | Ceramic measuring cell (no separate pressure transmitter required) |
| Pressure range | See table |
| Accuracy pressure | $\pm 0,3 \%$ of the final value |
| Response time | 2 ms (typ. 1 ms) |
| Burst pressure / Overload | < 4 bar: 3 x full scale = end value (measuring range); > 4 bar: 2.5 x full scale |
| Temperature behavior | $\pm 0,02 \%$ per Kelvin |

| Body | |
|-------------------------|---|
| Material | Stainless steel 1.4305 SUS 303 |
| Color | Black |
| Dimensions (L/W/H) (mm) | 115 x 40 x 30 |
| Wetted parts | Pressure connection made of stainless steel V2A (1.4305); measuring element made of ceramic Al2O3 (96%); sealing material made of FPM (Viton) |
| Pressure connection | G1/2", back-seating |
| Electrical connection | 0.25 - 1.5 mm ² , via plug connector DIN EN 175301-803-A (included in the scope of delivery) |

Configurable options
P-Pressure range



MW / KC 22.09.2025

Testo Sensor GmbH

| Ambient conditions | |
|---------------------|----------------------------|
| Storage temperature | -50 °C to +100 °C |
| Ambient temperature | -30 °C to +85 °C |
| Medium | liquid and gaseous |
| Medium temperature | -15 °C to +125 °C |
| Long-term stability | ± 0.25% of full scale/year |

| Certifications / Standards | |
|--------------------------------------|--|
| Protection class | III (according to EN 60 730) |
| Protection type | IP 65 according to EN 60 529 |
| Standards | CE conformity, according to EMC Directive 2014/ 30/ EU |
| Tests | Drinking water approval according to NSF/ANSI 61/372, UL certified according to ANSI/UL 61010-1 |
| Shock acc. to IEC 68-2-27 | 100 g, 11 ms, half sine wave, all 6 directions, free fall from 1 m onto concrete (6x) |
| Continuous shock acc. to IEC 68-2-29 | 40 g over 6 ms, 1000x all 3 directions |
| Vibration acc. to IEC 68-2-6 | 20 g, 15 to 2000 Hu, 15 to 25 Hz with amplitude ± 15 mm, 1 octave/minute all 3 directions, 50 continuous loads |

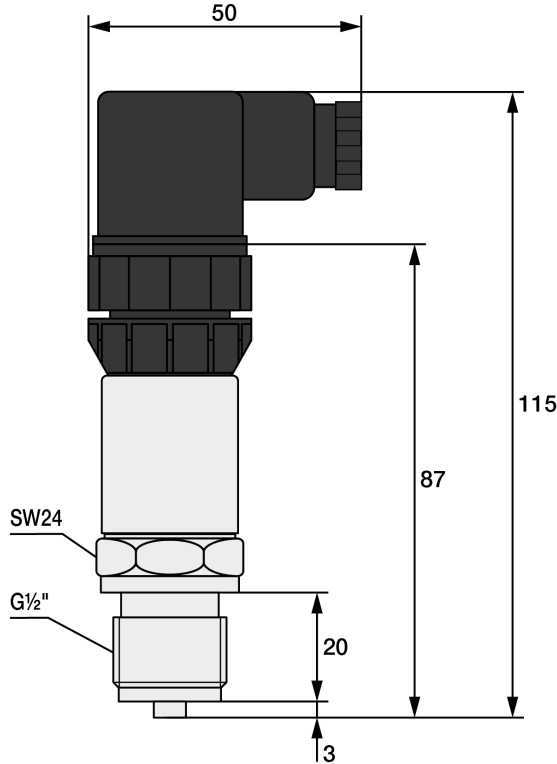
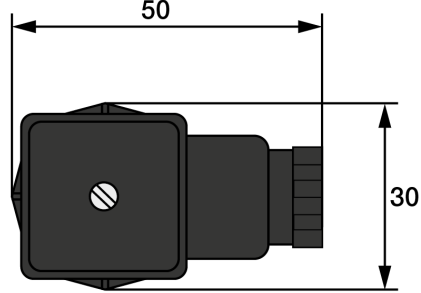
| Delivery and Packing | |
|----------------------|--------------------------------------|
| Delivery | Transmitter, Operating instructions |
| Packing | individually packed in cardboard box |

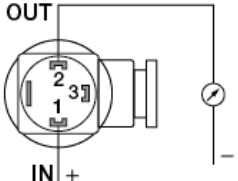
| Your order code | P - Pressure range | | |
|-----------------|--------------------|-------|-----------------|
| Article number | Pressure range | code | Pressure range |
| 801513 3032 | P_____ | P0060 | 0 bar to 6 bar |
| | | P0100 | 0 bar to 10 bar |
| | | P0160 | 0 bar to 16 bar |

MW / KC 22.09.2025

Testo Sensor GmbH

+49 7653 96597-71 Managing Director: Peter Kräuter, Timo Löffler
 Testo-Straße 1 webshop@testo-sensor.de Amtsgericht Freiburg HRB 706025 | Umsatzsteuer-ID.: DE274417683
 D-79853 Lenzkirch Please find our whole temperature probe and transmitter portfolio in our webshop at: www.testo-sensor.shop

| Technical drawing | Top view |
|--|---|
|  |  <p data-bbox="805 627 1125 660">Important assembly instructions</p> <p data-bbox="805 772 1428 918">Installation is carried out by screwing the transmitter directly into the pressure line via the G1/2" process connection. The electrical connection is conveniently and quickly made using the DIN plug connector supplied, which ensures simple and safe commissioning. Before commissioning, check the pressure and electrical connections for leaks and correct connection.</p> <p data-bbox="1252 1030 1452 1064" style="text-align: right;">All dimensions in mm</p> |

| Circuit diagrams and assignment (Please also read the operating instructions before connecting the transmitter) | |
|---|---|
| Schaltbild | Assignment |
|  | <p data-bbox="805 1176 1093 1198">1 = Supply voltage UB+ 24V DC</p> <p data-bbox="805 1209 1069 1232">2 = Output pressure 4-20 mA</p> <p data-bbox="805 1243 885 1265">3 = Free</p> |

MW / KC 22.09.2025