

# Room transmitter 4-20 mA

**Article number: 801110 1012**

Our room transmitter has a 4-20 mA current output and can be mounted using screws. The 4-20 mA room transmitter has eight switchable measuring ranges, a Baldur 1 plastic housing and is suitable for measuring the temperature in indoor areas such as offices, supermarkets and schools.



| Supply and output |                    |
|-------------------|--------------------|
| Output            | 4 - 20 mA          |
| Power consumption | < 1,0 VA / 24 V DC |
| Voltage supply    | 15 - 36 V DC       |
| Connection type   | 2-Wire             |

| General information   |   |
|-----------------------|---|
| Measuring range       | multi-range switching with 8 switchable measuring ranges<br>Operating range: -30 °C to 70 °C<br>with manual zero point correction ( $\pm 10$ K) |
| Sensor                | Pt1000, DIN EN 60751, Class B   |
| Temperature deviation | typically $\pm 0.2$ K at +25 °C   |
| Load                  | $R_a$ (Ohm) = $(U_b - 14 \text{ V}) / 0,02 \text{ A}$   |
| Process connection    | by screws   |

| Housing                 |   |
|-------------------------|---|
| Material                | Plastic<br>Material ABS   |
| Dimensions (L/W/H) (mm) | 85 x 85 x 27  |
| Color                   | Pure white (similar to RAL9010)                                   |
| Electrical connection   | 0.14 - 1.5 mm <sup>2</sup> , via screw terminals on circuit board |

| Ambient conditions       |                                     |
|--------------------------|-------------------------------------|
| Ambient temperature      | -30 °C to +70 °C                    |
| Permissible air humidity | < 95 % r. H., non-precipitating air |

| Certifications / Standards |   |
|----------------------------|---|
| Protection class           | III (nach EN 60 730)  |
| Protection type            | IP 30 according to EN 60 529  |
| Standards                  | CE conformity<br>electromagnetic compatibility according to EN 61326<br>according to EMC Directive 2014/ 30/ EU |

MW / CK / 16.01.2024

## Testo Sensor GmbH

Testo-Straße 1  
D-79853 Lenzkirch

+49 7653 96597-0  
+49 7653 96597-99

info@testo-sensor.de  
www.testo-sensor.de

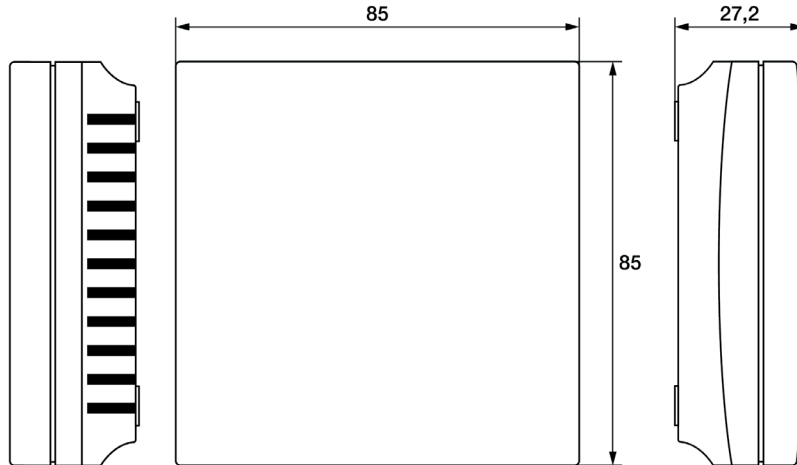
Unser Standard-Portfolio finden Sie in unserem  
Webshop unter: [www.testo-sensor.shop](http://www.testo-sensor.shop)

**Delivery and Packing**

|                |                                      |
|----------------|--------------------------------------|
| Delivery       | Transmitter, Operating instructions  |
| Packing        | individually packed in cardboard box |
| Article number | 801110 1012                          |

**Technical drawing**

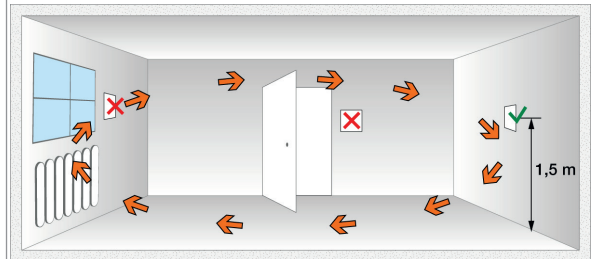
All dimensions in mm



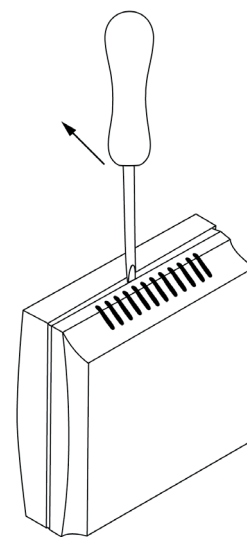
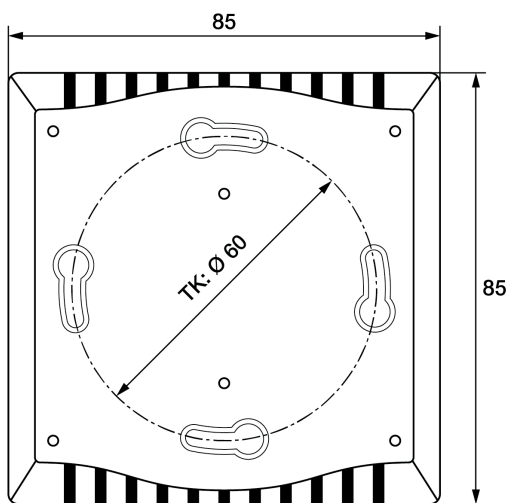
**Important assembly instructions**

For an accurate measurement of the room temperature, it is important to consider the temperature dynamics in the room. Air circulation should only take place through the openings in the housing cover. Therefore, the transmitter should be installed away from objects or obstacles that shield air movement. Please also be sure to avoid uncontrolled air currents (draughts) by installing near doors or windows. In addition, the transmitter should not be mounted on the colder outside wall.

Wall mounting or on flush-mounted box, Ø 55 mm, bottom part with 4-hole, for mounting on vertically or horizontally installed flush-mounted boxes for cable entry at the rear, with predetermined breaking point for cable entry at the top/ bottom for surface-mounted units.

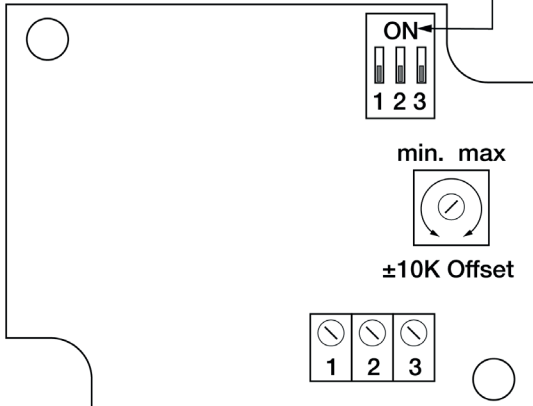
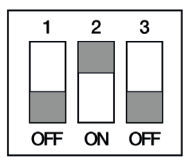


**Drilling template**



MW / CK / 16.01.2024

**Circuit diagrams and assignment (Please also read the operating instructions before connecting the transmitter)**

| Wiring diagram   | Assignment  | Set scaling via DIP switch  |               |    |    |  |       |       |       |               |    |    |    |               |     |    |    |              |    |     |    |              |     |     |    |              |    |    |     |            |     |    |     |            |    |     |     |             |     |     |     |             |
|--|---|---|---------------|----|----|--|-------|-------|-------|---------------|----|----|----|---------------|-----|----|----|--------------|----|-----|----|--------------|-----|-----|----|--------------|----|----|-----|------------|-----|----|-----|------------|----|-----|-----|-------------|-----|-----|-----|-------------|
| <p><b>DIP-Schalter Messbereichumschaltung</b><br/><b>DIP switches Measuring range changeover</b></p>  | <p>1 = +UB 24 V DC<br/>2 = Output temperature 4-20 mA (°C)<br/>3 = n.c.</p> <p><b>Default configuration</b></p> <p>Werkseinstellungen:<br/>Skalierung: 0 .. 50 °C</p>  | <p><b>Messbereichumschaltung via DIP-Schalter</b><br/><b>Changing measuring range via DIP switches</b></p> <table border="1"> <thead> <tr> <th>on</th> <th>on</th> <th>on</th> <th></th> </tr> <tr> <th>DIP 1</th> <th>DIP 2</th> <th>DIP 3</th> <th>Scaling Range</th> </tr> </thead> <tbody> <tr> <td>on</td> <td>on</td> <td>on</td> <td>-20 .. +150°C</td> </tr> <tr> <td>off</td> <td>on</td> <td>on</td> <td>-50 .. +50°C</td> </tr> <tr> <td>on</td> <td>off</td> <td>on</td> <td>-20 .. +80°C</td> </tr> <tr> <td>off</td> <td>off</td> <td>on</td> <td>-30 .. +60°C</td> </tr> <tr> <td>on</td> <td>on</td> <td>off</td> <td>0 .. +40°C</td> </tr> <tr> <td>off</td> <td>on</td> <td>off</td> <td>0 .. +50°C</td> </tr> <tr> <td>on</td> <td>off</td> <td>off</td> <td>0 .. +100°C</td> </tr> <tr> <td>off</td> <td>off</td> <td>off</td> <td>0 .. +150°C</td> </tr> </tbody> </table> | on            | on | on |  | DIP 1 | DIP 2 | DIP 3 | Scaling Range | on | on | on | -20 .. +150°C | off | on | on | -50 .. +50°C | on | off | on | -20 .. +80°C | off | off | on | -30 .. +60°C | on | on | off | 0 .. +40°C | off | on | off | 0 .. +50°C | on | off | off | 0 .. +100°C | off | off | off | 0 .. +150°C |
| on   | on  | on  |               |    |    |  |       |       |       |               |    |    |    |               |     |    |    |              |    |     |    |              |     |     |    |              |    |    |     |            |     |    |     |            |    |     |     |             |     |     |     |             |
| DIP 1  | DIP 2   | DIP 3   | Scaling Range |    |    |  |       |       |       |               |    |    |    |               |     |    |    |              |    |     |    |              |     |     |    |              |    |    |     |            |     |    |     |            |    |     |     |             |     |     |     |             |
| on   | on  | on  | -20 .. +150°C |    |    |  |       |       |       |               |    |    |    |               |     |    |    |              |    |     |    |              |     |     |    |              |    |    |     |            |     |    |     |            |    |     |     |             |     |     |     |             |
| off  | on  | on  | -50 .. +50°C  |    |    |  |       |       |       |               |    |    |    |               |     |    |    |              |    |     |    |              |     |     |    |              |    |    |     |            |     |    |     |            |    |     |     |             |     |     |     |             |
| on   | off   | on  | -20 .. +80°C  |    |    |  |       |       |       |               |    |    |    |               |     |    |    |              |    |     |    |              |     |     |    |              |    |    |     |            |     |    |     |            |    |     |     |             |     |     |     |             |
| off  | off   | on  | -30 .. +60°C  |    |    |  |       |       |       |               |    |    |    |               |     |    |    |              |    |     |    |              |     |     |    |              |    |    |     |            |     |    |     |            |    |     |     |             |     |     |     |             |
| on   | on  | off   | 0 .. +40°C    |    |    |  |       |       |       |               |    |    |    |               |     |    |    |              |    |     |    |              |     |     |    |              |    |    |     |            |     |    |     |            |    |     |     |             |     |     |     |             |
| off  | on  | off   | 0 .. +50°C    |    |    |  |       |       |       |               |    |    |    |               |     |    |    |              |    |     |    |              |     |     |    |              |    |    |     |            |     |    |     |            |    |     |     |             |     |     |     |             |
| on   | off   | off   | 0 .. +100°C   |    |    |  |       |       |       |               |    |    |    |               |     |    |    |              |    |     |    |              |     |     |    |              |    |    |     |            |     |    |     |            |    |     |     |             |     |     |     |             |
| off  | off   | off   | 0 .. +150°C   |    |    |  |       |       |       |               |    |    |    |               |     |    |    |              |    |     |    |              |     |     |    |              |    |    |     |            |     |    |     |            |    |     |     |             |     |     |     |             |

MW / CK / 16.01.2024

**Testo Sensor GmbH**

Testo-Straße 1  
D-79853 Lenzkirch

+49 7653 96597-0  
+49 7653 96597-99

info@testo-sensor.de  
www.testo-sensor.de

Unser Standard-Portfolio finden Sie in unserem  
Webshop unter: [www.testo-sensor.shop](http://www.testo-sensor.shop)