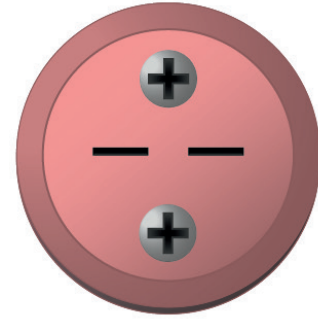


Mini-TC built-in coupling round type N

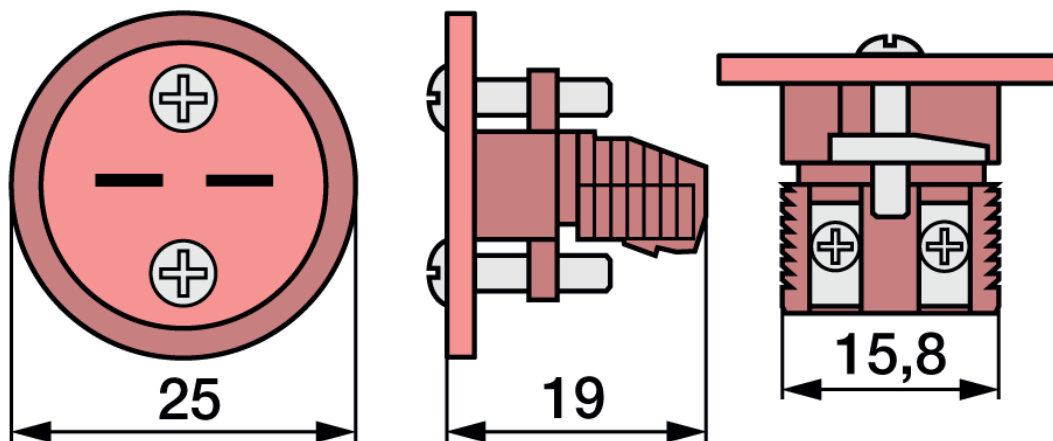
Article no.: 809170 3000

Mini-TC built-in coupling round type N is made of Glass fiber filled plastic. Perm. range °C up to max. 220 °C. Suitable for Type N, NiCrSi-NiSi (pink according to DIN EN 60584).



Technical details	
Suitable for	Type N, NiCrSi-NiSi (pink according to DIN EN 60584)
Perm. range °C	max. 220 °C
Housing	Glass fiber filled plastic
Conductor diameter	Clamps up to 0,6 mm Ø
Electrical connection	from solid material, original thermocouple materials
Reverse polarity protection	due to different contact pin diameters
Diameter hole (mm)	17,5
Board thickness (mm)	max. 5
Length (mm)	25
Height (mm)	19
Scope of delivery	Mini-TC built-in coupling round type N, packed in PE bag

Technical drawing



CK / MWA / 09.04.2024

Testo Sensor GmbH

Testo-Straße 1
D-79853 Lenzkirch

+49 7653 96597-71

webshop@testo-sensor.de

Please find our whole temperature probe and transmitter portfolio in our webshop at: www.testo-sensor.shop

Managing Director: Prof. Burkart Knospe, Martin Arndt, Timo Löffler

Amtsgericht Freiburg HRB 706025 | Umsatzsteuer-ID.: DE274417683