

Pressure transmitter ceramic 0-10 V with display

Article number: 801513 4033

The ceramic 0-10 V pressure transmitter with display is designed for reliable relative pressure measurement where on-site monitoring is crucial. It combines high accuracy and overpressure resistance with a flexible, rotatable and tiltable LCD display for direct process monitoring. Please note that due to the ceramic measuring cell, it is not suitable for ammonia or freons.



Supply and output	
Output	0 - 10 V (3-Wire)
Load	> 10kOhm
Insulation resistance	500 V DC
Voltage supply	24 V AC / DC
Power input	< 7 mA

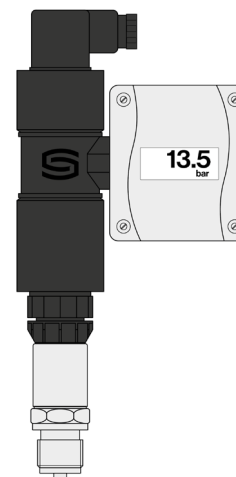
Pressure	
Pressure type	Relative pressure
Measuring principle	Ceramic measuring cell (no separate pressure transmitter required)
Pressure range	See table
Accuracy pressure	± 0,3 % of the final value
Response time	2 ms (typ. 1 ms)
Burst pressure / Overload	< 4 bar: 3 x full scale = end value (measuring range); > 4 bar: 2.5 x full scale
Temperature behavior	± 0,02 % per Kelvin

Body	
Material	Stainless steel 1.4305 SUS 303
Color	Black
Dimensions (L/W/H) (mm)	217 x 117 x 43,3
Wetted parts	Pressure connection made of stainless steel V2A (1.4305); measuring element made of ceramic Al2O3 (96%); sealing material made of FPM (Viton)
Pressure connection	G1/2", back-seating
Electrical connection	0.25 - 1.5 mm ² , via plug connector DIN EN 175301-803-A (included in the scope of delivery)

Display module	
Material	Plastic, UV-resistant, Material: PC/ABS, 30% glass bead reinforced
Color	Black (similar to RAL9004)
Dimensions (L/W/H) (mm)	72 x 67 x 43,3
Closure	with quick-release screws

Configurable options

P-Pressure range



Display	
Cut-out (B/H) (mm)	ca. 36 x 15
Display content	Pressure [bar] [kPa] [psi] [inWC] [mWC] [atm], voltage [V] or current [mA]
System of units	SI and Imperial (display configurable)
Display module can be rotated and tilted, For displaying the actual pressure, min/max pressure or standard signal of the sensor	

Ambient conditions	
Storage temperature	-50 °C to +100 °C
Ambient temperature	-30 °C to +85 °C
Medium	liquid and gaseous
Medium temperature	-15 °C to +125 °C
Long-term stability	± 0.25% of full scale/year

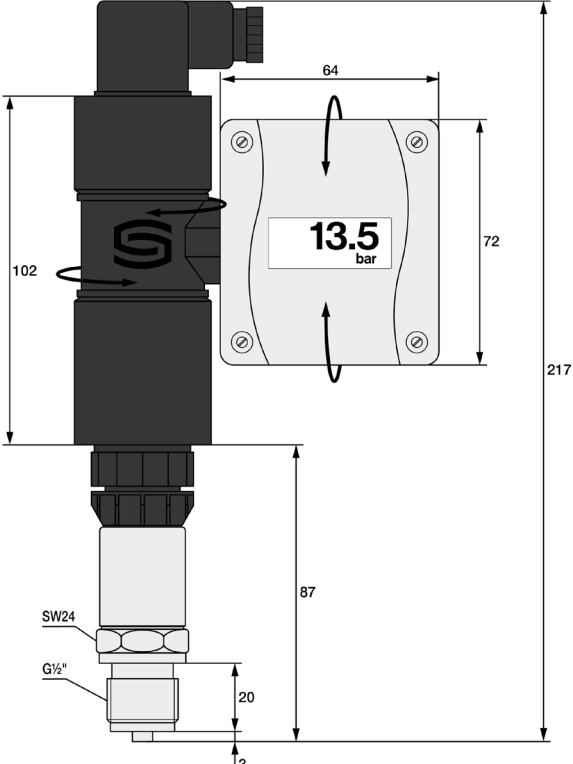
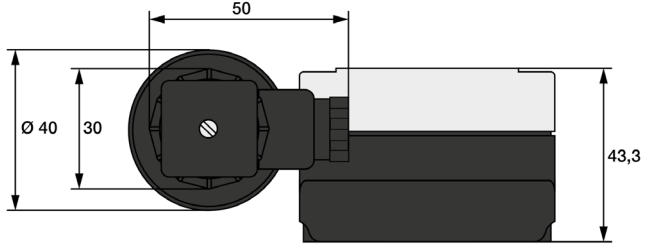
Certifications / Standards	
Protection class	III (according to EN 60 730)
Protection type	IP 65 according to EN 60 529
Standards	CE conformity, according to EMC Directive 2014/ 30/ EU
Tests	Drinking water approval according to NSF/ANSI 61/372, UL certified according to ANSI/UL 61010-1
Shock acc. to IEC 68-2-27	100 g, 11 ms, half sine wave, all 6 directions, free fall from 1 m onto concrete (6x)
Continuous shock acc. to IEC 68-2-29	40 g over 6 ms, 1000x all 3 directions
Vibration acc. to IEC 68-2-6	20 g, 15 to 2000 Hu, 15 to 25 Hz with amplitude ± 15 mm, 1 octave/minute all 3 directions, 50 continuous loads

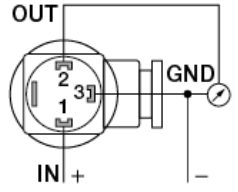
Delivery and Packing	
Delivery	Transmitter, Operating instructions
Packing	individually packed in cardboard box

Your order code	P - Pressure range		
Article number	Pressure range	code	Pressure range
801513 4033	P_____	P0060 bar	0 bar to 6 bar
		P0100 bar	0 bar to 10 bar
		P0160 bar	0 bar to 16 bar

MW / KC 22.09.2025

Testo Sensor GmbH

Technical drawing	Top view
	 <p data-bbox="805 627 1125 660">Important assembly instructions</p> <p data-bbox="805 750 1436 929">Installation is carried out by screwing the transmitter directly into the pressure line via the G1/2" process connection. The electrical connection is conveniently and quickly made using the DIN connector supplied, which ensures simple and safe commissioning. The display module can be rotated and tilted and can be aligned for optimum readability. Before commissioning, check the pressure and electrical connections for leaks and correct connection.</p> <p data-bbox="1252 1030 1460 1064" style="text-align: right;">All dimensions in mm</p>

Circuit diagrams and assignment (Please also read the operating instructions before connecting the transmitter)	
Schaltbild	Assignment
	<p data-bbox="805 1176 1125 1209">1 = Supply voltage UB+ 24V AC/DC</p> <p data-bbox="805 1209 1053 1243">2 = Output pressure 0-10 V</p> <p data-bbox="805 1243 893 1276">3 = GND</p>

MW / KC 22.09.2025

Testo Sensor GmbH

+49 7653 96597-71 Managing Director: Peter Kräuter, Timo Löffler
 Testo-Straße 1 webshop@testo-sensor.de Amtsgericht Freiburg HRB 706025 | Umsatzsteuer-ID.: DE274417683
 D-79853 Lenzkirch Please find our whole temperature probe and transmitter portfolio in our webshop at: www.testo-sensor.shop