

# Outdoor temperature transmitter 0-10 V

Article number: 801012 1013

Our outdoor transmitter with voltage output 0-10 V has the sensor in an external protective tube. The 0-10 V outdoor temperature transmitter with the plastic housing with quick-locking screws has eight switchable measuring ranges and either a cable gland or an M12 connector in accordance with DIN EN 61076-2-101.



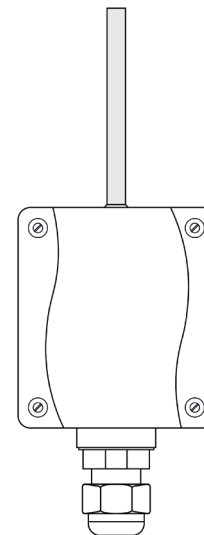
Kabelverschraubung  
Cable gland



M12 Verbinder  
M12 Plug connector

#### Configurable options

K - Screw connection



| Supply and output |  |
|-------------------|--|
| Output            | 0 - 10 V                                 |
| Power consumption | < 1,0 VA / 24 V DC; < 2,2 VA ?   24 V AC |
| Voltage supply    | 24 V AC / DC (± 10 %)                    |
| Connection type   | 3-Wire                                   |

| General information   |  |
|-----------------------|--|
| Measuring range       | multi-range switching with 8 switchable measuring ranges<br>Operating range: -30 °C to 70 °C<br>with manual zero point correction (± 10 K) |
| Sensor                | Pt1000, DIN EN 60751, Class B  |
| Temperature deviation | typically ± 0.2 K at +25 °C  |
| Load resistance       | RI > 5 kOhm  |
| Process connection    | by screws  |

| Gehäuse                 |   |
|-------------------------|---|
| Material                | Plastic, UV-resistant<br>Material polyamide, 30 % glass bead reinforced |
| Dimensions (L/W/H) (mm) | 72 x 64 x 37,8  |
| Color                   | Traffic white (similar to RAL9016)                                      |
| Electrical connection   | 0.14 - 1.5 mm <sup>2</sup> , via screw terminals on circuit board       |
| Closure                 | with quick release screws   |

| Protection sleeve |                                |
|-------------------|--------------------------------|
| Material          | Stainless steel 1.4571   316Ti |
| Ø (mm)            | 6                              |
| Length (mm)       | 65                             |

| Ambient conditions  |                  |                          |                                     |
|---------------------|------------------|--------------------------|-------------------------------------|
| Ambient temperature | -30 °C to +70 °C | Permissible air humidity | < 95 % r. H., non-precipitating air |

| Certifications / Standards |                              |           |   |
|----------------------------|------------------------------|-----------|---|
| Protection class           | III (nach EN 60 730)         | Standards | CE conformity<br>electromagnetic compatibility according to EN 61326<br>according to EMC Directive 2014/ 30/ EU |
| Protection type            | IP 65 according to EN 60 529 |           |   |

MW / KS / 07.12.2023

#### Testo Sensor GmbH

Testo-Straße 1  
D-79853 Lenzkirch

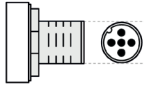
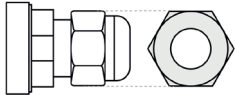
+49 7653 96597-0  
+49 7653 96597-99

info@testo-sensor.de  
www.testo-sensor.de

Unser Standard-Portfolio finden Sie in unserem  
Webshop unter: [www.testo-sensor.shop](http://www.testo-sensor.shop)

**Delivery and Packing**

|          |                                     |
|----------|-------------------------------------|
| Delivery | Transmitter, Operating instructions |
| Packing  | individually packed in PE bag       |

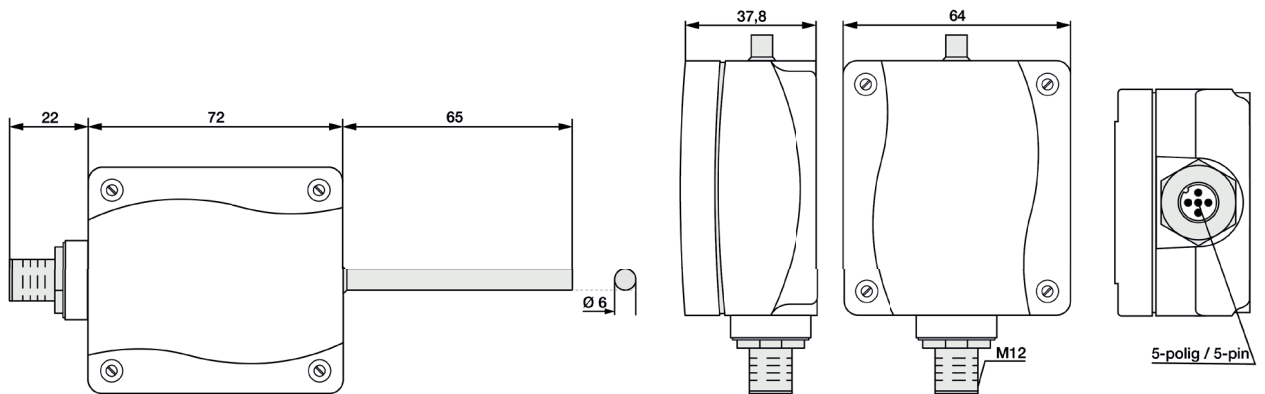
| Your order code |                  | K - Screw connection |   |   |
|-----------------|------------------|----------------------|---|---|
| Article number  | Screw connection | code                 | Screw connection  | Technical drawing   |
| 801012 1013     | K_____           | K1                   | M12 plug connector, Acc. DIN EN 617076-2-101                                    |  |
|                 |                  | K3                   | Cable gland, Plastic, M16x1,5, Strain relief, replaceable, max. 10,4 mm Ø Inner |  |

**Technical drawing**

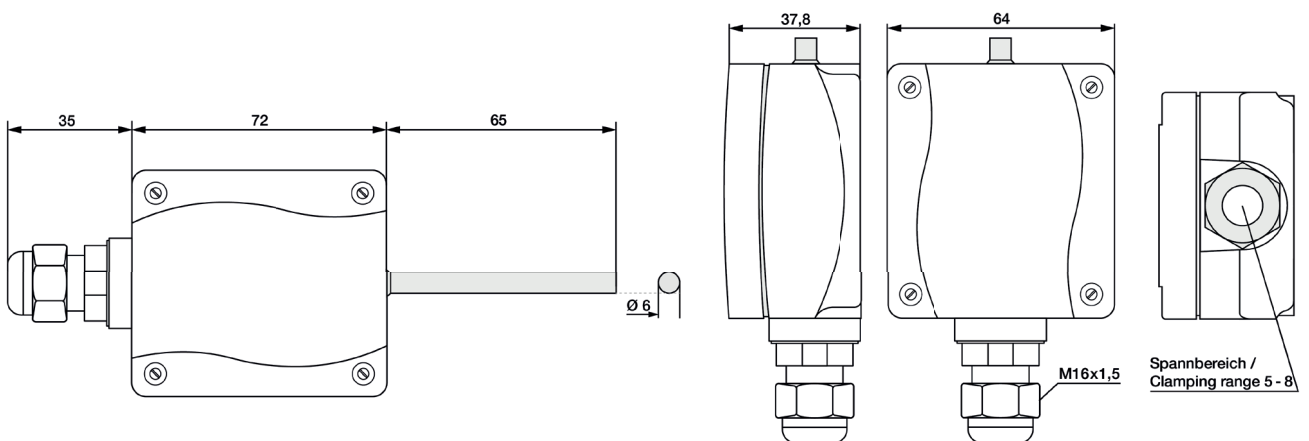
**Configurable options**  
K - Screw connection

All dimensions in mm

**K1 - M12 plug connector**



**K3 - Cable gland**



MM / KS / 07.12.2023

**Testo Sensor GmbH**

Testo-Straße 1  
D-79853 Lenzkirch

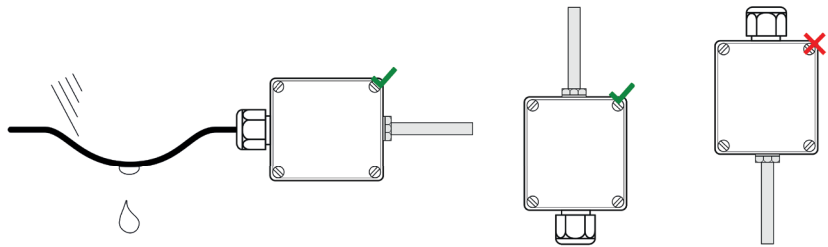
+49 7653 96597-0  
+49 7653 96597-99

info@testo-sensor.de  
www.testo-sensor.de

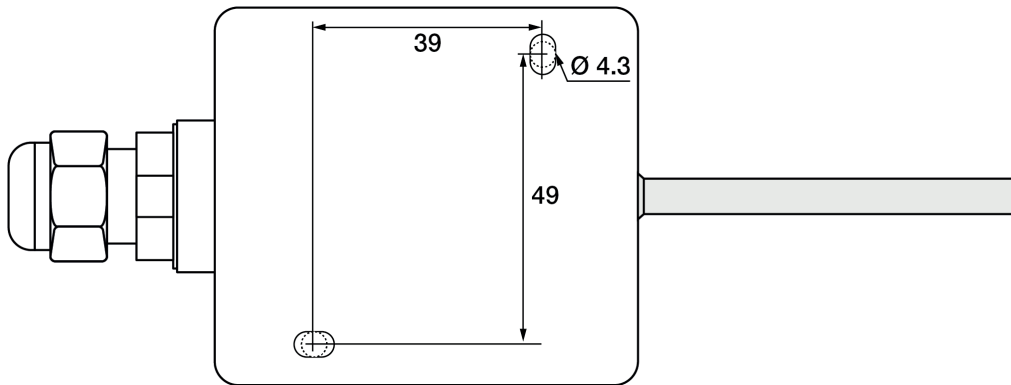
Unser Standard-Portfolio finden Sie in unserem  
Webshop unter: [www.testo-sensor.shop](http://www.testo-sensor.shop)

**Important assembly instructions**

Mount your outdoor transmitter with sufficient distance to vents, windows or doors and preferably on the north wall, alternatively on west or east wall of the building. Avoid direct sunlight and rain. Use Sun Protection if necessary. Please lay the cables downwards so that rainwater can drip off in a defined manner. Please take the permissible ambient conditions into account during installation.



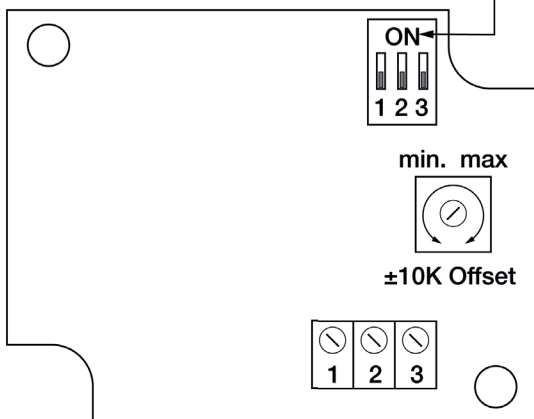
**Drilling template**



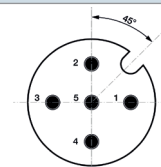
**Circuit diagrams and assignment (Please also read the operating instructions before connecting the transmitter)**

**Wiring diagram**

DIP-Schalter Messbereichumschaltung  
DIP switches Measuring range changeover



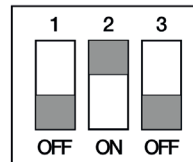
**Pin assignment (M12)**



- 1 = UB 24 V AC/DC
- 2 = Output temperature 0-10 V (°C)
- 3 = free
- 4 = -UB GND
- 5 = Shield

**Default configuration**

Werkseinstellungen:  
Skalierung: 0 .. 50 °C



**Set scaling via DIP switch**

Messbereichumschaltung via DIP-Schalter  
Changing measuring range via DIP switches

| DIP 1 | DIP 2 | DIP 3 | Scaling Range |
|-------|-------|-------|---------------|
| on    | on    | on    | -20 .. +150°C |
| off   | on    | on    | -50 .. +50°C  |
| on    | off   | on    | -20 .. +80°C  |
| off   | off   | on    | -30 .. +60°C  |
| on    | on    | off   | 0 .. +40°C    |
| off   | on    | off   | 0 .. +50°C    |
| on    | off   | off   | 0 .. +100°C   |
| off   | off   | off   | 0 .. +150°C   |

**Assignment**


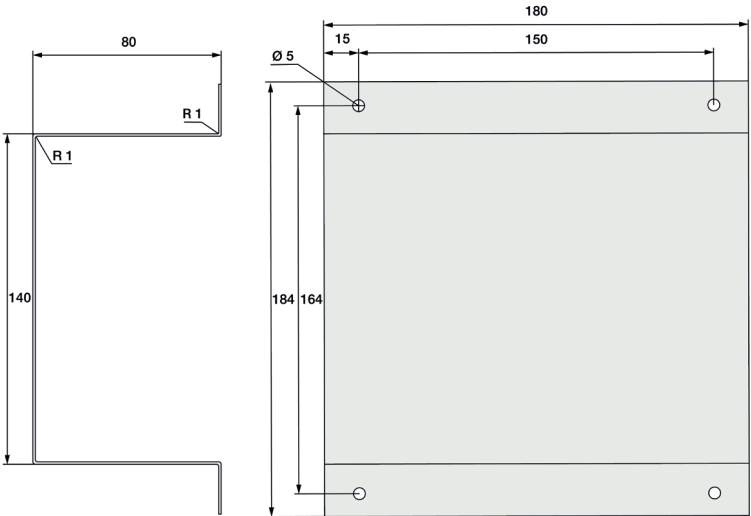
- 1 = +UB 24 V AC/DC
- 2 = Output temperature 0-10 V(°C)
- 3 = -UB GND


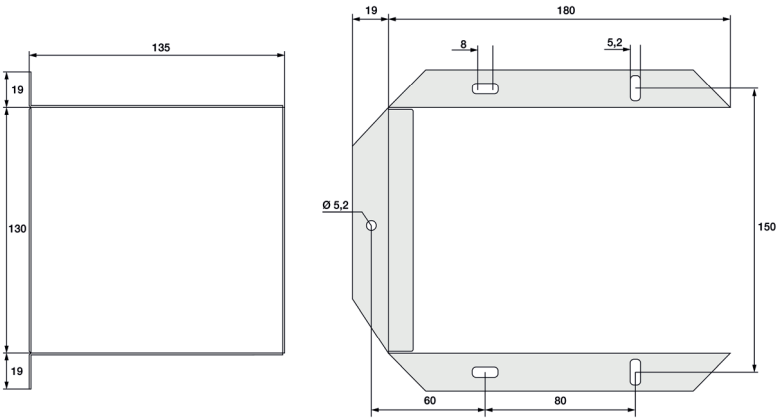
Please also read the operating instructions before connecting the transmitter

MW / KS / 07.12.2023

# Accessories

## Sun Protection

| Sun Protection WS-01  |  |
|---|--|
| Article image   | Technical drawing  |
|  |  |
| <b>Your order code</b>  |  |
| <b>Article number</b>   | <b>809510 3000</b>   |
| Material  | Stainless steel 1.4301   SUS 304   |
| Dimension (L/W/H) (mm)  | 184 x 180 x 80   |
| Material thickness (mm)   | 1  |
| Fastening   | 4 x Ø 5 mm drill holes   |

| Sun Protection WS-04  |  |
|---|--|
| Article image   | Technical drawing  |
|  |  |
| <b>Your order code</b>  |  |
| <b>Article number</b>   | <b>809510 4000</b>   |
| Material  | Stainless steel 1.4301   SUS 304   |
| Dimension (L/W/H) (mm)  | 130 x 180 x 135  |
| Material thickness (mm)   | 1  |
| Fastening   | 5 x Ø 5,2 mm drill holes   |

MW / KS / 07.12.2023