

# Average value transmitter with display 0-10 V

## Article number: 803712 3013

Our average value transmitter has the voltage output 0-10 V and a plastic housing. The average value transmitter with display 0-10 V has eight switchable measuring ranges and a protective tube made of copper with plastic coating. Using the high-quality rod, he measures the average value transmitter of the temperature over the entire cross-section.



Supply and output	
Output	0 - 10 V
Power consumption	< 1,0 VA / 24 V DC; < 2,2 VA / 24 V AC
Voltage supply	24 V AC / DC (± 10 %)
Connection type	3-Wire

General information	
Measuring range	multi-range switching with 8 switchable measuring ranges -30 °C to 80 °C with manual zero point correction (± 10 K)
Sensor	Pt1000, DIN EN 60751, Class B
Load resistance	RI > 5 kOhm
Process connection	by means of plastic mounting flange and mounting brackets

Housing	
Material	Plastic, UV-resistant Material polyamide, 30 % glass bead reinforced
Dimensions (L/W/H) (mm)	Aluminum die casting
Color	Traffic white (similar to RAL9016)
Electrical connection	0.14 - 1.5 mm <sup>2</sup> , via screw terminals on circuit board
Closure	with quick release screws

Display	
Display	Two lines, lighted For display of actual temperature and self-diagnostics (overrange, underrange, probe break, probe short-circuit)
Cut-out Display (B/H) (mm)	ca. 36 x 15

Rod	
Ø (mm)	5
Rod material	Rod made of copper with plastic coating
Material protection sleeve	> 35 mm
Rod material	KGZ 0,5 g
Rod material	< 480 N

Ambient conditions	
Ambient temperature	-30 °C to +70 °C
Permissible air humidity	< 95 % r. H., non-precipitating air

Certifications / Standards	
Protection class	III (nach EN 60 730)
Protection type	IP 65 according to EN 60 529
Standards	CE conformity, electromagnetic compatibility according to EN 61326 according to EMC Directive 2014/ 30/ EU

### Configurable options

F - Rod length (m)



MW / KS / 15.12.2023

## Testo Sensor GmbH

Testo-Straße 1  
D-79853 Lenzkirch

+49 7653 96597-0  
+49 7653 96597-99

info@testo-sensor.de  
www.testo-sensor.de

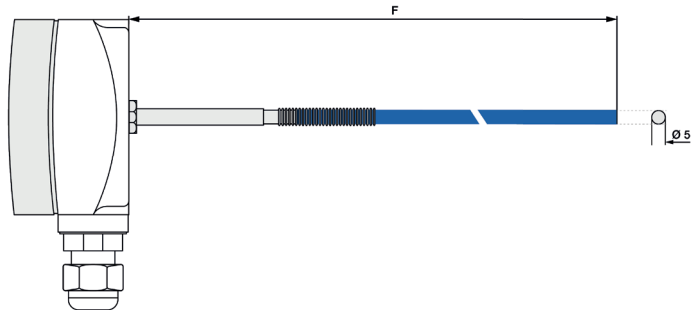
Unser Standard-Portfolio finden Sie in unserem  
Webshop unter: [www.testo-sensor.shop](http://www.testo-sensor.shop)

**Delivery and Packing**

Delivery	Transmitter, Flange plastic, Mounting clips galvanized steel , Operating instructions
Packing	individually packed in PE bag

**Your order code**

Article number	Rod	Code	Rod length (m)
803712 3013	F_____	F1	0,4
		F2	3
		F3	6

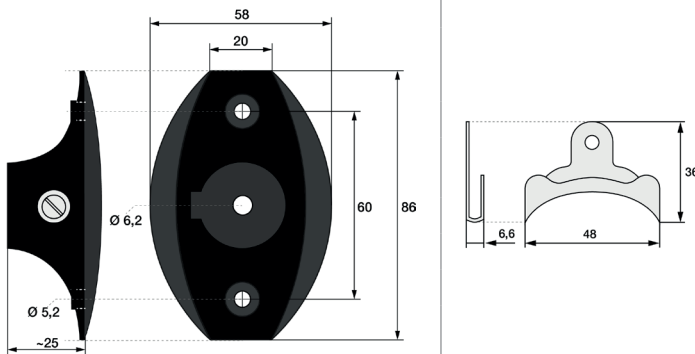


**Flange plastic MF-06-K (Included in delivery)**

Article number	809500 6060
Material	Plastic
Mounting	2 x Ø 5,2 mm drill holes
Hole (mm)	Ø 6,2

**Mounting clips galvanized steel MK-05-M (from 3 m rod length 6 pcs. included in delivery)**

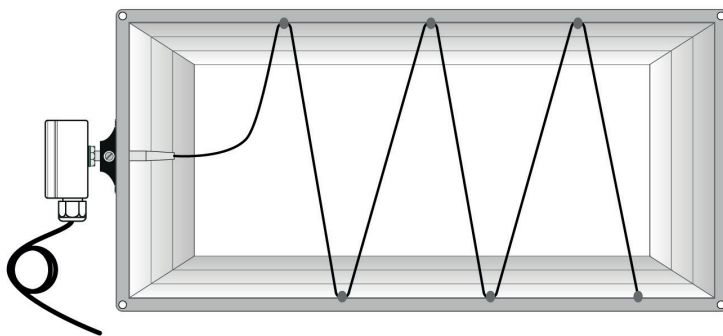
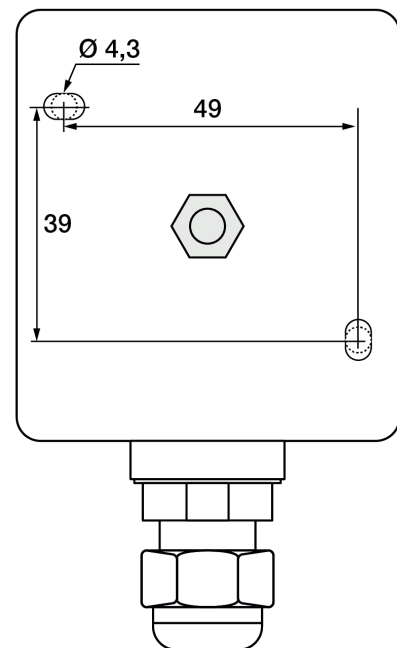
Article number	809990 0004
Material	Steel galvanized
Fastening	1 x Ø 5 mm drill holes



**Important assembly instructions**

Average value transmitters measure the temperature over the entire length of their rod. Please place the transmitter in the air duct at equal distances and keep a bending radius of at least 35°. Fasten the rod with mounting clamps (included in delivery). You will find mounting flanges made of aluminium, plastic or stainless steel as well as compression fittings, mounting clamps and capillary tube bushings on our website. Please lay the cable with a reserve loop. This allows you to extend the probe without disconnecting the electrical connection.

**Drilling template**



MW / KS / 15.12.2023

**Testo Sensor GmbH**

Testo-Straße 1  
D-79853 Lenzkirch

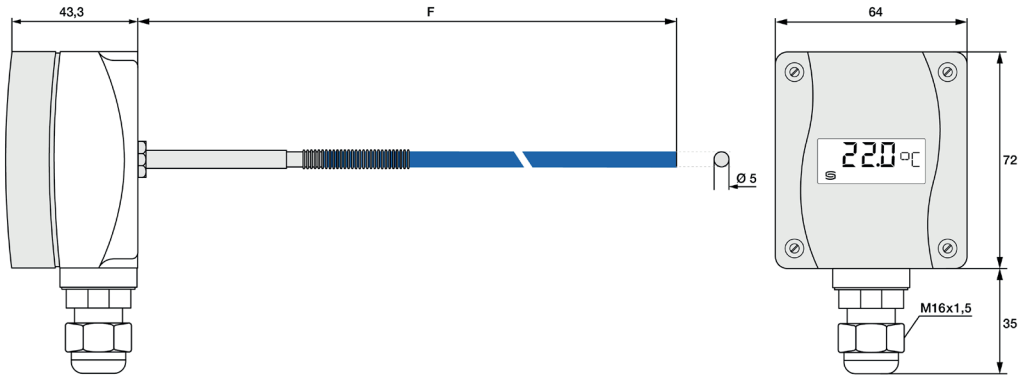
+49 7653 96597-0  
+49 7653 96597-99

info@testo-sensor.de  
www.testo-sensor.de

Unser Standard-Portfolio finden Sie in unserem  
Webshop unter: [www.testo-sensor.shop](http://www.testo-sensor.shop)

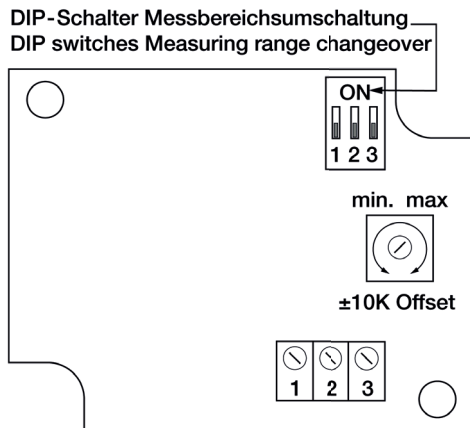
**Technical drawing**

F - Rod length (m) All dimensions in mm



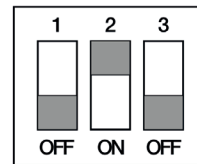
**Circuit diagrams and assignment (Please also read the operating instructions before connecting the transmitter)**

**Wiring diagram**



**Default configuration**

Werkseinstellungen:  
Skalierung: 0 .. 50 °C



**Assignment**

- 1 = +UB 24 V AC/DC
- 2 = Output temperature 0-10 V(°C)
- 3 = -UB GND

**Set scaling via DIP switch**

Messbereichumschaltung via DIP-Schalter  
Changing measuring range via DIP switches

on	on	on	
DIP 1	DIP 2	DIP 3	Scaling Range
on	on	on	-20 .. +150°C
off	on	on	-50 .. +50°C
on	off	on	-20 .. +80°C
off	off	on	-30 .. +60°C
on	on	off	0 .. +40°C
off	on	off	0 .. +50°C
on	off	off	0 .. +100°C
off	off	off	0 .. +150°C

MW / KS / 15.12.2023

**Testo Sensor GmbH**

Testo-Straße 1  
D-79853 Lenzkirch

+49 7653 96597-0  
+49 7653 96597-99

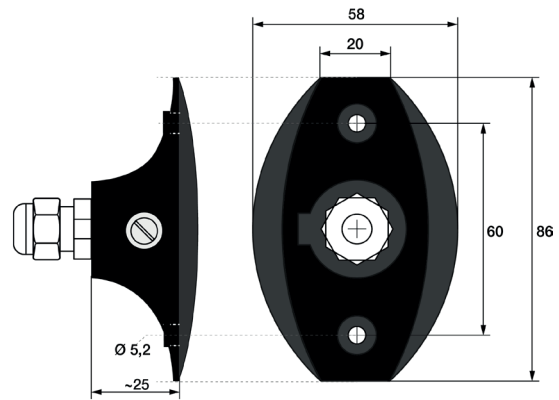
info@testo-sensor.de  
www.testo-sensor.de

Unser Standard-Portfolio finden Sie in unserem  
Webshop unter: [www.testo-sensor.shop](http://www.testo-sensor.shop)

# Accessoires: Mounting flanges

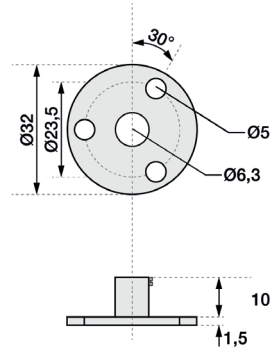
## Capillary tube bushing plastic KRD-04

Article number	809990 0003
Material	Plastic
Fastening	2 x Ø 5,2 mm drill holes
Capillary tube bushing	M 16 x 1,5



## Stainless steel flange MF-06-M

Article number	809500 5060
Material	Stainless Steel
Fastening	3 x Ø 5 mm drill holes
Hole (mm)	6,3



MW / KS / 15.12.2023

### Testo Sensor GmbH

Testo-Straße 1  
D-79853 Lenzkirch

+49 7653 96597-0  
+49 7653 96597-99

info@testo-sensor.de  
www.testo-sensor.de

Unser Standard-Portfolio finden Sie in unserem  
Webshop unter: [www.testo-sensor.shop](http://www.testo-sensor.shop)