

Pressure transmitter 4-20 mA

Article number: 801513 1032

The 4-20 mA pressure transmitter was developed for harsh industrial applications and guarantees reliable relative pressure measurement in demanding systems. Its seal-free welded stainless steel measuring cell offers maximum media compatibility, while the interference-free 4-20 mA signal ensures error-free transmission over long distances. UL approval confirms its suitability for use in safety-related industrial processes.



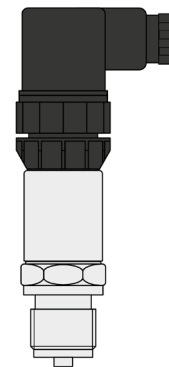
Supply and output	
Output	4 - 20 mA (2-Wire)
Load	$R_a \text{ (Ohm)} = (U_b - 7 \text{ V}) / 0,02 \text{ A}$
Insulation resistance	500 V DC
Voltage supply	7 - 33 V DC
Power input	< 23 mA

Pressure	
Pressure type	Relative pressure
Measuring principle	Steel measuring cell (no separate pressure transmitter required)
Pressure range	See table
Accuracy pressure	$\pm 0,3 \%$ of the final value
Response time	2 ms (typ. 1 ms)
Burst pressure	< 6 bar: 10 x full scale; > 6 bar: 6 x full scale (max. 2500 bar)
Overload	< 6 bar: 5 x FS; > 6 bar: 3 x FS (max. 1500 bar)
Temperature behavior	$\pm 0,02 \%$ per Kelvin

Body	
Material	Stainless steel 1.4305 SUS 303
Color	Black
Dimensions (L/W/H) (mm)	115 x 40 x 30
Wetted parts	Stainless steel V2A (1.4305)
Pressure connection	G1/2", back-seating
Electrical connection	0.25 - 1.5 mm ² , via plug connector DIN EN 175301-803-A (included in the scope of delivery)

Configurable options

P-Pressure range



Ambient conditions	
Storage temperature	-50 °C to +100 °C
Ambient temperature	-30 °C to +85 °C
Medium	liquid and gaseous
Medium temperature	-40 °C to +135 °C
Long-term stability	± 0.25% of full scale/year

Certifications / Standards	
Protection class	III (according to EN 60 730)
Protection type	IP 65 according to EN 60 529
Standards	CE conformity, according to EMC Directive 2014/ 30/ EU
Tests	Drinking water approval according to NSF/ANSI 61/372, UL certified according to ANSI/UL 61010-1
Shock acc. to IEC 68-2-27	100 g, 11 ms, half sine wave, all 6 directions, free fall from 1 m onto concrete (6x)
Continuous shock acc. to IEC 68-2-29	40 g over 6 ms, 1000x all 3 directions
Vibration acc. to IEC 68-2-6	20 g, 15 to 2000 Hu, 15 to 25 Hz with amplitude ± 15 mm, 1 octave/minute all 3 directions, 50 continuous loads

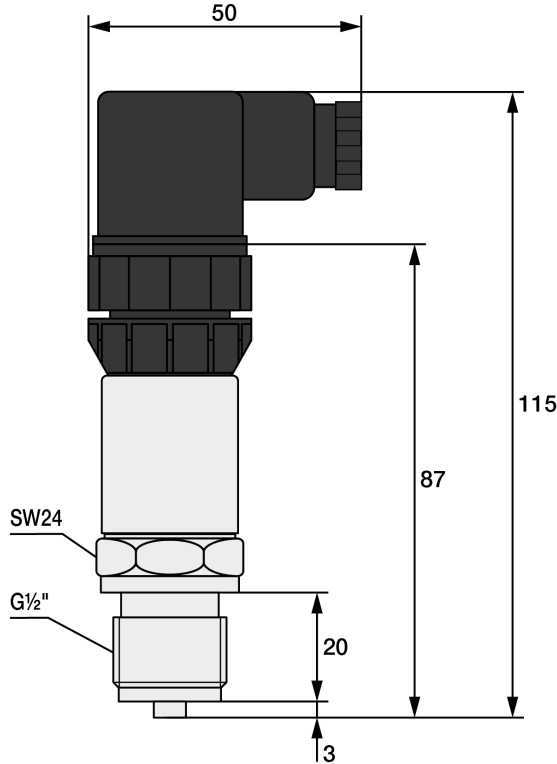
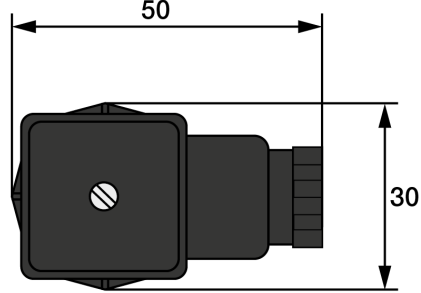
Delivery and Packing	
Delivery	Transmitter, Operating instructions
Packing	individually packed in cardboard box

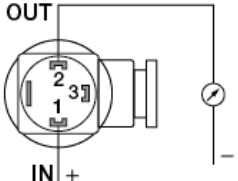
Your order code	P - Pressure range		
Article number	Pressure range	code	Pressure range
801513 1032	P_____	P0010	0 bar to 1 bar
		P0025	0 bar to 2,5 bar
		P0060	0 bar to 6 bar
		P0100	0 bar to 10 bar
		P0160	0 bar to 16 bar
		P0250	0 bar to 25 bar
		P0400	0 bar to 40 bar

MW / KC 22.09.2025

Testo Sensor GmbH

+49 7653 96597-71 Managing Director: Peter Kräuter, Timo Löffler
 Testo-Straße 1 webshop@testo-sensor.de Amtsgericht Freiburg HRB 706025 | Umsatzsteuer-ID.: DE274417683
 D-79853 Lenzkirch Please find our whole temperature probe and transmitter portfolio in our webshop at: www.testo-sensor.shop

Technical drawing	Top view
	 <p data-bbox="805 627 1125 660">Important assembly instructions</p> <p data-bbox="805 772 1428 918">Installation is carried out by screwing the transmitter directly into the pressure line via the G1/2" process connection. The electrical connection is conveniently and quickly made using the DIN plug connector supplied, which ensures simple and safe commissioning. Before commissioning, check the pressure and electrical connections for leaks and correct connection.</p> <p data-bbox="1252 1030 1452 1064" style="text-align: right;">All dimensions in mm</p>

Circuit diagrams and assignment (Please also read the operating instructions before connecting the transmitter)	
Schaltbild	Assignment
	<p data-bbox="805 1176 1093 1198">1 = Supply voltage UB+ 24V DC</p> <p data-bbox="805 1209 1069 1232">2 = Output pressure 4-20 mA</p> <p data-bbox="805 1243 885 1265">3 = Free</p>

MW / KC 22.09.2025