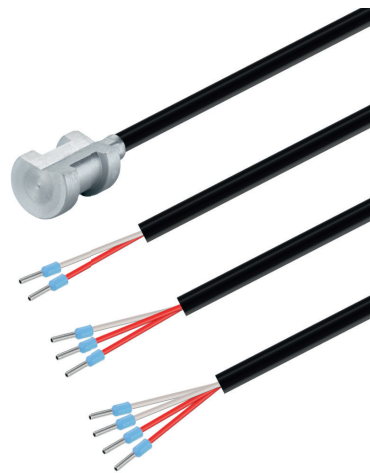


User Manual

Pipe contact probe with PVC cable

Article no.802150 1011



HP / CK 10.06.2024

All rights reserved. Changes to the documents are not allowed. Please read the operating instructions before starting any work and keep them carefully and to hand.

Testo Sensor GmbH

Testo-Straße 1
D-79853 Lenzkirch

+49 7653 96597-71
webshop@testo-sensor.de
Please find our whole temperature probe and transmitter portfolio in our webshop at: www.testo-sensor.shop

Managing Director: Prof. Burkart Knospe, Martin Arndt, Timo Löffler
Amtsgericht Freiburg HRB 706025 | Umsatzsteuer-ID.: DE274417683

1. Table of content

- 1. General 3
 - 1.1. Security 3
 - 1.2. Intended use 3
 - 1.3. Personnel qualification 3
 - 1.4. Signage, safety labels, type plate 4
- 2. Transport, packaging and storage 44
- 3. Commisioning 4
 - 3.1. Assambly 4
 - 3.2. Requirements for achieving the protection class (IP 65) 4
 - 3.3. Drilling template 4
 - 3.4. Pin assignment 5
 - 3.5. Maintenance 5
 - 3.6. Disposal 5
- 4. Technical data and assembly instructions 6
- 5. Characteristics 11

HP / CK 10.06.2024

Testo Sensor GmbH

Testo-Straße 1
D-79853 Lenzkirch

+49 7653 96597-71
webshop@testo-sensor.de
Please find our whole temperature probe and transmitter portfolio in our webshop at: www.testo-sensor.shop

Managing Director: Prof. Burkart Knospe, Martin Arndt, Timo Löffler
Amtsgericht Freiburg HRB 706025 | Umsatzsteuer-ID.: DE274417683

1. General

- The temperature probe described in the operating instructions is manufactured according to the current state of the art. All components are subject to strict quality and environmental criteria during manufacture. Our management systems are certified according to ISO 9001 and ISO 14001. The general terms and conditions in the sales documents apply, subject to technical changes.
- These operating instructions are an important part of the product. It must be available to qualified personnel and must be carefully read and understood before starting any work. Please be sure to comply with all the safety and handling instructions given. In particular, observe the local accident prevention regulations and general safety regulations applicable to the area of use of the product.
- The manufacturer's liability expires in the event of damage caused by improper use, non-observance of the instructions, use of insufficiently qualified personnel and unauthorised modifications to the product.

1.1. Security

WARNING! Before installation, commissioning and operation, please make absolutely sure that the correct temperature probe has been selected with regard to design and specific measuring conditions. Failure to do so may result in serious personal injury and/or damage to property.

- The selection of the products and, in particular, the determination of their suitability for a specific purpose are the sole responsibility of the purchaser, who must also ensure that incorrect planning, operation or installation does not cause any further damage and that compliance with the relevant construction and safety guidelines is observed and guaranteed.
- No liability or warranty is expressly accepted for damage caused by incorrect planning, operation, installation or malfunction of the products.
- The technical data and connection conditions in the supplied installation and operating instructions apply exclusively. Changes are possible in the interests of technical progress and the continuous improvement of our products.

1.2. Intended use

- For the intended use of the probe, please refer to the technical data and the commissioning instructions in the operating instructions. The product is designed and built exclusively for the intended use described there and may only be used accordingly. The technical specifications must be observed. Claims due to improper use are excluded.
- This product must not be used for safety-relevant tasks, such as monitoring or protecting persons against danger or injury, as an emergency stop switch on systems or machines, etc.
- This type of temperature probe has been developed, qualified and manufactured to the highest quality standards. Application-specific environmental or stress conditions can influence the behaviour and lead to deviations from the specifications in the data sheet. To avoid this, we recommend application-specific advice.

Application-specific environmental or stress conditions can be in particular:

- Ingress of humidity, which can lead to falsification of measured values
- Vibration, which causes high acceleration forces
- UV irradiation, which can lead to embrittlement of the cable insulation
- Tensile forces acting on the cable, which can damage the probe's internal structure
- Insufficient thermal coupling to the measured medium, with increased response times as a result
- Impact with excessively high temperatures, which can change or destroy the built-in measuring resistor or electronic components
- Corrosion at the cable ends or the connector contacts, so that measured value falsifications can occur

1.3. Personnel qualification

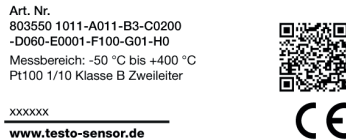
WARNING! - Risk of injury due to insufficient professional qualification! Improper handling can lead to considerable personal injury and damage to property.

- The activities described in these operating instructions may only be carried out by adequately qualified personnel. Special operating conditions may require additional, appropriate knowledge, e.g. about aggressive media, possible dangers or country-specific regulations, standards or guidelines. Please keep unqualified personnel away from the danger areas.

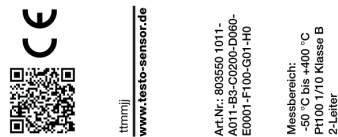
1.4. Signage, safety labels, type plate

Products are labelled as follows. (Exemplary representation)

Label for temperature probes with housing/head



Label for cable probes (attached to the cable as a flag)



2. Transport, packaging and storage

Transport: Please inspect the product for any transport damage immediately after delivery. Please notify us immediately of any obvious damage.

Packaging: Please remove the packaging only immediately before assembly and keep it, as the packaging provides optimum protection during transport.

Storage: The permissible storage temperature is -20 ... +70 °C and the ambient humidity conditions at the storage location should preferably be approx. 20% ... 85% relative humidity; condensation should be avoided.

The following influences should be avoided:

- Direct sunlight or proximity to hot objects
- Mechanical vibration, mechanical shock (hard impact)
- Exposure to soot, steam, dust or corrosive gases
- Explosive environment, flammable atmospheres

Original packaging: Please store the product in the original packaging in a place that meets the conditions listed above. If the original packaging is not available, please pack and store the product as follows:

- Wrap the product in an antistatic plastic sheet.
- Place the product with the insulation material in the packaging.
- For longer storage (more than 30 days), add a bag of desiccant to the packaging.

3. Commissioning

3.1. Assembly

- The products may only be connected in a de-energised state, only to safety extra-low voltages and only by suitably qualified personnel.
- Please observe the safety regulations of the VDE, the federal states, their monitoring bodies, the TÜV and the local EVU. The installation instructions in the data sheet must be observed.
- Please observe EMC guidelines to prevent damage, faults on the product or measured value deviations.

3.2. Requirements for achieving the protection class (IP 65)

- Only use the cable gland in the specified clamping range (select the cable Ø to match the cable gland).
- Do not use the lower clamping area when using very soft cable types.
- Only use round cables (a slightly oval cross-section may also be suitable).
- Do not twist the cable.
- Multiple opening/closing is possible, but can have a negative effect on the protection class.
- For cables with pronounced cold flow behaviour, please tighten the screw connection if necessary.

3.3. Drilling template

You will find the drilling template, if available, in the technical data.

3.4. Pin assignment

The characteristics of our sensors can be found on our website or in the appendix to these operating instructions.

- The products are designed for operation on safety extra-low voltages (SELV).
- For the electrical connection of the products, the technical data of the products apply.
- Especially for passive probes (e.g. Pt100 etc.) in a two-wire circuit, the lead resistance of the supply line must be taken into account in order to correct measured value deviations (offset).
- If necessary, the lead resistance must be corrected in the subsequent electronics.
- Due to self-heating, the measuring current influences the measuring accuracy. Therefore, the measuring current should not be greater than 1 mA.

Wiring diagram				
		Configuration not offered		
2-Wire	3-Wire	3-Wire for DS -Sensors	4-Wire	LM235Z

Connection LM235Z
 The LM235Z sensor is a semiconductor. Attention must be paid to the correct polarity when connecting. The measuring current is between 400 µA und 5 mA, the resolution is 10 mV / K.

3.5. Maintenance

The product is maintenance-free. Repairs may only be carried out by the manufacturer or by qualified personnel.

3.6. Disposal

The product is to be classified as electrical and electronic equipment, so that it must be disposed of as electrical / electronic waste. Alternatively, you can return the product to us for proper disposal. The product should not be disposed of as household waste. Special treatment for special components may be legally mandatory and ecologically sensible. Please also observe the local legislation applicable to disposal.

HP / CK 10.06.2024

4. Technical data and assembly instructions

Pipe contact probe with PVC cable

Article no.802150 1011

Pipe contact probes with aluminum prism measure the surface temperature on curved surfaces such as pipes. The radius of the contact body is particularly suitable for pipes with a diameter of 30 mm - 110 mm. We offer the probes with a PVC or a silicone cable.



Customizable options

- A - Measuring element
- B - Connection Type
- E - Material connection cable
- F - Length connection cable
- G - Connector

General Information	
Measuring range	-30 °C to +105 °C depending on sensor Type and connection cable
Perm. °C range cable	-30 °C to +105 °C
Accuracy	depending on sensor Type
Supply and output	
Max. meas. current	max. 1 mA
Supply voltage	approx. 5 V depending on measurement current
Measurement signal	passive (resistance value)
Ambient conditions	
Protection class	IP54 according DIN 60529
Humidity and moisture condensation resistance	according to application-specific qualification
Certificates and Standards	
Standards	DIN EN 61326-1:2013 DIN EN IEC 63000:2019-05
Directive	RoHS 2011/65/EU 2014/30/EU

A - Measuring element				
Code	Sensor	Accuracy / Tolerance resistance	From (°C) ¹⁾	To (°C) ¹⁾
A012	Pt100	Cl. B dT = ±(0,30 °C + 0,005 t) ¹⁾	-50 °C	+400 °C
A011	Pt100	Cl. A dT = ±(0,15 °C + 0,002 t) ¹⁾	-50 °C	+300 °C
A022	Pt500	Cl. B dT = ±(0,30 °C + 0,005 t) ¹⁾	-70 °C	+500 °C
A032	Pt1000	Cl. B dT = ±(0,30 °C + 0,005 t) ¹⁾	-50 °C	+400 °C
A031	Pt1000	Cl. A dT = ±(0,15 °C + 0,002 t) ¹⁾	-50 °C	+300 °C
A105	NTC 5 kOhm	R25 = 5 KOhm ±1 %	-40 °C	+125 °C
A110	NTC 10 kOhm	R25 = 10 KOhm ±1 %	-40 °C	+125 °C
A120	NTC 20 kOhm	R25 = 20 KOhm ±1 %	-40 °C	+125 °C
A210	Ni1000	-60 °C to 0 °C: dT = ±(0,4 °C + 0,028 · T) 0 °C to +150 °C: dT = ±(0,4 °C + 0,007 · T)	-60 °C	+150 °C
A323	LM235Z	typical ±1 °C	-40 °C	+125 °C
A421	KTY 81-210	R25 = 2 KOhm ±1 %	-50 °C	+150 °C
A411	KTY 81-110	R25 = 1 KOhm ±1 %	-50 °C	+150 °C

B - Connection Type	
Code	Conn. Type
B2	2-Wire (2W)
B3	3-Wire (3W)
B4	4-Wire (4W)

Possible connections			
Sensor	2W	3W	4W
Pt	✓	✓	✓
NTC	✓		
Ni	✓	✓	✓
LM235Z	✓		
KTY	✓		

¹⁾according to IEC 751 / EN 60751 | ²⁾ Perm. range °C | Please note that the measuring range depends on the measuring element and the connecting cable. | Detailed information and the characteristics can be found in our download area.

HP / CK 10.06.2024

Testo Sensor GmbH

Contact body					
Picture	Contact body		Dimensioning		Drawing
	Contact geometry	Prism	Length (mm)	20	
			Total length (mm)	32	
	Material	Aluminium	Ø (mm)	15	
	Contact angle	162°			
We offer other contact bodies on request.					

E - Cable material and configuration connection cable												
Picture	Code	Connection Type	Color	IP	From (°C) ¹⁾	To (°C) ¹⁾	Outside material	Material strand	Color strand	Ø (mm) ²⁾	Q (mm ²) ³⁾	Ω / m ⁴⁾
	E0000	2-Wire	black	IP67	-30	+105	PVC	PVC	rd, wt	4,8	0,22	0,07
	E0001	3-Wire	black	IP67	-30	+105	PVC	PVC	rd, wt, rd	4,8	0,22	0,07
	E0002	4-Wire	black	IP67	-30	+105	PVC	PVC	rd, wt, rd, wt	4,8	0,22	0,07

Insulation resistance: ≥ 100 MOhm at min. 100 VDC | ¹⁾Perm. range °C | ²⁾Tolerance ± 0,2 mm | ³⁾ Tolerance ± 0,03 mm² | ⁴⁾ per single strand

F - Length									G - Connector		
Code	F010	F020	F030	F040	F050	F100	F150	F200	Code	G01	
m	1	2	3	4	5	10	15	20	Feature	Insulated end ferrules (50 mm)	

Other lengths on request

Your order code					
Article no.	Measuring element	Connection Type	Material connection cable	Lenght connection cable	Connector
802150 1011	A_____	B_____	E_____	F_____	G_____

Delivery and Assembly	
Assembly instructions	by means of quick-release strap, clamping range Ø 30 mm to 110 mm.
Delivery and Packaging	Probe, Quick-release strap, Heat-conducting paste, seperatly packaged in PE bag

Important assembly advices

Bei Bedarf isolieren / Insulate if required

Oberfläche sauber und rückstandsfrei / Surface clean and residue-free
Passendes Spannband liegt bei / Matching tension strap enclosed

The surface must be brightly polished and free of residues. Please attach the probe firmly. Use the quick-release strap supplied. Ensure good thermal contact, use the enclosed thermal paste. Depending on the requirements, it may be useful to insulate the probe to minimize the influence of the ambient temperature.

Wärmeleitpaste verwenden! / Use heat-conducting paste!

HP / CK 10.06.2024

Technical drawing

Customizable options

A-Measuring element
B-Connection Type

E-Material connection cable
F-Length connection cable
G-Connector

All dimensions in mm

2-Wire version



3-Wire version



4-Wire version



HP / CK 10.06.2024

Testo Sensor GmbH

Testo-Straße 1
D-79853 Lenzkirch


+49 7653 96597-71
webshop@testo-sensor.de
Please find our whole temperature probe and transmitter portfolio in our webshop at: www.testo-sensor.shop

Managing Director: Prof. Burkart Knospe, Martin Arndt, Timo Löffler
Amtsgericht Freiburg HRB 706025 | Umsatzsteuer-ID.: DE274417683

Matching accessories: Connection cable

<<E-ZB-Material_T_0_0>>

Please select your desired cable first.

Picture	Code	Connection Type	Color	IP	From (°C) ¹⁾	To (°C) ¹⁾	Outside material	Material strand		Q (mm ²) ³⁾	Color strand	Ω / m ⁴⁾
	809200 0	2-Wire	black	IP67	-30	+105	PVC	PVC	4,8	0,22	rd, wt	0,07
	809200 1	3-Wire	black	IP67	-30	+105	PVC	PVC	4,8	0,22	rd, wt, rd	0,07
	809200 2	4-Wire	black	IP67	-30	+105	PVC	PVC	4,8	0,22	rd, wt, rd, wt	0,07

Insulation resistance: ≥ 100 MOhm at min. 100 VDC | ¹⁾Perm. range °C | ²⁾Tolerance ± 0,2 mm | ³⁾Tolerance ± 0,03 mm² | ⁴⁾per single strand | Please also note the connection Type of your selected temperature sensor.

Now please select the length and add the code to the article no. of the cable.

Length (m)	1	2	5	10	20
Code	010	020	050	100	200

Please append these digits to the part number of your desired cable.

Matching accessories: Heat-conducting paste


Heat-conducting paste



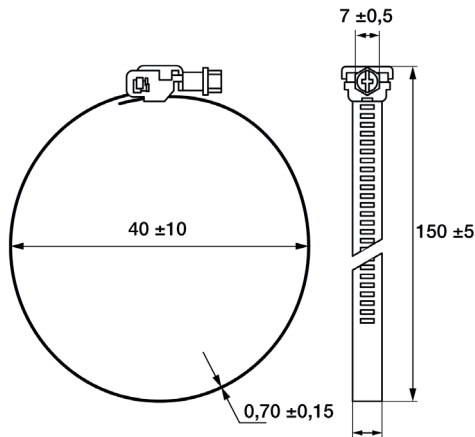
Article no.	809540 1000
Content	10 ml
Thermal conductivity	>2.5 W/mK
Min / Max °C	-30 °C to +280 °C
Thermal resistance	< 0.126

Matching accessories: Quick-release strap

Quick-release strap




Article no.	809550 1000
Clamping range (mm)	Ø 25 to 40
Material	Stainless Steel
Dimensions (L/W) (mm)	150 ¹⁾ / 9 ²⁾
Closure	Screw closure

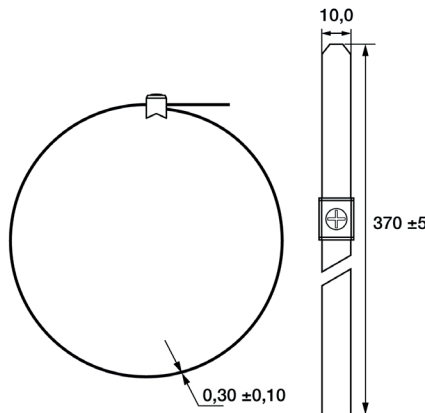


1) ± 5 mm | 2) ± 0,5 mm

Quick-release strap




Article no.	809550 2000
Clamping range (mm)	Ø 30 to 110
Material	Stainless Steel
Dimensions (L/W) (mm)	370 ¹⁾ / 10
Closure	Screw closure

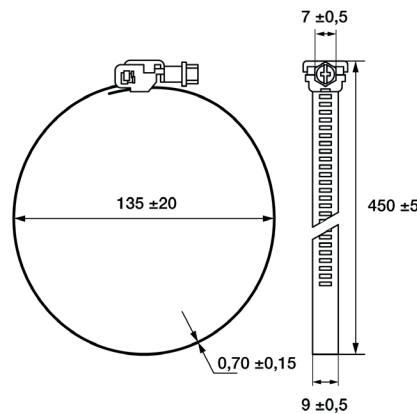


1) ± 5 mm | 2) ± 0,5 mm

Quick-release strap



Article no.	809550 3000
Clamping range (mm)	Ø 25 to 135
Material	Stainless Steel
Dimensions (L/W) (mm)	450 ¹⁾ / 9 ²⁾
Closure	Screw closure



1) ± 5 mm | 2) ± 0,5 mm

HP / CK 10.06.2024

5. Characteristics

HP / CK 10.06.2024

Testo Sensor GmbH

Testo-Straße 1
D-79853 Lenzkirch

+49 7653 96597-71

webshop@testo-sensor.de

Please find our whole temperature probe and transmitter portfolio in our webshop at: www.testo-sensor.shop

Managing Director: Prof. Burkart Knospe, Martin Arndt, Timo Löffler

Amtsgericht Freiburg HRB 706025 | Umsatzsteuer-ID.: DE274417683

Characteristic Pt100

Measuring range: -50 °C to +600 °C

Accuracy class Pt100 according to IEC 751 / EN 60751	
Class	Formula
Cl. B	$dT = \pm(0,30 \text{ °C} + 0,005 t)$
Cl. A	$dT = \pm(0,15 \text{ °C} + 0,002 t)$
Cl. 1/3 DIN	$dT = \pm(1/3 \cdot (0,30 \text{ °C} + 0,005 t))$
Cl. 1/10 DIN	$dT = \pm(1/10 \cdot (0,30 \text{ °C} + 0,005 t))$

Example values		
Value @ T = 0 °C	Value @ T = 25 °C	Value @ T = 50 °C
±0,30 °C	±0,43 °C	±0,55 °C
±0,15 °C	±0,20 °C	±0,25 °C
±0,10 °C	±0,14 °C	±0,18 °C
±0,03 °C	±0,04 °C	±0,06 °C

T °C	R Ω	Max. tol. ± in °C*			
		Cl. B	Cl. A	Cl. 1/3 B	Cl. 1/10 B
-50	80,31	0,55	0,25	0,18	
-49	80,70	0,55	0,25	0,18	
-48	81,10	0,54	0,25	0,18	
-47	81,50	0,54	0,24	0,18	
-46	81,89	0,53	0,24	0,18	
-45	82,29	0,53	0,24	0,18	
-44	82,69	0,52	0,24	0,17	
-43	83,08	0,52	0,24	0,17	
-42	83,48	0,51	0,23	0,17	
-41	83,88	0,51	0,23	0,17	
-40	84,27	0,50	0,23	0,17	
-39	84,67	0,50	0,23	0,17	
-38	85,06	0,49	0,23	0,16	
-37	85,46	0,49	0,22	0,16	
-36	85,85	0,48	0,22	0,16	
-35	86,25	0,48	0,22	0,16	
-34	86,64	0,47	0,22	0,16	
-33	87,04	0,47	0,22	0,16	
-32	87,43	0,46	0,21	0,15	
-31	87,83	0,46	0,21	0,15	
-30	88,22	0,45	0,21	0,15	
-29	88,62	0,45	0,21	0,15	
-28	89,01	0,44	0,21	0,15	
-27	89,40	0,44	0,20	0,15	
-26	89,80	0,43	0,20	0,14	
-25	90,19	0,43	0,20	0,14	
-24	90,59	0,42	0,20	0,14	
-23	90,98	0,42	0,20	0,14	
-22	91,37	0,41	0,19	0,14	
-21	91,77	0,41	0,19	0,14	
-20	92,16	0,40	0,19	0,13	
-19	92,55	0,40	0,19	0,13	
-18	92,95	0,39	0,19	0,13	
-17	93,34	0,39	0,18	0,13	
-16	93,73	0,38	0,18	0,13	

T °C	R Ω	Max. tol. ± in °C*			
		Cl. B	Cl. A	Cl. 1/3 B	Cl. 1/10 B
-15	94,12	0,38	0,18	0,13	
-14	94,52	0,37	0,18	0,12	
-13	94,91	0,37	0,18	0,12	
-12	95,30	0,36	0,17	0,12	
-11	95,69	0,36	0,17	0,12	
-10	96,09	0,35	0,17	0,12	
-9	96,48	0,35	0,17	0,12	
-8	96,87	0,34	0,17	0,11	
-7	97,26	0,34	0,16	0,11	
-6	97,65	0,33	0,16	0,11	
-5	98,04	0,33	0,16	0,11	
-4	98,44	0,32	0,16	0,11	
-3	98,83	0,32	0,16	0,11	
-2	99,22	0,31	0,15	0,10	
-1	99,61	0,31	0,15	0,10	
0	100,00	0,30	0,15	0,10	0,03
1	100,39	0,31	0,15	0,10	0,03
2	100,78	0,31	0,15	0,10	0,03
3	101,17	0,32	0,16	0,11	0,03
4	101,56	0,32	0,16	0,11	0,03
5	101,95	0,33	0,16	0,11	0,03
6	102,34	0,33	0,16	0,11	0,03
7	102,73	0,34	0,16	0,11	0,03
8	103,12	0,34	0,17	0,11	0,03
9	103,51	0,35	0,17	0,12	0,03
10	103,90	0,35	0,17	0,12	0,04
11	104,29	0,36	0,17	0,12	0,04
12	104,68	0,36	0,17	0,12	0,04
13	105,07	0,37	0,18	0,12	0,04
14	105,46	0,37	0,18	0,12	0,04
15	105,85	0,38	0,18	0,13	0,04
16	106,24	0,38	0,18	0,13	0,04
17	106,63	0,39	0,18	0,13	0,04
18	107,02	0,39	0,19	0,13	0,04
19	107,41	0,40	0,19	0,13	0,04

T °C	R Ω	Max. tol. ± in °C*			
		Cl. B	Cl. A	Cl. 1/3 B	Cl. 1/10 B
20	107,79	0,40	0,19	0,13	0,04
21	108,18	0,41	0,19	0,14	0,04
22	108,57	0,41	0,19	0,14	0,04
23	108,96	0,42	0,20	0,14	0,04
24	109,35	0,42	0,20	0,14	0,04
25	109,74	0,43	0,20	0,14	0,04
26	110,12	0,43	0,20	0,14	0,04
27	110,51	0,44	0,20	0,15	0,04
28	110,90	0,44	0,21	0,15	0,04
29	111,29	0,45	0,21	0,15	0,04
30	111,67	0,45	0,21	0,15	0,05
31	112,06	0,46	0,21	0,15	0,05
32	112,45	0,46	0,21	0,15	0,05
33	112,84	0,47	0,22	0,16	0,05
34	113,22	0,47	0,22	0,16	0,05
35	113,61	0,48	0,22	0,16	0,05
36	114,00	0,48	0,22	0,16	0,05
37	114,38	0,49	0,22	0,16	0,05
38	114,77	0,49	0,23	0,16	0,05
39	115,16	0,50	0,23	0,17	0,05
40	115,54	0,50	0,23	0,17	0,05
41	115,93	0,51	0,23	0,17	0,05
42	116,31	0,51	0,23	0,17	0,05
43	116,70	0,52	0,24	0,17	0,05
44	117,09	0,52	0,24	0,17	0,05
45	117,47	0,53	0,24	0,18	0,05
46	117,86	0,53	0,24	0,18	0,05
47	118,24	0,54	0,24	0,18	0,05
48	118,63	0,54	0,25	0,18	0,05
49	119,01	0,55	0,25	0,18	0,05
50	119,40	0,55	0,25	0,18	0,06
51	119,78	0,56	0,25	0,19	0,06
52	120,17	0,56	0,25	0,19	0,06
53	120,55	0,57	0,26	0,19	0,06
54	120,94	0,57	0,26	0,19	0,06

HP / CK 10.06.2024

T °C	R Ω	Max. tol. ± in °C*				T °C	R Ω	Max. tol. ± in °C*				T °C	R Ω	Max. tol. ± in °C*			
		Cl. B	Cl. A	Cl. 1/3 B	Cl. 1/10 B			Cl. B	Cl. A	Cl. 1/3 B	Cl. 1/10 B			Cl. B	Cl. A	Cl. 1/3 B	Cl. 1/10 B
55	121,32	0,58	0,26	0,19	0,06	101	138,89	0,81	0,35	0,27		147	156,20	1,04	0,44	0,35	
56	121,71	0,58	0,26	0,19	0,06	102	139,26	0,81	0,35	0,27		148	156,58	1,04	0,45	0,35	
57	122,09	0,59	0,26	0,20	0,06	103	139,64	0,82	0,36	0,27		149	156,95	1,05	0,45	0,35	
58	122,47	0,59	0,27	0,20	0,06	104	140,02	0,82	0,36	0,27		150	157,33	1,05	0,45	0,35	
59	122,86	0,60	0,27	0,20	0,06	105	140,40	0,83	0,36	0,28		151	157,70	1,06	0,45	0,35	
60	123,24	0,60	0,27	0,20	0,06	106	140,78	0,83	0,36	0,28		152	158,07	1,06	0,45	0,35	
61	123,63	0,61	0,27	0,20	0,06	107	141,16	0,84	0,36	0,28		153	158,45	1,07	0,46	0,36	
62	124,01	0,61	0,27	0,20	0,06	108	141,54	0,84	0,37	0,28		154	158,82	1,07	0,46	0,36	
63	124,39	0,62	0,28	0,21	0,06	109	141,91	0,85	0,37	0,28		155	159,19	1,08	0,46	0,36	
64	124,78	0,62	0,28	0,21	0,06	110	142,29	0,85	0,37	0,28		156	159,56	1,08	0,46	0,36	
65	125,16	0,63	0,28	0,21	0,06	111	142,67	0,86	0,37	0,29		157	159,94	1,09	0,46	0,36	
66	125,54	0,63	0,28	0,21	0,06	112	143,05	0,86	0,37	0,29		158	160,31	1,09	0,47	0,36	
67	125,93	0,64	0,28	0,21	0,06	113	143,43	0,87	0,38	0,29		159	160,68	1,10	0,47	0,37	
68	126,31	0,64	0,29	0,21	0,06	114	143,80	0,87	0,38	0,29		160	161,05	1,10	0,47	0,37	
69	126,69	0,65	0,29	0,22	0,06	115	144,18	0,88	0,38	0,29		161	161,43	1,11	0,47	0,37	
70	127,08	0,65	0,29	0,22	0,07	116	144,56	0,88	0,38	0,29		162	161,80	1,11	0,47	0,37	
71	127,46	0,66	0,29	0,22	0,07	117	144,94	0,89	0,38	0,30		163	162,17	1,12	0,48	0,37	
72	127,84	0,66	0,29	0,22	0,07	118	145,31	0,89	0,39	0,30		164	162,54	1,12	0,48	0,37	
73	128,22	0,67	0,30	0,22	0,07	119	145,69	0,90	0,39	0,30		165	162,92	1,13	0,48	0,38	
74	128,61	0,67	0,30	0,22	0,07	120	146,07	0,90	0,39	0,30		166	163,29	1,13	0,48	0,38	
75	128,99	0,68	0,30	0,23	0,07	121	146,45	0,91	0,39	0,30		167	163,66	1,14	0,48	0,38	
76	129,37	0,68	0,30	0,23	0,07	122	146,82	0,91	0,39	0,30		168	164,03	1,14	0,49	0,38	
77	129,75	0,69	0,30	0,23	0,07	123	147,20	0,92	0,40	0,31		169	164,40	1,15	0,49	0,38	
78	130,13	0,69	0,31	0,23	0,07	124	147,58	0,92	0,40	0,31		170	164,77	1,15	0,49	0,38	
79	130,52	0,70	0,31	0,23	0,07	125	147,95	0,93	0,40	0,31		171	165,14	1,16	0,49	0,39	
80	130,90	0,70	0,31	0,23	0,07	126	148,33	0,93	0,40	0,31		172	165,51	1,16	0,49	0,39	
81	131,28	0,71	0,31	0,24	0,07	127	148,70	0,94	0,40	0,31		173	165,89	1,17	0,50	0,39	
82	131,66	0,71	0,31	0,24	0,07	128	149,08	0,94	0,41	0,31		174	166,26	1,17	0,50	0,39	
83	132,04	0,72	0,32	0,24	0,07	129	149,46	0,95	0,41	0,32		175	166,63	1,18	0,50	0,39	
84	132,42	0,72	0,32	0,24	0,07	130	149,83	0,95	0,41	0,32		176	167,00	1,18	0,50	0,39	
85	132,80	0,73	0,32	0,24	0,07	131	150,21	0,96	0,41	0,32		177	167,37	1,19	0,50	0,40	
86	133,18	0,73	0,32	0,24	0,07	132	150,58	0,96	0,41	0,32		178	167,74	1,19	0,51	0,40	
87	133,57	0,74	0,32	0,25	0,07	133	150,96	0,97	0,42	0,32		179	168,11	1,20	0,51	0,40	
88	133,95	0,74	0,33	0,25	0,07	134	151,33	0,97	0,42	0,32		180	168,48	1,20	0,51	0,40	
89	134,33	0,75	0,33	0,25	0,07	135	151,71	0,98	0,42	0,33		181	168,85	1,21	0,51	0,40	
90	134,71	0,75	0,33	0,25	0,08	136	152,09	0,98	0,42	0,33		182	169,22	1,21	0,51	0,40	
91	135,09	0,76	0,33	0,25	0,08	137	152,46	0,99	0,42	0,33		183	169,59	1,22	0,52	0,41	
92	135,47	0,76	0,33	0,25	0,08	138	152,84	0,99	0,43	0,33		184	169,96	1,22	0,52	0,41	
93	135,85	0,77	0,34	0,26	0,08	139	153,21	1,00	0,43	0,33		185	170,33	1,23	0,52	0,41	
94	136,23	0,77	0,34	0,26	0,08	140	153,58	1,00	0,43	0,33		186	170,70	1,23	0,52	0,41	
95	136,61	0,78	0,34	0,26	0,08	141	153,96	1,01	0,43	0,34		187	171,07	1,24	0,52	0,41	
96	136,99	0,78	0,34	0,26	0,08	142	154,33	1,01	0,43	0,34		188	171,44	1,24	0,53	0,41	
97	137,37	0,79	0,34	0,26	0,08	143	154,71	1,02	0,44	0,34		189	171,80	1,25	0,53	0,42	
98	137,75	0,79	0,35	0,26	0,08	144	155,08	1,02	0,44	0,34		190	172,17	1,25	0,53	0,42	
99	138,13	0,80	0,35	0,27	0,08	145	155,46	1,03	0,44	0,34		191	172,54	1,26	0,53	0,42	
100	138,51	0,80	0,35	0,27		146	155,83	1,03	0,44	0,34		192	172,91	1,26	0,53	0,42	

HP / CK 10.06.2024

Testo Sensor GmbH

+49 7653 96597-71

Testo-Straße 1
D-79853 Lenzkirch

webshop@testo-sensor.de

Please find our whole temperature probe and transmitter portfolio in our webshop at: www.testo-sensor.shop

Managing Director: Prof. Burkart Knospe, Martin Arndt, Timo Löffler

Amtsgericht Freiburg HRB 706025 | Umsatzsteuer-ID.: DE274417683

T °C	R Ω	Max. tol. ± in °C*				T °C	R Ω	Max. tol. ± in °C*				T °C	R Ω	Max. tol. ± in °C*			
		Cl. B	Cl. A	Cl. 1/3 B	Cl. 1/10 B			Cl. B	Cl. A	Cl. 1/3 B	Cl. 1/10 B			Cl. B	Cl. A	Cl. 1/3 B	Cl. 1/10 B
193	173,28	1,27	0,54	0,42		239	190,11	1,50	0,63			285	206,70	1,73	0,72		
194	173,65	1,27	0,54	0,42		240	190,47	1,50	0,63			286	207,05	1,73	0,72		
195	174,02	1,28	0,54	0,43		241	190,84	1,51	0,63			287	207,41	1,74	0,72		
196	174,38	1,28	0,54	0,43		242	191,20	1,51	0,63			288	207,77	1,74	0,73		
197	174,75	1,29	0,54	0,43		243	191,56	1,52	0,64			289	208,13	1,75	0,73		
198	175,12	1,29	0,55	0,43		244	191,92	1,52	0,64			290	208,48	1,75	0,73		
199	175,49	1,30	0,55	0,43		245	192,29	1,53	0,64			291	208,84	1,76	0,73		
200	175,86	1,30	0,55			246	192,65	1,53	0,64			292	209,20	1,76	0,73		
201	176,22	1,31	0,55			247	193,01	1,54	0,64			293	209,56	1,77	0,74		
202	176,59	1,31	0,55			248	193,37	1,54	0,65			294	209,91	1,77	0,74		
203	176,96	1,32	0,56			249	193,74	1,55	0,65			295	210,27	1,78	0,74		
204	177,33	1,32	0,56			250	194,10	1,55	0,65			296	210,63	1,78	0,74		
205	177,69	1,33	0,56			251	194,46	1,56	0,65			297	210,98	1,79	0,74		
206	178,06	1,33	0,56			252	194,82	1,56	0,65			298	211,34	1,79	0,75		
207	178,43	1,34	0,56			253	195,18	1,57	0,66			299	211,70	1,80	0,75		
208	178,79	1,34	0,57			254	195,55	1,57	0,66			300	212,05	1,80			
209	179,16	1,35	0,57			255	195,91	1,58	0,66			301	212,41	1,81			
210	179,53	1,35	0,57			256	196,27	1,58	0,66			302	212,76	1,81			
211	179,89	1,36	0,57			257	196,63	1,59	0,66			303	213,12	1,82			
212	180,26	1,36	0,57			258	196,99	1,59	0,67			304	213,48	1,82			
213	180,63	1,37	0,58			259	197,35	1,60	0,67			305	213,83	1,83			
214	180,99	1,37	0,58			260	197,71	1,60	0,67			306	214,19	1,83			
215	181,36	1,38	0,58			261	198,07	1,61	0,67			307	214,54	1,84			
216	181,73	1,38	0,58			262	198,43	1,61	0,67			308	214,90	1,84			
217	182,09	1,39	0,58			263	198,79	1,62	0,68			309	215,25	1,85			
218	182,46	1,39	0,59			264	199,15	1,62	0,68			310	215,61	1,85			
219	182,82	1,40	0,59			265	199,51	1,63	0,68			311	215,96	1,86			
220	183,19	1,40	0,59			266	199,88	1,63	0,68			312	216,32	1,86			
221	183,55	1,41	0,59			267	200,24	1,64	0,68			313	216,67	1,87			
222	183,92	1,41	0,59			268	200,60	1,64	0,69			314	217,03	1,87			
223	184,28	1,42	0,60			269	200,95	1,65	0,69			315	217,38	1,88			
224	184,65	1,42	0,60			270	201,31	1,65	0,69			316	217,74	1,88			
225	185,01	1,43	0,60			271	201,67	1,66	0,69			317	218,09	1,89			
226	185,38	1,43	0,60			272	202,03	1,66	0,69			318	218,44	1,89			
227	185,74	1,44	0,60			273	202,39	1,67	0,70			319	218,80	1,90			
228	186,11	1,44	0,61			274	202,75	1,67	0,70			320	219,15	1,90			
229	186,47	1,45	0,61			275	203,11	1,68	0,70			321	219,51	1,91			
230	186,84	1,45	0,61			276	203,47	1,68	0,70			322	219,86	1,91			
231	187,20	1,46	0,61			277	203,83	1,69	0,70			323	220,21	1,92			
232	187,56	1,46	0,61			278	204,19	1,69	0,71			324	220,57	1,92			
233	187,93	1,47	0,62			279	204,55	1,70	0,71			325	220,92	1,93			
234	188,29	1,47	0,62			280	204,91	1,70	0,71			326	221,27	1,93			
235	188,66	1,48	0,62			281	205,26	1,71	0,71			327	221,63	1,94			
236	189,02	1,48	0,62			282	205,62	1,71	0,71			328	221,98	1,94			
237	189,38	1,49	0,62			283	205,98	1,72	0,72			329	222,33	1,95			
238	189,75	1,49	0,63			284	206,34	1,72	0,72			330	222,69	1,95			

HP / CK 10.06.2024

Testo Sensor GmbH

+49 7653 96597-71

Testo-Straße 1
D-79853 Lenzkirch

📞 +49 7653 96597-71

✉️ webshop@testo-sensor.de

🌐 Please find our whole temperature probe and transmitter portfolio in our webshop at: www.testo-sensor.shop

Managing Director: Prof. Burkart Knospe, Martin Arndt, Timo Löffler

Amtsgericht Freiburg HRB 706025 | Umsatzsteuer-ID.: DE274417683

T °C	R Ω	Max. tol. ± in °C*				T °C	R Ω	Max. tol. ± in °C*				T °C	R Ω	Max. tol. ± in °C*			
		Cl. B	Cl. A	Cl. 1/3 B	Cl. 1/10 B			Cl. B	Cl. A	Cl. 1/3 B	Cl. 1/10 B			Cl. B	Cl. A	Cl. 1/3 B	Cl. 1/10 B
331	223,04	1,96				377	239,14	2,19				423	254,99	2,42			
332	223,39	1,96				378	239,48	2,19				424	255,33	2,42			
333	223,74	1,97				379	239,83	2,20				425	255,67	2,43			
334	224,10	1,97				380	240,18	2,20				426	256,01	2,43			
335	224,45	1,98				381	240,52	2,21				427	256,36	2,44			
336	224,80	1,98				382	240,87	2,21				428	256,70	2,44			
337	225,15	1,99				383	241,22	2,22				429	257,04	2,45			
338	225,50	1,99				384	241,56	2,22				430	257,38	2,45			
339	225,86	2,00				385	241,91	2,23				431	257,72	2,46			
340	226,21	2,00				386	242,26	2,23				432	258,06	2,46			
341	226,56	2,01				387	242,60	2,24				433	258,40	2,47			
342	226,91	2,01				388	242,95	2,24				434	258,74	2,47			
343	227,26	2,02				389	243,29	2,25				435	259,08	2,48			
344	227,61	2,02				390	243,64	2,25				436	259,42	2,48			
345	227,96	2,03				391	243,99	2,26				437	259,76	2,49			
346	228,31	2,03				392	244,33	2,26				438	260,11	2,49			
347	228,66	2,04				393	244,68	2,27				439	260,45	2,50			
348	229,02	2,04				394	245,02	2,27				440	260,79	2,50			
349	229,37	2,05				395	245,37	2,28				441	261,13	2,51			
350	229,72	2,05				396	245,71	2,28				442	261,47	2,51			
351	230,07	2,06				397	246,06	2,29				443	261,80	2,52			
352	230,42	2,06				398	246,40	2,29				444	262,14	2,52			
353	230,77	2,07				399	246,75	2,30				445	262,48	2,53			
354	231,12	2,07				400	247,09	2,30				446	262,82	2,53			
355	231,47	2,08				401	247,44	2,31				447	263,16	2,54			
356	231,82	2,08				402	247,78	2,31				448	263,50	2,54			
357	232,17	2,09				403	248,13	2,32				449	263,84	2,55			
358	232,52	2,09				404	248,47	2,32				450	264,18	2,55			
359	232,87	2,10				405	248,81	2,33				451	264,52	2,56			
360	233,21	2,10				406	249,16	2,33				452	264,86	2,56			
361	233,56	2,11				407	249,50	2,34				453	265,20	2,57			
362	233,91	2,11				408	249,85	2,34				454	265,53	2,57			
363	234,26	2,12				409	250,19	2,35				455	265,87	2,58			
364	234,61	2,12				410	250,53	2,35				456	266,21	2,58			
365	234,96	2,13				411	250,88	2,36				457	266,55	2,59			
366	235,31	2,13				412	251,22	2,36				458	266,89	2,59			
367	235,66	2,14				413	251,56	2,37				459	267,22	2,60			
368	236,01	2,14				414	251,91	2,37				460	267,56	2,60			
369	236,35	2,15				415	252,25	2,38				461	267,90	2,61			
370	236,70	2,15				416	252,59	2,38				462	268,24	2,61			
371	237,05	2,16				417	252,93	2,39				463	268,57	2,62			
372	237,40	2,16				418	253,28	2,39				464	268,91	2,62			
373	237,75	2,17				419	253,62	2,40				465	269,25	2,63			
374	238,09	2,17				420	253,96	2,40				466	269,59	2,63			
375	238,44	2,18				421	254,30	2,41				467	269,92	2,64			
376	238,79	2,18				422	254,65	2,41				468	270,26	2,64			

HP / CK 10.06.2024

Testo Sensor GmbH

+49 7653 96597-71
 Testo-Straße 1
 D-79853 Lenzkirch
 webshop@testo-sensor.de

Managing Director: Prof. Burkart Knospe, Martin Arndt, Timo Löffler
 Amtsgericht Freiburg HRB 706025 | Umsatzsteuer-ID.: DE274417683
 Please find our whole temperature probe and transmitter portfolio in our webshop at: www.testo-sensor.shop

T °C	R Ω	Max. tol. ± in °C*				T °C	R Ω	Max. tol. ± in °C*				T °C	R Ω	Max. tol. ± in °C*			
		Cl. B	Cl. A	Cl. 1/3 B	Cl. 1/10 B			Cl. B	Cl. A	Cl. 1/3 B	Cl. 1/10 B			Cl. B	Cl. A	Cl. 1/3 B	Cl. 1/10 B
469	270,60	2,65				515	285,96	2,88				561	301,08	3,11			
470	270,93	2,65				516	286,29	2,88				562	301,41	3,11			
471	271,27	2,66				517	286,62	2,89				563	301,73	3,12			
472	271,61	2,66				518	286,95	2,89				564	302,06	3,12			
473	271,94	2,67				519	287,29	2,90				565	302,38	3,13			
474	272,28	2,67				520	287,62	2,90				566	302,71	3,13			
475	272,61	2,68				521	287,95	2,91				567	303,04	3,14			
476	272,95	2,68				522	288,28	2,91				568	303,36	3,14			
477	273,29	2,69				523	288,61	2,92				569	303,69	3,15			
478	273,62	2,69				524	288,94	2,92				570	304,01	3,15			
479	273,96	2,70				525	289,27	2,93				571	304,34	3,16			
480	274,29	2,70				526	289,60	2,93				572	304,66	3,16			
481	274,63	2,71				527	289,93	2,94				573	304,99	3,17			
482	274,96	2,71				528	290,26	2,94				574	305,31	3,17			
483	275,30	2,72				529	290,59	2,95				575	305,63	3,18			
484	275,63	2,72				530	290,92	2,95				576	305,96	3,18			
485	275,97	2,73				531	291,25	2,96				577	306,28	3,19			
486	276,30	2,73				532	291,58	2,96				578	306,61	3,19			
487	276,64	2,74				533	291,91	2,97				579	306,93	3,20			
488	276,97	2,74				534	292,24	2,97				580	307,25	3,20			
489	277,31	2,75				535	292,57	2,98				581	307,58	3,21			
490	277,64	2,75				536	292,89	2,98				582	307,90	3,21			
491	277,98	2,76				537	293,22	2,99				583	308,23	3,22			
492	278,31	2,76				538	293,55	2,99				584	308,55	3,22			
493	278,64	2,77				539	293,88	3,00				585	308,87	3,23			
494	278,98	2,77				540	294,21	3,00				586	309,20	3,23			
495	279,31	2,78				541	294,54	3,01				587	309,52	3,24			
496	279,64	2,78				542	294,87	3,01				588	309,84	3,24			
497	279,98	2,79				543	295,19	3,02				589	310,16	3,25			
498	280,31	2,79				544	295,52	3,02				590	310,49	3,25			
499	280,64	2,80				545	295,85	3,03				591	310,81	3,26			
500	280,98	2,80				546	296,18	3,03				592	311,13	3,26			
501	281,31	2,81				547	296,51	3,04				593	311,45	3,27			
502	281,64	2,81				548	296,83	3,04				594	311,78	3,27			
503	281,98	2,82				549	297,16	3,05				595	312,10	3,28			
504	282,31	2,82				550	297,49	3,05				596	312,42	3,28			
505	282,64	2,83				551	297,81	3,06				597	312,74	3,29			
506	282,97	2,83				552	298,14	3,06				598	313,07	3,29			
507	283,31	2,84				553	298,47	3,07				599	313,39	3,30			
508	283,64	2,84				554	298,80	3,07				600	313,71	3,30			
509	283,97	2,85				555	299,12	3,08				*Maximum tolerance ± according to IEC 751 / EN 60751 in °C					
510	284,30	2,85				556	299,45	3,08				Cl. 1/3 B corresponding to Cl. AA					
511	284,63	2,86				557	299,78	3,09									
512	284,97	2,86				558	300,10	3,09									
513	285,30	2,87				559	300,43	3,10									
514	285,63	2,87				560	300,75	3,10									

HP / CK 10.06.2024

Testo Sensor GmbH

+49 7653 96597-71

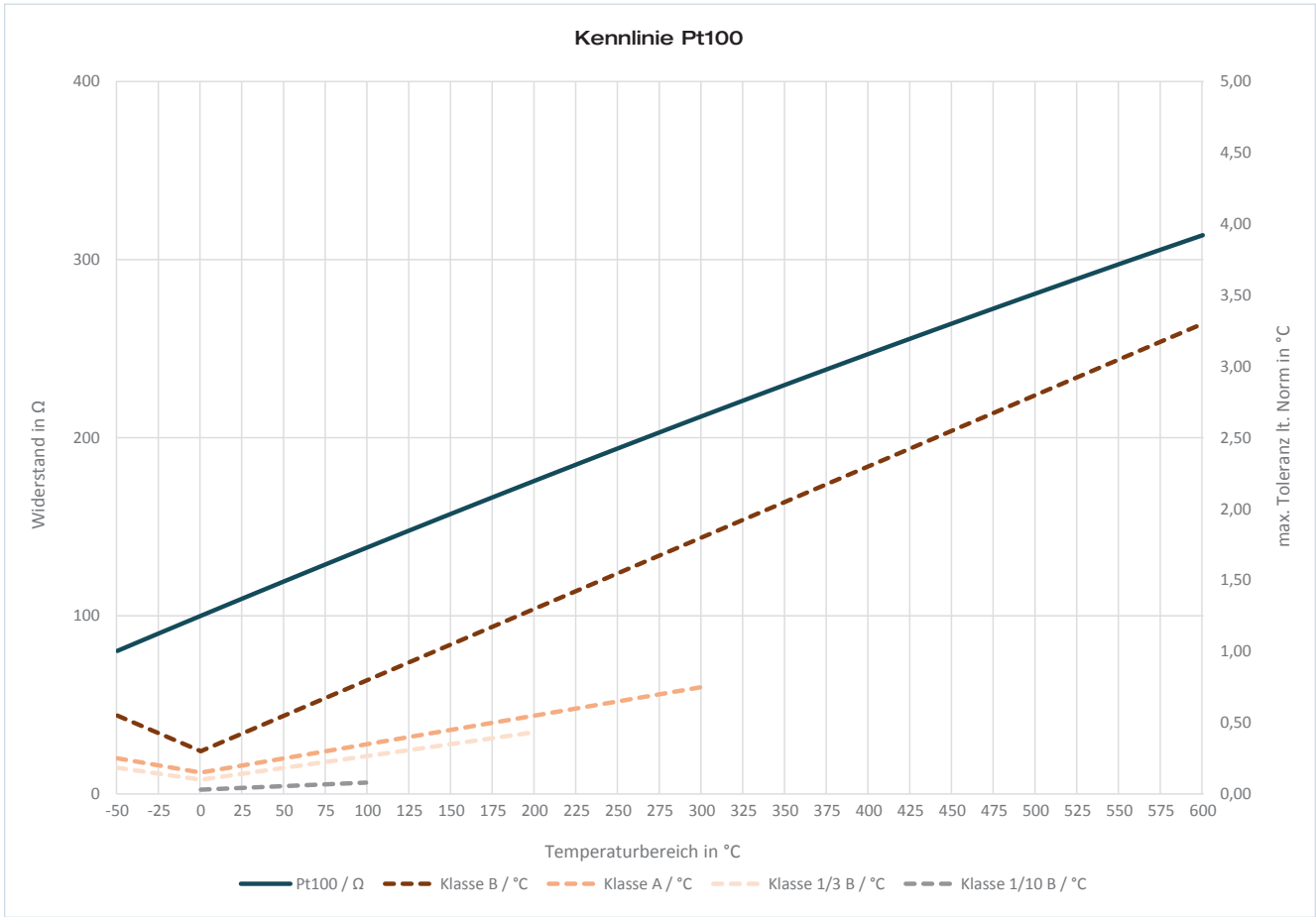
webshop@testo-sensor.de

D-79853 Lenzkirch

Managing Director: Prof. Burkart Knospe, Martin Arndt, Timo Löffler

Amtsgericht Freiburg HRB 706025 | Umsatzsteuer-ID.: DE274417683

Please find our whole temperature probe and transmitter portfolio in our webshop at: www.testo-sensor.shop



HP / CK 10.06.2024

Testo Sensor GmbH

Testo-Straße 1
D-79853 Lenzkirch

+49 7653 96597-71

webshop@testo-sensor.de

Please find our whole temperature probe and transmitter portfolio in our webshop at: www.testo-sensor.shop

Managing Director: Prof. Burkart Knospe, Martin Arndt, Timo Löffler

Amtsgericht Freiburg HRB 706025 | Umsatzsteuer-ID.: DE274417683

Characteristic Pt500

Measuring range: -70 °C to +500 °C

Accuracy class Pt500 according to IEC 751 / EN 60751	
Class	Formula
Cl. B	$dT = \pm(0,30 \text{ °C} + 0,005 t)$

Example values		
Value @ T = 0 °C	Value @ T = 25 °C	Value @ T = 50 °C
±0,30 °C	±0,43 °C	±0,55 °C

T °C	R Ω	Max. tol. ± in °C*	T °C	R Ω	Max. tol. ± in °C*	T °C	R Ω	Max. tol. ± in °C*	T °C	R Ω	Max. tol. ± in °C*	T °C	R Ω	Max. tol. ± in °C*
-70	361,7	0,7	-32	437,2	0,5	6	511,7	0,3	44	585,5	0,5	82	658,3	0,7
-69	363,7	0,6	-31	439,2	0,5	7	513,7	0,3	45	587,4	0,5	83	660,2	0,7
-68	365,7	0,6	-30	441,1	0,5	8	515,6	0,3	46	589,3	0,5	84	662,1	0,7
-67	367,7	0,6	-29	443,1	0,4	9	517,6	0,3	47	591,2	0,5	85	664,0	0,7
-66	369,7	0,6	-28	445,1	0,4	10	519,5	0,4	48	593,2	0,5	86	665,9	0,7
-65	371,7	0,6	-27	447,0	0,4	11	521,5	0,4	49	595,1	0,5	87	667,9	0,7
-64	373,7	0,6	-26	449,0	0,4	12	523,4	0,4	50	597,0	0,6	88	669,8	0,7
-63	375,7	0,6	-25	451,0	0,4	13	525,4	0,4	51	598,9	0,6	89	671,7	0,7
-62	377,7	0,6	-24	453,0	0,4	14	527,3	0,4	52	600,9	0,6	90	673,6	0,8
-61	379,7	0,6	-23	454,9	0,4	15	529,3	0,4	53	602,8	0,6	91	675,5	0,8
-60	381,7	0,6	-22	456,9	0,4	16	531,2	0,4	54	604,7	0,6	92	677,4	0,8
-59	383,7	0,6	-21	458,9	0,4	17	533,2	0,4	55	606,6	0,6	93	679,3	0,8
-58	385,7	0,6	-20	460,8	0,4	18	535,1	0,4	56	608,6	0,6	94	681,2	0,8
-57	387,6	0,6	-19	462,8	0,4	19	537,1	0,4	57	610,5	0,6	95	683,1	0,8
-56	389,6	0,6	-18	464,8	0,4	20	539,0	0,4	58	612,4	0,6	96	685,0	0,8
-55	391,6	0,6	-17	466,7	0,4	21	540,9	0,4	59	614,3	0,6	97	686,9	0,8
-54	393,6	0,6	-16	468,7	0,4	22	542,9	0,4	60	616,2	0,6	98	688,8	0,8
-53	395,6	0,6	-15	470,6	0,4	23	544,8	0,4	61	618,2	0,6	99	690,7	0,8
-52	397,6	0,6	-14	472,6	0,4	24	546,8	0,4	62	620,1	0,6	100	692,6	0,8
-51	399,6	0,6	-13	474,6	0,4	25	548,7	0,4	63	622,0	0,6	101	694,5	0,8
-50	401,6	0,6	-12	476,5	0,4	26	550,6	0,4	64	623,9	0,6	102	696,3	0,8
-49	403,5	0,5	-11	478,5	0,4	27	552,6	0,4	65	625,8	0,6	103	698,2	0,8
-48	405,5	0,5	-10	480,5	0,4	28	554,5	0,4	66	627,7	0,6	104	700,1	0,8
-47	407,5	0,5	-9	482,4	0,3	29	556,5	0,4	67	629,7	0,6	105	702,0	0,8
-46	409,5	0,5	-8	484,4	0,3	30	558,4	0,5	68	631,6	0,6	106	703,9	0,8
-45	411,5	0,5	-7	486,3	0,3	31	560,3	0,5	69	633,5	0,6	107	705,8	0,8
-44	413,5	0,5	-6	488,3	0,3	32	562,3	0,5	70	635,4	0,7	108	707,7	0,8
-43	415,4	0,5	-5	490,2	0,3	33	564,2	0,5	71	637,3	0,7	109	709,6	0,8
-42	417,4	0,5	-4	492,2	0,3	34	566,1	0,5	72	639,2	0,7	110	711,5	0,9
-41	419,4	0,5	-3	494,2	0,3	35	568,1	0,5	73	641,1	0,7	111	713,4	0,9
-40	421,4	0,5	-2	496,1	0,3	36	570,0	0,5	74	643,1	0,7	112	715,3	0,9
-39	423,4	0,5	-1	498,1	0,3	37	571,9	0,5	75	645,0	0,7	113	717,2	0,9
-38	425,3	0,5	0	500,0	0,3	38	573,9	0,5	76	646,9	0,7	114	719,0	0,9
-37	427,3	0,5	1	502,0	0,3	39	575,8	0,5	77	648,8	0,7	115	720,9	0,9
-36	429,3	0,5	2	503,9	0,3	40	577,7	0,5	78	650,7	0,7	116	722,8	0,9
-35	431,3	0,5	3	505,9	0,3	41	579,7	0,5	79	652,6	0,7	117	724,7	0,9
-34	433,2	0,5	4	507,8	0,3	42	581,6	0,5	80	654,5	0,7	118	726,6	0,9
-33	435,2	0,5	5	509,8	0,3	43	583,5	0,5	81	656,4	0,7	119	728,5	0,9

HP / CK 10.06.2024

T °C	R Ω	Max. tol. ± in °C*	T °C	R Ω	Max. tol. ± in °C*	T °C	R Ω	Max. tol. ± in °C*	T °C	R Ω	Max. tol. ± in °C*	T °C	R Ω	Max. tol. ± in °C*
120	730,4	0,9	167	818,3	1,1	214	905,0	1,4	261	990,4	1,6	308	1.074,5	1,8
121	732,3	0,9	168	820,2	1,1	215	906,8	1,4	262	992,2	1,6	309	1.076,3	1,8
122	734,1	0,9	169	822,0	1,1	216	908,7	1,4	263	994,0	1,6	310	1.078,1	1,9
123	736,0	0,9	170	823,9	1,2	217	910,5	1,4	264	995,8	1,6	311	1.079,8	1,9
124	737,9	0,9	171	825,7	1,2	218	912,3	1,4	265	997,6	1,6	312	1.081,6	1,9
125	739,8	0,9	172	827,6	1,2	219	914,1	1,4	266	999,4	1,6	313	1.083,4	1,9
126	741,7	0,9	173	829,5	1,2	220	916,0	1,4	267	1.001,2	1,6	314	1.085,2	1,9
127	743,5	0,9	174	831,3	1,2	221	917,8	1,4	268	1.003,0	1,6	315	1.086,9	1,9
128	745,4	0,9	175	833,2	1,2	222	919,6	1,4	269	1.004,8	1,6	316	1.088,7	1,9
129	747,3	0,9	176	835,0	1,2	223	921,4	1,4	270	1.006,6	1,7	317	1.090,5	1,9
130	749,2	1,0	177	836,9	1,2	224	923,3	1,4	271	1.008,4	1,7	318	1.092,2	1,9
131	751,1	1,0	178	838,7	1,2	225	925,1	1,4	272	1.010,2	1,7	319	1.094,0	1,9
132	752,9	1,0	179	840,6	1,2	226	926,9	1,4	273	1.012,0	1,7	320	1.095,8	1,9
133	754,8	1,0	180	842,4	1,2	227	928,7	1,4	274	1.013,8	1,7	321	1.097,6	1,9
134	756,7	1,0	181	844,3	1,2	228	930,6	1,4	275	1.015,6	1,7	322	1.099,3	1,9
135	758,6	1,0	182	846,1	1,2	229	932,4	1,4	276	1.017,4	1,7	323	1.101,1	1,9
136	760,5	1,0	183	848,0	1,2	230	934,2	1,5	277	1.019,2	1,7	324	1.102,9	1,9
137	762,3	1,0	184	849,8	1,2	231	936,0	1,5	278	1.021,0	1,7	325	1.104,6	1,9
138	764,2	1,0	185	851,7	1,2	232	937,8	1,5	279	1.022,8	1,7	326	1.106,4	1,9
139	766,1	1,0	186	853,5	1,2	233	939,7	1,5	280	1.024,6	1,7	327	1.108,2	1,9
140	767,9	1,0	187	855,4	1,2	234	941,5	1,5	281	1.026,3	1,7	328	1.109,9	1,9
141	769,8	1,0	188	857,2	1,2	235	943,3	1,5	282	1.028,1	1,7	329	1.111,7	1,9
142	771,7	1,0	189	859,0	1,2	236	945,1	1,5	283	1.029,9	1,7	330	1.113,5	2,0
143	773,6	1,0	190	860,9	1,3	237	946,9	1,5	284	1.031,7	1,7	331	1.115,2	2,0
144	775,4	1,0	191	862,7	1,3	238	948,8	1,5	285	1.033,5	1,7	332	1.117,0	2,0
145	777,3	1,0	192	864,6	1,3	239	950,6	1,5	286	1.035,3	1,7	333	1.118,7	2,0
146	779,2	1,0	193	866,4	1,3	240	952,4	1,5	287	1.037,1	1,7	334	1.120,5	2,0
147	781,0	1,0	194	868,3	1,3	241	954,2	1,5	288	1.038,9	1,7	335	1.122,3	2,0
148	782,9	1,0	195	870,1	1,3	242	956,0	1,5	289	1.040,7	1,7	336	1.124,0	2,0
149	784,8	1,0	196	871,9	1,3	243	957,8	1,5	290	1.042,4	1,8	337	1.125,8	2,0
150	786,7	1,1	197	873,8	1,3	244	959,6	1,5	291	1.044,2	1,8	338	1.127,5	2,0
151	788,5	1,1	198	875,6	1,3	245	961,5	1,5	292	1.046,0	1,8	339	1.129,3	2,0
152	790,4	1,1	199	877,5	1,3	246	963,3	1,5	293	1.047,8	1,8	340	1.131,1	2,0
153	792,3	1,1	200	879,3	1,3	247	965,1	1,5	294	1.049,6	1,8	341	1.132,8	2,0
154	794,1	1,1	201	881,1	1,3	248	966,9	1,5	295	1.051,4	1,8	342	1.134,6	2,0
155	796,0	1,1	202	883,0	1,3	249	968,7	1,5	296	1.053,2	1,8	343	1.136,3	2,0
156	797,8	1,1	203	884,8	1,3	250	970,5	1,6	297	1.054,9	1,8	344	1.138,1	2,0
157	799,7	1,1	204	886,7	1,3	251	972,3	1,6	298	1.056,7	1,8	345	1.139,8	2,0
158	801,6	1,1	205	888,5	1,3	252	974,1	1,6	299	1.058,5	1,8	346	1.141,6	2,0
159	803,4	1,1	206	890,3	1,3	253	975,9	1,6	300	1.060,3	1,8	347	1.143,3	2,0
160	805,3	1,1	207	892,2	1,3	254	977,8	1,6	301	1.062,1	1,8	348	1.145,1	2,0
161	807,2	1,1	208	894,0	1,3	255	979,6	1,6	302	1.063,8	1,8	349	1.146,9	2,0
162	809,0	1,1	209	895,8	1,3	256	981,4	1,6	303	1.065,6	1,8	350	1.148,6	2,1
163	810,9	1,1	210	897,7	1,4	257	983,2	1,6	304	1.067,4	1,8	351	1.150,4	2,1
164	812,7	1,1	211	899,5	1,4	258	985,0	1,6	305	1.069,2	1,8	352	1.152,1	2,1
165	814,6	1,1	212	901,3	1,4	259	986,8	1,6	306	1.071,0	1,8	353	1.153,9	2,1
166	816,5	1,1	213	903,2	1,4	260	988,6	1,6	307	1.072,7	1,8	354	1.155,6	2,1

HP / CK 10.06.2024

Testo Sensor GmbH

+49 7653 96597-71

Testo-Straße 1
D-79853 Lenzkirch

webshop@testo-sensor.de

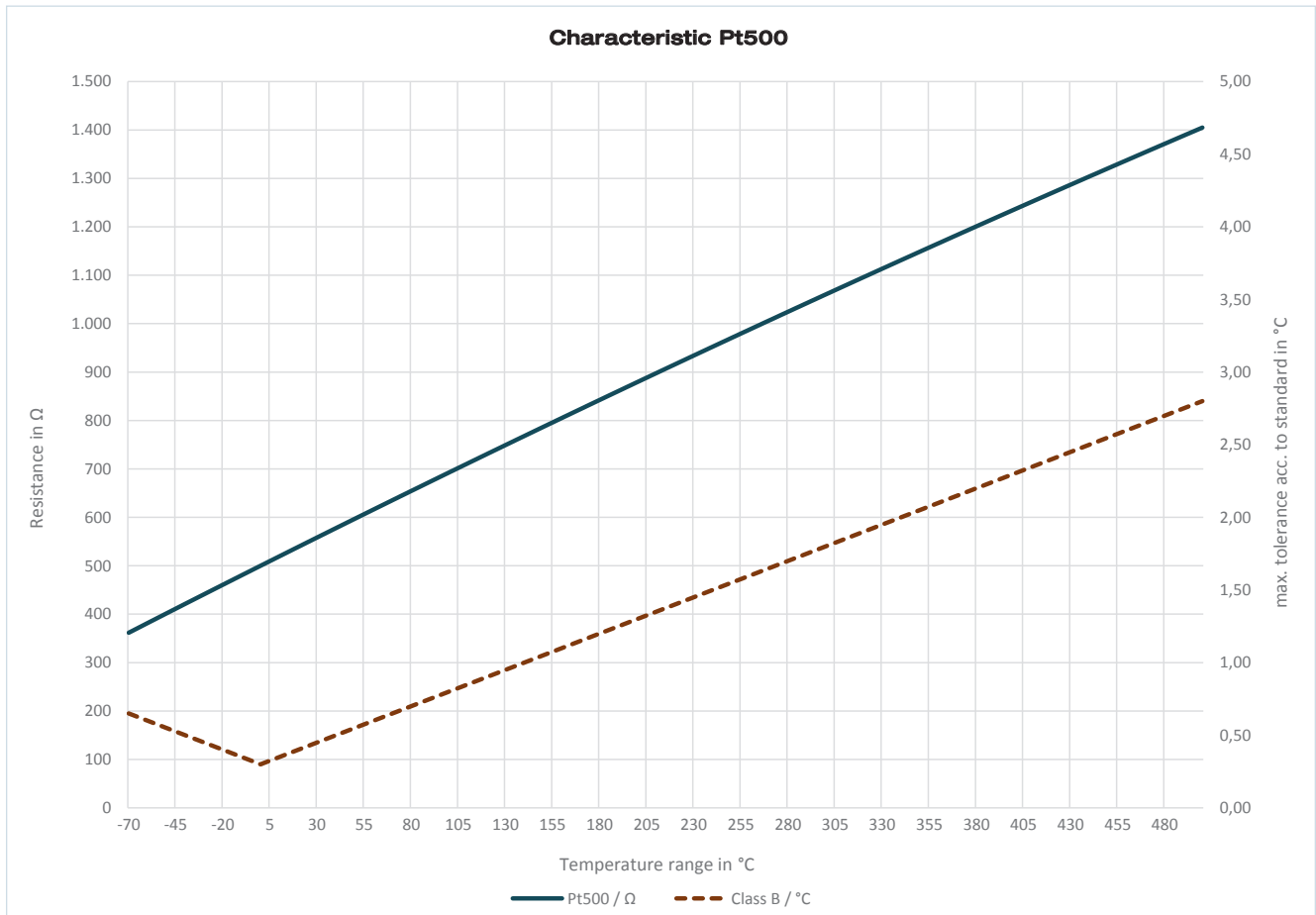
Please find our whole temperature probe and transmitter portfolio in our webshop at: www.testo-sensor.shop

Managing Director: Prof. Burkart Knospe, Martin Arndt, Timo Löffler

Amtsgericht Freiburg HRB 706025 | Umsatzsteuer-ID.: DE274417683

T	R	Max. tol. ± in °C*	T	R	Max. tol. ± in °C*	T	R	Max. tol. ± in °C*	T	R	Max. tol. ± in °C*	T	R	Max. tol. ± in °C*
°C	Ω		°C	Ω		°C	Ω		°C	Ω		°C	Ω	
355	1.157,4	2,1	385	1.209,6	2,2	415	1.261,3	2,4	445	1.312,4	2,5	475	1.363,1	2,7
356	1.159,1	2,1	386	1.211,3	2,2	416	1.263,0	2,4	446	1.314,1	2,5	476	1.364,8	2,7
357	1.160,9	2,1	387	1.213,0	2,2	417	1.264,7	2,4	447	1.315,8	2,5	477	1.366,5	2,7
358	1.162,6	2,1	388	1.214,8	2,2	418	1.266,4	2,4	448	1.317,5	2,5	478	1.368,1	2,7
359	1.164,4	2,1	389	1.216,5	2,2	419	1.268,1	2,4	449	1.319,2	2,5	479	1.369,8	2,7
360	1.166,1	2,1	390	1.218,2	2,3	420	1.269,8	2,4	450	1.320,9	2,6	480	1.371,5	2,7
361	1.167,8	2,1	391	1.220,0	2,3	421	1.271,5	2,4	451	1.322,6	2,6	481	1.373,2	2,7
362	1.169,6	2,1	392	1.221,7	2,3	422	1.273,3	2,4	452	1.324,3	2,6	482	1.374,8	2,7
363	1.171,3	2,1	393	1.223,4	2,3	423	1.275,0	2,4	453	1.326,0	2,6	483	1.376,5	2,7
364	1.173,1	2,1	394	1.225,1	2,3	424	1.276,7	2,4	454	1.327,7	2,6	484	1.378,2	2,7
365	1.174,8	2,1	395	1.226,9	2,3	425	1.278,4	2,4	455	1.329,4	2,6	485	1.379,9	2,7
366	1.176,6	2,1	396	1.228,6	2,3	426	1.280,1	2,4	456	1.331,1	2,6	486	1.381,5	2,7
367	1.178,3	2,1	397	1.230,3	2,3	427	1.281,8	2,4	457	1.332,8	2,6	487	1.383,2	2,7
368	1.180,1	2,1	398	1.232,0	2,3	428	1.283,5	2,4	458	1.334,5	2,6	488	1.384,9	2,7
369	1.181,8	2,1	399	1.233,8	2,3	429	1.285,2	2,4	459	1.336,1	2,6	489	1.386,6	2,7
370	1.183,5	2,2	400	1.235,5	2,3	430	1.286,9	2,5	460	1.337,8	2,6	490	1.388,2	2,8
371	1.185,3	2,2	401	1.237,2	2,3	431	1.288,6	2,5	461	1.339,5	2,6	491	1.389,9	2,8
372	1.187,0	2,2	402	1.238,9	2,3	432	1.290,3	2,5	462	1.341,2	2,6	492	1.391,6	2,8
373	1.188,8	2,2	403	1.240,7	2,3	433	1.292,0	2,5	463	1.342,9	2,6	493	1.393,2	2,8
374	1.190,5	2,2	404	1.242,4	2,3	434	1.293,7	2,5	464	1.344,6	2,6	494	1.394,9	2,8
375	1.192,2	2,2	405	1.244,1	2,3	435	1.295,4	2,5	465	1.346,3	2,6	495	1.396,6	2,8
376	1.194,0	2,2	406	1.245,8	2,3	436	1.297,1	2,5	466	1.348,0	2,6	496	1.398,2	2,8
377	1.195,7	2,2	407	1.247,5	2,3	437	1.298,8	2,5	467	1.349,6	2,6	497	1.399,9	2,8
378	1.197,4	2,2	408	1.249,3	2,3	438	1.300,6	2,5	468	1.351,3	2,6	498	1.401,6	2,8
379	1.199,2	2,2	409	1.251,0	2,3	439	1.302,3	2,5	469	1.353,0	2,6	499	1.403,2	2,8
380	1.200,9	2,2	410	1.252,7	2,4	440	1.304,0	2,5	470	1.354,7	2,7	500	1.404,9	2,8
381	1.202,6	2,2	411	1.254,4	2,4	441	1.305,7	2,5	471	1.356,4	2,7			
382	1.204,4	2,2	412	1.256,1	2,4	442	1.307,4	2,5	472	1.358,1	2,7			
383	1.206,1	2,2	413	1.257,8	2,4	443	1.309,0	2,5	473	1.359,7	2,7			
384	1.207,8	2,2	414	1.259,6	2,4	444	1.310,7	2,5	474	1.361,4	2,7			

*Maximum tolerance ± according to IEC 751 / EN 60751 in °C



HP / CK 10.06.2024

Testo Sensor GmbH

Testo-Straße 1
D-79853 Lenzkirch

+49 7653 96597-71
webshop@testo-sensor.de

Managing Director: Prof. Burkart Knospe, Martin Arndt, Timo Löffler
Amtsgericht Freiburg HRB 706025 | Umsatzsteuer-ID.: DE274417683

Please find our whole temperature probe and transmitter portfolio in our webshop at: www.testo-sensor.shop

Characteristic Pt1000

Measuring range: -50 °C to +600 °C

Accuracy class Pt1000 according to IEC 751 / EN 60751	
Class	Formula
Cl. B	$dT = \pm(0,30 \text{ °C} + 0,005 t)$
Cl. A	$dT = \pm(0,15 \text{ °C} + 0,002 t)$

Example values		
Value @ T = 0 °C	Value @ T = 25 °C	Value @ T = 50 °C
±0,30 °C	±0,43 °C	±0,55 °C
±0,15 °C	±0,20 °C	±0,25 °C

Max. tol.± in °C				Max. tol.± in °C				Max. tol.± in °C				Max. tol.± in °C			
T °C	R Ω	Cl. B	Cl. A	T °C	R Ω	Cl. B	Cl. A	T °C	R Ω	Cl. B	Cl. A	T °C	R Ω	Cl. B	Cl. A
-50	803,1	0,6	0,3	-12	953,0	0,4	0,2	26	1.101,2	0,4	0,2	64	1.247,8	0,6	0,3
-49	807,0	0,5	0,2	-11	956,9	0,4	0,2	27	1.105,1	0,4	0,2	65	1.251,6	0,6	0,3
-48	811,0	0,5	0,2	-10	960,9	0,4	0,2	28	1.109,0	0,4	0,2	66	1.255,4	0,6	0,3
-47	815,0	0,5	0,2	-9	964,8	0,3	0,2	29	1.112,9	0,4	0,2	67	1.259,3	0,6	0,3
-46	818,9	0,5	0,2	-8	968,7	0,3	0,2	30	1.116,7	0,5	0,2	68	1.263,1	0,6	0,3
-45	822,9	0,5	0,2	-7	972,6	0,3	0,2	31	1.120,6	0,5	0,2	69	1.266,9	0,6	0,3
-44	826,9	0,5	0,2	-6	976,5	0,3	0,2	32	1.124,5	0,5	0,2	70	1.270,8	0,7	0,3
-43	830,8	0,5	0,2	-5	980,4	0,3	0,2	33	1.128,4	0,5	0,2	71	1.274,6	0,7	0,3
-42	834,8	0,5	0,2	-4	984,4	0,3	0,2	34	1.132,2	0,5	0,2	72	1.278,4	0,7	0,3
-41	838,8	0,5	0,2	-3	988,3	0,3	0,2	35	1.136,1	0,5	0,2	73	1.282,2	0,7	0,3
-40	842,7	0,5	0,2	-2	992,2	0,3	0,2	36	1.140,0	0,5	0,2	74	1.286,1	0,7	0,3
-39	846,7	0,5	0,2	-1	996,1	0,3	0,2	37	1.143,8	0,5	0,2	75	1.289,9	0,7	0,3
-38	850,6	0,5	0,2	0	1.000,0	0,3	0,2	38	1.147,7	0,5	0,2	76	1.293,7	0,7	0,3
-37	854,6	0,5	0,2	1	1.003,9	0,3	0,2	39	1.151,6	0,5	0,2	77	1.297,5	0,7	0,3
-36	858,5	0,5	0,2	2	1.007,8	0,3	0,2	40	1.155,4	0,5	0,2	78	1.301,3	0,7	0,3
-35	862,5	0,5	0,2	3	1.011,7	0,3	0,2	41	1.159,3	0,5	0,2	79	1.305,2	0,7	0,3
-34	866,4	0,5	0,2	4	1.015,6	0,3	0,2	42	1.163,1	0,5	0,2	80	1.309,0	0,7	0,3
-33	870,4	0,5	0,2	5	1.019,5	0,3	0,2	43	1.167,0	0,5	0,2	81	1.312,8	0,7	0,3
-32	874,3	0,5	0,2	6	1.023,4	0,3	0,2	44	1.170,9	0,5	0,2	82	1.316,6	0,7	0,3
-31	878,3	0,5	0,2	7	1.027,3	0,3	0,2	45	1.174,7	0,5	0,2	83	1.320,4	0,7	0,3
-30	882,2	0,5	0,2	8	1.031,2	0,3	0,2	46	1.178,6	0,5	0,2	84	1.324,2	0,7	0,3
-29	886,2	0,4	0,2	9	1.035,1	0,3	0,2	47	1.182,4	0,5	0,2	85	1.328,0	0,7	0,3
-28	890,1	0,4	0,2	10	1.039,0	0,4	0,2	48	1.186,3	0,5	0,2	86	1.331,8	0,7	0,3
-27	894,0	0,4	0,2	11	1.042,9	0,4	0,2	49	1.190,1	0,5	0,2	87	1.335,7	0,7	0,3
-26	898,0	0,4	0,2	12	1.046,8	0,4	0,2	50	1.194,0	0,6	0,3	88	1.339,5	0,7	0,3
-25	901,9	0,4	0,2	13	1.050,7	0,4	0,2	51	1.197,8	0,6	0,3	89	1.343,3	0,7	0,3
-24	905,9	0,4	0,2	14	1.054,6	0,4	0,2	52	1.201,7	0,6	0,3	90	1.347,1	0,8	0,3
-23	909,8	0,4	0,2	15	1.058,5	0,4	0,2	53	1.205,5	0,6	0,3	91	1.350,9	0,8	0,3
-22	913,7	0,4	0,2	16	1.062,4	0,4	0,2	54	1.209,4	0,6	0,3	92	1.354,7	0,8	0,3
-21	917,7	0,4	0,2	17	1.066,3	0,4	0,2	55	1.213,2	0,6	0,3	93	1.358,5	0,8	0,3
-20	921,6	0,4	0,2	18	1.070,2	0,4	0,2	56	1.217,1	0,6	0,3	94	1.362,3	0,8	0,3
-19	925,5	0,4	0,2	19	1.074,1	0,4	0,2	57	1.220,9	0,6	0,3	95	1.366,1	0,8	0,3
-18	929,5	0,4	0,2	20	1.077,9	0,4	0,2	58	1.224,7	0,6	0,3	96	1.369,9	0,8	0,3
-17	933,4	0,4	0,2	21	1.081,8	0,4	0,2	59	1.228,6	0,6	0,3	97	1.373,7	0,8	0,3
-16	937,3	0,4	0,2	22	1.085,7	0,4	0,2	60	1.232,4	0,6	0,3	98	1.377,5	0,8	0,3
-15	941,2	0,4	0,2	23	1.089,6	0,4	0,2	61	1.236,3	0,6	0,3	99	1.381,3	0,8	0,3
-14	945,2	0,4	0,2	24	1.093,5	0,4	0,2	62	1.240,1	0,6	0,3	100	1.385,1	0,8	0,4
-13	949,1	0,4	0,2	25	1.097,4	0,4	0,2	63	1.243,9	0,6	0,3	101	1.388,9	0,8	0,4

HP / CK 10.06.2024

T °C	R Ω	Max. tol.± in °C		T °C	R Ω	Max. tol.± in °C		T °C	R Ω	Max. tol.± in °C		T °C	R Ω	Max. tol.± in °C	
		Cl. B	Cl. A			Cl. B	Cl. A			Cl. B	Cl. A			Cl. B	Cl. A
102	1.392,6	0,8	0,4	149	1.569,5	1,0	0,4	196	1.743,8	1,3	0,5	243	1.915,6	1,5	0,6
103	1.396,4	0,8	0,4	150	1.573,3	1,1	0,5	197	1.747,5	1,3	0,5	244	1.919,2	1,5	0,6
104	1.400,2	0,8	0,4	151	1.577,0	1,1	0,5	198	1.751,2	1,3	0,5	245	1.922,9	1,5	0,6
105	1.404,0	0,8	0,4	152	1.580,7	1,1	0,5	199	1.754,9	1,3	0,5	246	1.926,5	1,5	0,6
106	1.407,8	0,8	0,4	153	1.584,5	1,1	0,5	200	1.758,6	1,3	0,6	247	1.930,1	1,5	0,6
107	1.411,6	0,8	0,4	154	1.588,2	1,1	0,5	201	1.762,2	1,3	0,6	248	1.933,7	1,5	0,6
108	1.415,4	0,8	0,4	155	1.591,9	1,1	0,5	202	1.765,9	1,3	0,6	249	1.937,4	1,5	0,6
109	1.419,1	0,8	0,4	156	1.595,6	1,1	0,5	203	1.769,6	1,3	0,6	250	1.941,0	1,6	0,7
110	1.422,9	0,9	0,4	157	1.599,4	1,1	0,5	204	1.773,3	1,3	0,6	251	1.944,6	1,6	0,7
111	1.426,7	0,9	0,4	158	1.603,1	1,1	0,5	205	1.776,9	1,3	0,6	252	1.948,2	1,6	0,7
112	1.430,5	0,9	0,4	159	1.606,8	1,1	0,5	206	1.780,6	1,3	0,6	253	1.951,8	1,6	0,7
113	1.434,3	0,9	0,4	160	1.610,5	1,1	0,5	207	1.784,3	1,3	0,6	254	1.955,5	1,6	0,7
114	1.438,0	0,9	0,4	161	1.614,3	1,1	0,5	208	1.787,9	1,3	0,6	255	1.959,1	1,6	0,7
115	1.441,8	0,9	0,4	162	1.618,0	1,1	0,5	209	1.791,6	1,3	0,6	256	1.962,7	1,6	0,7
116	1.445,6	0,9	0,4	163	1.621,7	1,1	0,5	210	1.795,3	1,4	0,6	257	1.966,3	1,6	0,7
117	1.449,4	0,9	0,4	164	1.625,4	1,1	0,5	211	1.798,9	1,4	0,6	258	1.969,9	1,6	0,7
118	1.453,1	0,9	0,4	165	1.629,2	1,1	0,5	212	1.802,6	1,4	0,6	259	1.973,5	1,6	0,7
119	1.456,9	0,9	0,4	166	1.632,9	1,1	0,5	213	1.806,3	1,4	0,6	260	1.977,1	1,6	0,7
120	1.460,7	0,9	0,4	167	1.636,6	1,1	0,5	214	1.809,9	1,4	0,6	261	1.980,7	1,6	0,7
121	1.464,5	0,9	0,4	168	1.640,3	1,1	0,5	215	1.813,6	1,4	0,6	262	1.984,3	1,6	0,7
122	1.468,2	0,9	0,4	169	1.644,0	1,1	0,5	216	1.817,3	1,4	0,6	263	1.987,9	1,6	0,7
123	1.472,0	0,9	0,4	170	1.647,7	1,2	0,5	217	1.820,9	1,4	0,6	264	1.991,5	1,6	0,7
124	1.475,8	0,9	0,4	171	1.651,4	1,2	0,5	218	1.824,6	1,4	0,6	265	1.995,1	1,6	0,7
125	1.479,5	0,9	0,4	172	1.655,1	1,2	0,5	219	1.828,2	1,4	0,6	266	1.998,8	1,6	0,7
126	1.483,3	0,9	0,4	173	1.658,9	1,2	0,5	220	1.831,9	1,4	0,6	267	2.002,4	1,6	0,7
127	1.487,0	0,9	0,4	174	1.662,6	1,2	0,5	221	1.835,5	1,4	0,6	268	2.006,0	1,6	0,7
128	1.490,8	0,9	0,4	175	1.666,3	1,2	0,5	222	1.839,2	1,4	0,6	269	2.009,5	1,6	0,7
129	1.494,6	0,9	0,4	176	1.670,0	1,2	0,5	223	1.842,8	1,4	0,6	270	2.013,1	1,7	0,7
130	1.498,3	1,0	0,4	177	1.673,7	1,2	0,5	224	1.846,5	1,4	0,6	271	2.016,7	1,7	0,7
131	1.502,1	1,0	0,4	178	1.677,4	1,2	0,5	225	1.850,1	1,4	0,6	272	2.020,3	1,7	0,7
132	1.505,8	1,0	0,4	179	1.681,1	1,2	0,5	226	1.853,8	1,4	0,6	273	2.023,9	1,7	0,7
133	1.509,6	1,0	0,4	180	1.684,8	1,2	0,5	227	1.857,4	1,4	0,6	274	2.027,5	1,7	0,7
134	1.513,3	1,0	0,4	181	1.688,5	1,2	0,5	228	1.861,1	1,4	0,6	275	2.031,1	1,7	0,7
135	1.517,1	1,0	0,4	182	1.692,2	1,2	0,5	229	1.864,7	1,4	0,6	276	2.034,7	1,7	0,7
136	1.520,9	1,0	0,4	183	1.695,9	1,2	0,5	230	1.868,4	1,5	0,6	277	2.038,3	1,7	0,7
137	1.524,6	1,0	0,4	184	1.699,6	1,2	0,5	231	1.872,0	1,5	0,6	278	2.041,9	1,7	0,7
138	1.528,4	1,0	0,4	185	1.703,3	1,2	0,5	232	1.875,6	1,5	0,6	279	2.045,5	1,7	0,7
139	1.532,1	1,0	0,4	186	1.707,0	1,2	0,5	233	1.879,3	1,5	0,6	280	2.049,1	1,7	0,7
140	1.535,8	1,0	0,4	187	1.710,7	1,2	0,5	234	1.882,9	1,5	0,6	281	2.052,6	1,7	0,7
141	1.539,6	1,0	0,4	188	1.714,4	1,2	0,5	235	1.886,6	1,5	0,6	282	2.056,2	1,7	0,7
142	1.543,3	1,0	0,4	189	1.718,0	1,2	0,5	236	1.890,2	1,5	0,6	283	2.059,8	1,7	0,7
143	1.547,1	1,0	0,4	190	1.721,7	1,3	0,5	237	1.893,8	1,5	0,6	284	2.063,4	1,7	0,7
144	1.550,8	1,0	0,4	191	1.725,4	1,3	0,5	238	1.897,5	1,5	0,6	285	2.067,0	1,7	0,7
145	1.554,6	1,0	0,4	192	1.729,1	1,3	0,5	239	1.901,1	1,5	0,6	286	2.070,5	1,7	0,7
146	1.558,3	1,0	0,4	193	1.732,8	1,3	0,5	240	1.904,7	1,5	0,6	287	2.074,1	1,7	0,7
147	1.562,0	1,0	0,4	194	1.736,5	1,3	0,5	241	1.908,4	1,5	0,6	288	2.077,7	1,7	0,7
148	1.565,8	1,0	0,4	195	1.740,2	1,3	0,5	242	1.912,0	1,5	0,6	289	2.081,3	1,7	0,7

HP / CK 10.06.2024

Testo Sensor GmbH

+49 7653 96597-71

Testo-Straße 1
D-79853 Lenzkirch

📞 +49 7653 96597-71

✉️ webshop@testo-sensor.de

🌐 Please find our whole temperature probe and transmitter portfolio in our webshop at: www.testo-sensor.shop

Managing Director: Prof. Burkart Knospe, Martin Arndt, Timo Löffler

Amtsgericht Freiburg HRB 706025 | Umsatzsteuer-ID.: DE274417683

T °C	R Ω	Max. tol.± in °C		T °C	R Ω	Max. tol.± in °C		T °C	R Ω	Max. tol.± in °C		T °C	R Ω	Max. tol.± in °C	
		Cl. B	Cl. A			Cl. B	Cl. A			Cl. B	Cl. A			Cl. B	Cl. A
290	2.084,8	1,8	0,7	337	2.251,5	2,0		384	2.415,6	2,2		431	2.577,2	2,5	
291	2.088,4	1,8	0,7	338	2.255,0	2,0		385	2.419,1	2,2		432	2.580,6	2,5	
292	2.092,0	1,8	0,7	339	2.258,6	2,0		386	2.422,6	2,2		433	2.584,0	2,5	
293	2.095,6	1,8	0,7	340	2.262,1	2,0		387	2.426,0	2,2		434	2.587,4	2,5	
294	2.099,1	1,8	0,7	341	2.265,6	2,0		388	2.429,5	2,2		435	2.590,8	2,5	
295	2.102,7	1,8	0,7	342	2.269,1	2,0		389	2.432,9	2,2		436	2.594,2	2,5	
296	2.106,3	1,8	0,7	343	2.272,6	2,0		390	2.436,4	2,3		437	2.597,6	2,5	
297	2.109,8	1,8	0,7	344	2.276,1	2,0		391	2.439,9	2,3		438	2.601,1	2,5	
298	2.113,4	1,8	0,7	345	2.279,6	2,0		392	2.443,3	2,3		439	2.604,5	2,5	
299	2.117,0	1,8	0,7	346	2.283,1	2,0		393	2.446,8	2,3		440	2.607,9	2,5	
300	2.120,5	1,8	0,8	347	2.286,6	2,0		394	2.450,2	2,3		441	2.611,3	2,5	
301	2.124,1	1,8		348	2.290,2	2,0		395	2.453,7	2,3		442	2.614,7	2,5	
302	2.127,6	1,8		349	2.293,7	2,0		396	2.457,1	2,3		443	2.618,0	2,5	
303	2.131,2	1,8		350	2.297,2	2,1		397	2.460,6	2,3		444	2.621,4	2,5	
304	2.134,8	1,8		351	2.300,7	2,1		398	2.464,0	2,3		445	2.624,8	2,5	
305	2.138,3	1,8		352	2.304,2	2,1		399	2.467,5	2,3		446	2.628,2	2,5	
306	2.141,9	1,8		353	2.307,7	2,1		400	2.470,9	2,3		447	2.631,6	2,5	
307	2.145,4	1,8		354	2.311,2	2,1		401	2.474,4	2,3		448	2.635,0	2,5	
308	2.149,0	1,8		355	2.314,7	2,1		402	2.477,8	2,3		449	2.638,4	2,5	
309	2.152,5	1,8		356	2.318,2	2,1		403	2.481,3	2,3		450	2.641,8	2,6	
310	2.156,1	1,9		357	2.321,7	2,1		404	2.484,7	2,3		451	2.645,2	2,6	
311	2.159,6	1,9		358	2.325,2	2,1		405	2.488,1	2,3		452	2.648,6	2,6	
312	2.163,2	1,9		359	2.328,7	2,1		406	2.491,6	2,3		453	2.652,0	2,6	
313	2.166,7	1,9		360	2.332,1	2,1		407	2.495,0	2,3		454	2.655,3	2,6	
314	2.170,3	1,9		361	2.335,6	2,1		408	2.498,5	2,3		455	2.658,7	2,6	
315	2.173,8	1,9		362	2.339,1	2,1		409	2.501,9	2,3		456	2.662,1	2,6	
316	2.177,4	1,9		363	2.342,6	2,1		410	2.505,3	2,4		457	2.665,5	2,6	
317	2.180,9	1,9		364	2.346,1	2,1		411	2.508,8	2,4		458	2.668,9	2,6	
318	2.184,4	1,9		365	2.349,6	2,1		412	2.512,2	2,4		459	2.672,2	2,6	
319	2.188,0	1,9		366	2.353,1	2,1		413	2.515,6	2,4		460	2.675,6	2,6	
320	2.191,5	1,9		367	2.356,6	2,1		414	2.519,1	2,4		461	2.679,0	2,6	
321	2.195,1	1,9		368	2.360,1	2,1		415	2.522,5	2,4		462	2.682,4	2,6	
322	2.198,6	1,9		369	2.363,5	2,1		416	2.525,9	2,4		463	2.685,7	2,6	
323	2.202,1	1,9		370	2.367,0	2,2		417	2.529,3	2,4		464	2.689,1	2,6	
324	2.205,7	1,9		371	2.370,5	2,2		418	2.532,8	2,4		465	2.692,5	2,6	
325	2.209,2	1,9		372	2.374,0	2,2		419	2.536,2	2,4		466	2.695,9	2,6	
326	2.212,7	1,9		373	2.377,5	2,2		420	2.539,6	2,4		467	2.699,2	2,6	
327	2.216,3	1,9		374	2.380,9	2,2		421	2.543,0	2,4		468	2.702,6	2,6	
328	2.219,8	1,9		375	2.384,4	2,2		422	2.546,5	2,4		469	2.706,0	2,6	
329	2.223,3	1,9		376	2.387,9	2,2		423	2.549,9	2,4		470	2.709,3	2,7	
330	2.226,9	2,0		377	2.391,4	2,2		424	2.553,3	2,4		471	2.712,7	2,7	
331	2.230,4	2,0		378	2.394,8	2,2		425	2.556,7	2,4		472	2.716,1	2,7	
332	2.233,9	2,0		379	2.398,3	2,2		426	2.560,1	2,4		473	2.719,4	2,7	
333	2.237,4	2,0		380	2.401,8	2,2		427	2.563,6	2,4		474	2.722,8	2,7	
334	2.241,0	2,0		381	2.405,2	2,2		428	2.567,0	2,4		475	2.726,1	2,7	
335	2.244,5	2,0		382	2.408,7	2,2		429	2.570,4	2,4		476	2.729,5	2,7	
336	2.248,0	2,0		383	2.412,2	2,2		430	2.573,8	2,5		477	2.732,9	2,7	

HP / CK 10.06.2024

Testo Sensor GmbH

+49 7653 96597-71
 Testo-Straße 1
 D-79853 Lenzkirch
 webshop@testo-sensor.de
 Please find our whole temperature probe and transmitter portfolio in our webshop at: www.testo-sensor.shop

Managing Director: Prof. Burkart Knospe, Martin Arndt, Timo Löffler
 Amtsgericht Freiburg HRB 706025 | Umsatzsteuer-ID.: DE274417683

Max. tol.± in °C				Max. tol.± in °C				Max. tol.± in °C				Max. tol.± in °C			
T	R	Cl. B	Cl. A	T	R	Cl. B	Cl. A	T	R	Cl. B	Cl. A	T	R	Cl. B	Cl. A
°C	Ω			°C	Ω			°C	Ω			°C	Ω		
478	2.736,2	2,7		509	2.839,7	2,8		540	2.942,1	3,0		571	3.043,4	3,2	
479	2.739,6	2,7		510	2.843,0	2,9		541	2.945,4	3,0		572	3.046,6	3,2	
480	2.742,9	2,7		511	2.846,3	2,9		542	2.948,7	3,0		573	3.049,9	3,2	
481	2.746,3	2,7		512	2.849,7	2,9		543	2.951,9	3,0		574	3.053,1	3,2	
482	2.749,6	2,7		513	2.853,0	2,9		544	2.955,2	3,0		575	3.056,3	3,2	
483	2.753,0	2,7		514	2.856,3	2,9		545	2.958,5	3,0		576	3.059,6	3,2	
484	2.756,3	2,7		515	2.859,6	2,9		546	2.961,8	3,0		577	3.062,8	3,2	
485	2.759,7	2,7		516	2.862,9	2,9		547	2.965,1	3,0		578	3.066,1	3,2	
486	2.763,0	2,7		517	2.866,2	2,9		548	2.968,3	3,0		579	3.069,3	3,2	
487	2.766,4	2,7		518	2.869,5	2,9		549	2.971,6	3,0		580	3.072,5	3,2	
488	2.769,7	2,7		519	2.872,9	2,9		550	2.974,9	3,1		581	3.075,8	3,2	
489	2.773,1	2,7		520	2.876,2	2,9		551	2.978,1	3,1		582	3.079,0	3,2	
490	2.776,4	2,8		521	2.879,5	2,9		552	2.981,4	3,1		583	3.082,3	3,2	
491	2.779,8	2,8		522	2.882,8	2,9		553	2.984,7	3,1		584	3.085,5	3,2	
492	2.783,1	2,8		523	2.886,1	2,9		554	2.988,0	3,1		585	3.088,7	3,2	
493	2.786,4	2,8		524	2.889,4	2,9		555	2.991,2	3,1		586	3.092,0	3,2	
494	2.789,8	2,8		525	2.892,7	2,9		556	2.994,5	3,1		587	3.095,2	3,2	
495	2.793,1	2,8		526	2.896,0	2,9		557	2.997,8	3,1		588	3.098,4	3,2	
496	2.796,4	2,8		527	2.899,3	2,9		558	3.001,0	3,1		589	3.101,6	3,2	
497	2.799,8	2,8		528	2.902,6	2,9		559	3.004,3	3,1		590	3.104,9	3,3	
498	2.803,1	2,8		529	2.905,9	2,9		560	3.007,5	3,1		591	3.108,1	3,3	
499	2.806,4	2,8		530	2.909,2	3,0		561	3.010,8	3,1		592	3.111,3	3,3	
500	2.809,8	2,8		531	2.912,5	3,0		562	3.014,1	3,1		593	3.114,5	3,3	
501	2.813,1	2,8		532	2.915,8	3,0		563	3.017,3	3,1		594	3.117,8	3,3	
502	2.816,4	2,8		533	2.919,1	3,0		564	3.020,6	3,1		595	3.121,0	3,3	
503	2.819,8	2,8		534	2.922,4	3,0		565	3.023,8	3,1		596	3.124,2	3,3	
504	2.823,1	2,8		535	2.925,7	3,0		566	3.027,1	3,1		597	3.127,4	3,3	
505	2.826,4	2,8		536	2.928,9	3,0		567	3.030,4	3,1		598	3.130,7	3,3	
506	2.829,7	2,8		537	2.932,2	3,0		568	3.033,6	3,1		599	3.133,9	3,3	
507	2.833,1	2,8		538	2.935,5	3,0		569	3.036,9	3,1					
508	2.836,4	2,8		539	2.938,8	3,0		570	3.040,1	3,2					

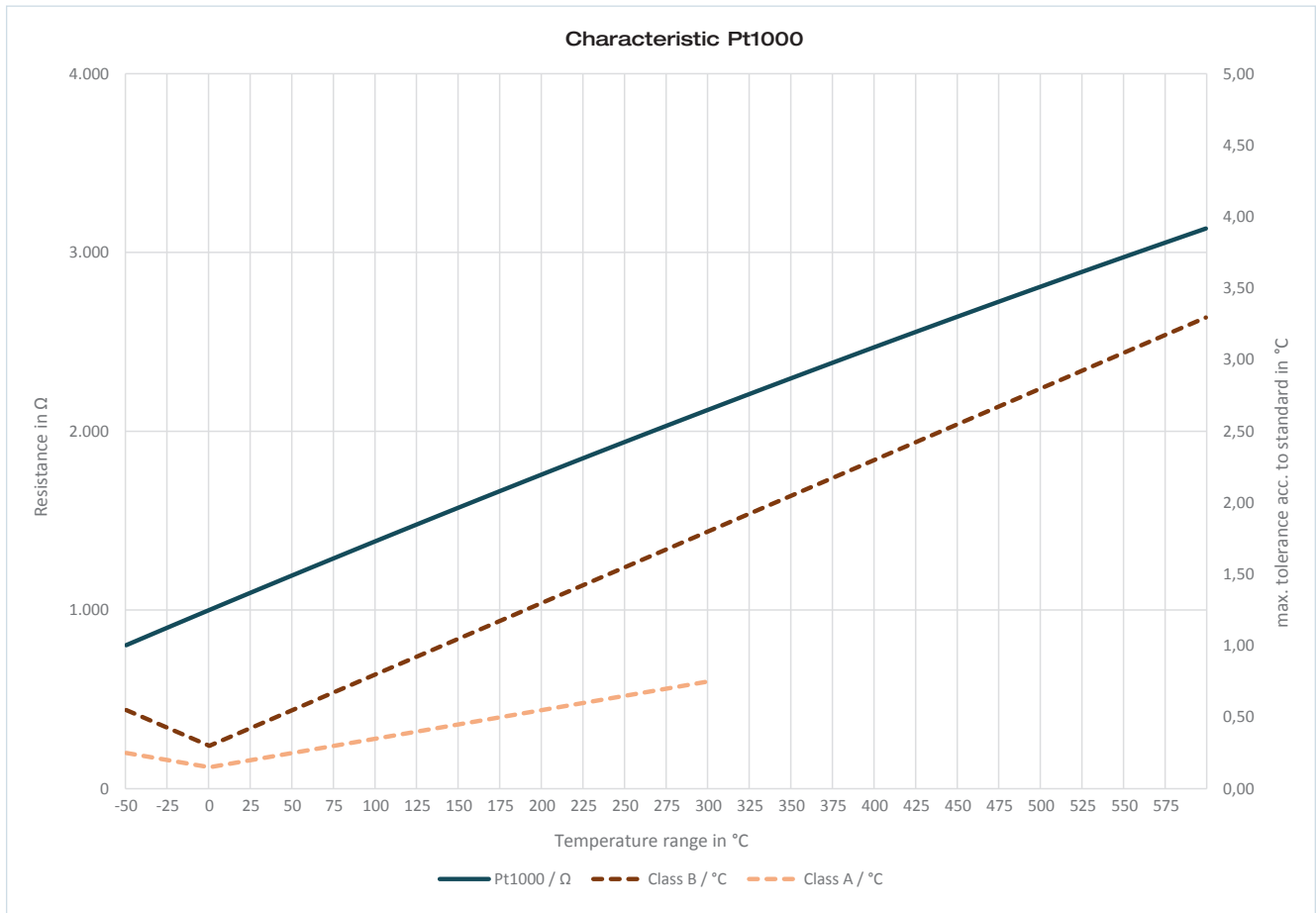
*Maximum tolerance ± according to IEC 751 / EN 60751 in °C

HP / CK 10.06.2024

Testo Sensor GmbH

+49 7653 96597-71
 Testo-Straße 1
 D-79853 Lenzkirch
 webshop@testo-sensor.de

Managing Director: Prof. Burkart Knospe, Martin Arndt, Timo Löffler
 Amtsgericht Freiburg HRB 706025 | Umsatzsteuer-ID.: DE274417683
 Please find our whole temperature probe and transmitter portfolio in our webshop at: www.testo-sensor.shop



HP / CK 10.06.2024

Testo Sensor GmbH

Testo-Straße 1
D-79853 Lenzkirch

+49 7653 96597-71
webshop@testo-sensor.de

Managing Director: Prof. Burkart Knospe, Martin Arndt, Timo Löffler
Amtsgericht Freiburg HRB 706025 | Umsatzsteuer-ID.: DE274417683

Please find our whole temperature probe and transmitter portfolio in our webshop at: www.testo-sensor.shop

Characteristic NTC 5kOhm B25/85 3977 K ±1 %

Measuring range: -40 °C to +125 °C

Example values @ 25°C			
R+%	R-%	+°C	-°C
1,0	-1,0	0,2	-0,2

T °C	R / R25 Ω	R min. Ω	R nom. Ω	R max. Ω	Maximum tolerance			
					R+ %	R- %	+ °C	- °C
-40	29,7	141.952	148.330	154.979	4,5	-4,3	0,7	-0,7
-39	27,8	133.308	139.209	145.357	4,4	-4,2	0,7	-0,7
-38	26,2	125.322	130.778	136.479	4,4	-4,2	0,7	-0,7
-37	24,6	117.928	122.996	128.269	4,3	-4,1	0,7	-0,7
-36	23,2	111.067	115.770	120.660	4,2	-4,1	0,7	-0,7
-35	21,8	104.689	109.057	113.595	4,2	-4,0	0,7	-0,7
-34	20,6	98.748	102.807	107.023	4,1	-3,9	0,7	-0,7
-33	19,4	93.205	96.980	100.898	4,0	-3,9	0,7	-0,7
-32	18,3	88.026	91.538	95.181	4,0	-3,8	0,7	-0,7
-31	17,3	83.179	86.449	89.838	3,9	-3,8	0,7	-0,7
-30	16,3	78.638	81.682	84.836	3,9	-3,7	0,7	-0,7
-29	15,4	74.377	77.213	80.149	3,8	-3,7	0,7	-0,7
-28	14,6	70.347	73.017	75.751	3,7	-3,7	0,7	-0,7
-27	13,8	66.611	69.074	71.621	3,7	-3,6	0,7	-0,7
-26	13,1	63.069	65.365	67.737	3,6	-3,5	0,7	-0,7
-25	12,4	59.733	61.873	64.084	3,6	-3,5	0,7	-0,7
-24	11,7	56.587	58.583	60.643	3,5	-3,4	0,6	-0,7
-23	11,1	53.621	55.482	57.401	3,5	-3,4	0,6	-0,7
-22	10,5	50.820	52.555	54.344	3,4	-3,3	0,6	-0,6
-21	10,0	48.175	49.793	51.460	3,3	-3,2	0,6	-0,6
-20	9,4	45.676	47.184	48.738	3,3	-3,2	0,6	-0,6
-19	8,9	43.313	44.719	46.167	3,2	-3,1	0,6	-0,6
-18	8,5	41.078	42.390	43.738	3,2	-3,1	0,6	-0,6
-17	8,0	38.964	40.187	41.443	3,1	-3,0	0,6	-0,6
-16	7,6	36.964	38.103	39.274	3,1	-3,0	0,6	-0,6
-15	7,2	35.070	36.132	37.222	3,0	-2,9	0,6	-0,6
-14	6,9	33.278	34.267	35.282	3,0	-2,9	0,6	-0,6
-13	6,5	31.580	32.502	33.447	2,9	-2,8	0,6	-0,6
-12	6,2	29.973	30.831	31.711	2,9	-2,8	0,5	-0,6
-11	5,9	28.450	29.250	30.068	2,8	-2,7	0,5	-0,5
-10	5,6	27.008	27.752	28.514	2,7	-2,7	0,5	-0,5
-9	5,3	25.641	26.334	27.043	2,7	-2,6	0,5	-0,5
-8	5,0	24.347	24.992	25.651	2,6	-2,6	0,5	-0,5
-7	4,7	23.120	23.720	24.333	2,6	-2,5	0,5	-0,5
-6	4,5	21.958	22.516	23.086	2,5	-2,5	0,5	-0,5
-5	4,3	20.857	21.376	21.906	2,5	-2,4	0,5	-0,5
-4	4,1	19.814	20.297	20.789	2,4	-2,4	0,5	-0,5
-3	3,9	18.826	19.274	19.731	2,4	-2,3	0,5	-0,5

T °C	R / R25 Ω	R min. Ω	R nom. Ω	R max. Ω	Maximum tolerance			
					R+ %	R- %	+ °C	- °C
-2	3,7	17.889	18.306	18.731	2,3	-2,3	0,5	-0,5
-1	3,5	17.002	17.389	17.784	2,3	-2,2	0,4	-0,5
0	3,3	16.162	16.521	16.885	2,2	-2,2	0,4	-0,4
1	3,1	15.365	15.699	16.039	2,2	-2,1	0,4	-0,4
2	3,0	14.611	14.921	15.236	2,1	-2,1	0,4	-0,4
3	2,8	13.896	14.184	14.476	2,1	-2,0	0,4	-0,4
4	2,7	13.219	13.486	13.757	2,0	-2,0	0,4	-0,4
5	2,6	12.578	12.825	13.076	2,0	-1,9	0,4	-0,4
6	2,4	11.970	12.200	12.432	1,9	-1,9	0,4	-0,4
7	2,3	11.395	11.607	11.822	1,9	-1,8	0,4	-0,4
8	2,2	10.849	11.046	11.245	1,8	-1,8	0,4	-0,4
9	2,1	10.333	10.515	10.700	1,8	-1,7	0,4	-0,4
10	2,0	9.844	10.012	10.183	1,7	-1,7	0,4	-0,4
11	1,9	9.380	9.536	9.694	1,7	-1,6	0,3	-0,4
12	1,8	8.941	9.086	9.231	1,6	-1,6	0,3	-0,3
13	1,7	8.525	8.659	8.794	1,6	-1,5	0,3	-0,3
14	1,7	8.131	8.255	8.379	1,5	-1,5	0,3	-0,3
15	1,6	7.758	7.872	7.987	1,5	-1,4	0,3	-0,3
16	1,5	7.405	7.510	7.616	1,4	-1,4	0,3	-0,3
17	1,4	7.069	7.167	7.264	1,4	-1,4	0,3	-0,3
18	1,4	6.752	6.842	6.932	1,3	-1,3	0,3	-0,3
19	1,3	6.451	6.534	6.617	1,3	-1,3	0,3	-0,3
20	1,2	6.166	6.243	6.319	1,2	-1,2	0,3	-0,3
21	1,2	5.896	5.966	6.037	1,2	-1,2	0,3	-0,3
22	1,1	5.640	5.705	5.770	1,1	-1,1	0,3	-0,3
23	1,1	5.398	5.457	5.516	1,1	-1,1	0,3	-0,3
24	1,0	5.168	5.222	5.277	1,1	-1,0	0,2	-0,2
25	1,0	4.950	5.000	5.050	1,0	-1,0	0,2	-0,2
26	1,0	4.739	4.789	4.839	1,0	-1,0	0,2	-0,2
27	0,9	4.538	4.588	4.638	1,1	-1,1	0,3	-0,3
28	0,9	4.346	4.395	4.445	1,1	-1,1	0,3	-0,3
29	0,8	4.163	4.212	4.261	1,2	-1,2	0,3	-0,3
30	0,8	3.988	4.037	4.086	1,2	-1,2	0,3	-0,3
31	0,8	3.821	3.869	3.918	1,3	-1,2	0,3	-0,3
32	0,7	3.661	3.709	3.758	1,3	-1,3	0,3	-0,3
33	0,7	3.509	3.557	3.605	1,3	-1,3	0,3	-0,3
34	0,7	3.364	3.411	3.458	1,4	-1,4	0,3	-0,3
35	0,7	3.226	3.272	3.319	1,4	-1,4	0,3	-0,4

HP / CK 10.06.2024

T	R / R25	R min.	R nom.	R max.	Maximum tolerance			
					R+ %	R- %	+ °C	- °C
°C	Ω	Ω	Ω	Ω				
36	0,6	3.093	3.139	3.185	1,5	-1,5	0,4	-0,4
37	0,6	2.967	3.012	3.058	1,5	-1,5	0,4	-0,4
38	0,6	2.846	2.891	2.936	1,6	-1,6	0,4	-0,4
39	0,6	2.731	2.775	2.819	1,6	-1,6	0,4	-0,4
40	0,5	2.621	2.665	2.708	1,6	-1,7	0,4	-0,4
41	0,5	2.516	2.559	2.602	1,7	-1,7	0,4	-0,4
42	0,5	2.416	2.458	2.500	1,7	-1,7	0,4	-0,4
43	0,5	2.320	2.361	2.403	1,8	-1,7	0,4	-0,5
44	0,5	2.229	2.269	2.310	1,8	-1,8	0,5	-0,5
45	0,4	2.141	2.181	2.221	1,8	-1,8	0,5	-0,5
46	0,4	2.057	2.096	2.136	1,9	-1,9	0,5	-0,5
47	0,4	1.977	2.016	2.054	1,9	-1,9	0,5	-0,5
48	0,4	1.901	1.939	1.977	2,0	-2,0	0,5	-0,5
49	0,4	1.828	1.865	1.902	2,0	-2,0	0,5	-0,5
50	0,4	1.758	1.794	1.831	2,1	-2,0	0,5	-0,6
51	0,3	1.691	1.727	1.762	2,0	-2,1	0,6	-0,5
52	0,3	1.627	1.662	1.697	2,1	-2,1	0,6	-0,6
53	0,3	1.566	1.600	1.635	2,2	-2,1	0,6	-0,6
54	0,3	1.507	1.541	1.575	2,2	-2,2	0,6	-0,6
55	0,3	1.451	1.484	1.517	2,2	-2,2	0,6	-0,6
56	0,3	1.398	1.430	1.462	2,2	-2,2	0,6	-0,6
57	0,3	1.346	1.378	1.409	2,2	-2,3	0,6	-0,6
58	0,3	1.297	1.328	1.359	2,3	-2,3	0,6	-0,6
59	0,3	1.250	1.280	1.310	2,3	-2,3	0,7	-0,7
60	0,2	1.205	1.234	1.264	2,4	-2,4	0,7	-0,7
61	0,2	1.162	1.190	1.219	2,4	-2,4	0,7	-0,7
62	0,2	1.120	1.148	1.177	2,5	-2,4	0,7	-0,7
63	0,2	1.080	1.108	1.136	2,5	-2,5	0,7	-0,7
64	0,2	1.042	1.069	1.096	2,5	-2,5	0,7	-0,7
65	0,2	1.006	1.032	1.059	2,6	-2,5	0,7	-0,8
66	0,2	970	996	1.023	2,7	-2,6	0,8	-0,8
67	0,2	937	962	988	2,7	-2,6	0,8	-0,8
68	0,2	904	929	954	2,7	-2,7	0,8	-0,8
69	0,2	873	898	922	2,7	-2,8	0,8	-0,8
70	0,2	844	867	891	2,8	-2,7	0,8	-0,8
71	0,2	815	838	862	2,9	-2,7	0,8	-0,9
72	0,2	788	810	833	2,8	-2,7	0,8	-0,9
73	0,2	761	783	806	2,9	-2,8	0,9	-0,9
74	0,2	736	758	780	2,9	-2,9	0,9	-0,9
75	0,1	712	733	754	2,9	-2,9	0,9	-0,9
76	0,1	688	709	730	3,0	-3,0	0,9	-0,9
77	0,1	666	686	707	3,1	-2,9	0,9	-1,0
78	0,1	644	664	684	3,0	-3,0	1,0	-1,0
79	0,1	623	643	663	3,1	-3,1	1,0	-1,0
80	0,1	603	622	642	3,2	-3,1	1,0	-1,1
81	0,1	584	603	622	3,2	-3,2	1,0	-1,0

T	R / R25	R min.	R nom.	R max.	Maximum tolerance			
					R+ %	R- %	+ °C	- °C
°C	Ω	Ω	Ω	Ω				
82	0,1	565	584	602	3,1	-3,3	1,0	-0,9
83	0,1	548	565	584	3,4	-3,0	1,0	-1,1
84	0,1	530	548	566	3,3	-3,3	1,1	-1,1
85	0,1	514	531	548	3,2	-3,2	1,1	-1,1
86	0,1	498	515	532	3,3	-3,3	1,1	-1,1
87	0,1	483	499	516	3,4	-3,2	1,1	-1,1
88	0,1	468	484	500	3,3	-3,3	1,1	-1,1
89	0,1	454	469	485	3,4	-3,2	1,1	-1,1
90	0,1	440	455	471	3,5	-3,3	1,2	-1,2
91	0,1	427	442	457	3,4	-3,4	1,1	-1,1
92	0,1	414	428	443	3,5	-3,3	1,2	-1,3
93	0,1	402	416	431	3,6	-3,4	1,2	-1,3
94	0,1	390	404	418	3,5	-3,5	1,2	-1,2
95	0,1	378	392	406	3,6	-3,6	1,3	-1,3
96	0,1	367	381	394	3,4	-3,7	1,3	-1,2
97	0,1	356	370	383	3,5	-3,8	1,3	-1,2
98	0,1	346	359	372	3,6	-3,6	1,3	-1,3
99	0,1	336	349	362	3,7	-3,7	1,3	-1,3
100	0,1	327	339	352	3,8	-3,5	1,2	-1,3
101	0,1	317	329	342	4,0	-3,6	1,3	-1,4
102	0,1	308	320	332	3,8	-3,8	1,3	-1,3
103	0,1	300	311	323	3,9	-3,5	1,4	-1,5
104	0,1	291	303	314	3,6	-4,0	1,3	-1,2
105	0,1	283	294	306	4,1	-3,7	1,4	-1,5
106	0,1	275	286	297	3,8	-3,8	1,4	-1,4
107	0,1	268	278	289	4,0	-3,6	1,4	-1,6
108	0,1	260	271	281	3,7	-4,1	1,4	-1,3
109	0,1	253	263	274	4,2	-3,8	1,4	-1,6
110	0,1	246	256	267	4,3	-3,9	1,7	-1,8
111	0,1	240	250	260	4,0	-4,0	1,4	-1,4
112	0,0	233	243	253	4,1	-4,1	1,4	-1,4
113	0,0	227	236	246	4,2	-3,8	1,5	-1,7
114	0,0	221	230	240	4,3	-3,9	1,5	-1,7
115	0,0	215	224	234	4,5	-4,0	1,5	-1,7
116	0,0	209	218	227	4,1	-4,1	1,8	-1,8
117	0,0	204	213	222	4,2	-4,2	1,5	-1,5
118	0,0	199	207	216	4,3	-3,9	1,6	-1,8
119	0,0	194	202	211	4,5	-4,0	1,6	-1,8
120	0,0	189	197	205	4,1	-4,1	1,6	-1,6
121	0,0	184	192	200	4,2	-4,2	1,6	-1,6
122	0,0	179	187	195	4,3	-4,3	1,6	-1,6
123	0,0	175	182	190	4,4	-3,8	1,8	-2,0
124	0,0	170	178	185	3,9	-4,5	1,6	-1,4
125	0,0	166	173	181	4,6	-4,0	1,8	-2,0

HP / CK 10.06.2024

Testo Sensor GmbH

+49 7653 96597-71

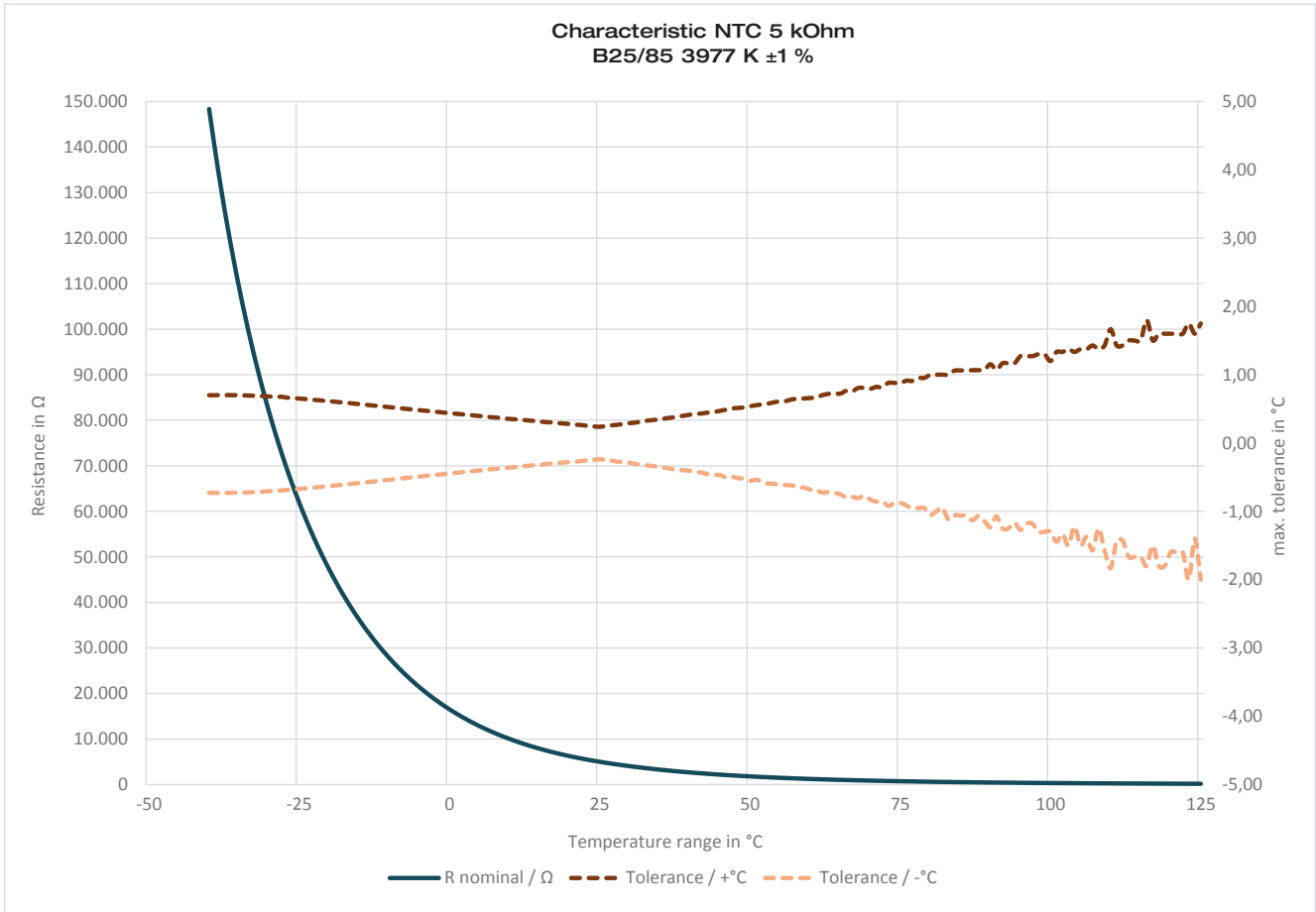
Testo-Straße 1
D-79853 Lenzkirch

webshop@testo-sensor.de

Please find our whole temperature probe and transmitter portfolio in our webshop at: www.testo-sensor.shop

Managing Director: Prof. Burkart Knospe, Martin Arndt, Timo Löffler

Amtsgericht Freiburg HRB 706025 | Umsatzsteuer-ID.: DE274417683



HP / CK 10.06.2024

Testo Sensor GmbH

Testo-Straße 1
D-79853 Lenzkirch

+49 7653 96597-71
webshop@testo-sensor.de

Managing Director: Prof. Burkart Knospe, Martin Arndt, Timo Löffler
Amtsgericht Freiburg HRB 706025 | Umsatzsteuer-ID.: DE274417683

Please find our whole temperature probe and transmitter portfolio in our webshop at: www.testo-sensor.shop

Characteristic NTC 10kOhm B25/85 3977 K ±1 %

Measuring range: -40 °C to +125 °C

Example values @ +25 °C			
R+%	R-%	+°C	-°C
1,0	-1,0	0,2	-0,2

T °C	R / R25 Ω	R min. Ω	R nom. Ω	R max. Ω	Maximum tolerance			
					R+ %	R- %	+ °C	- °C
-40	30,8	294.800	308.163	322.099	4,5	-4,3	0,7	-0,7
-39	28,9	276.323	288.660	301.517	4,5	-4,3	0,7	-0,7
-38	27,1	259.235	270.634	282.506	4,4	-4,2	0,7	-0,7
-37	25,4	243.405	253.947	264.918	4,3	-4,2	0,7	-0,7
-36	23,8	228.718	238.474	248.620	4,3	-4,1	0,7	-0,7
-35	22,4	215.072	224.106	233.496	4,2	-4,0	0,7	-0,7
-34	21,1	202.374	210.745	219.441	4,1	-4,0	0,7	-0,7
-33	19,8	190.545	198.306	206.362	4,1	-3,9	0,7	-0,7
-32	18,7	179.511	186.710	194.178	4,0	-3,9	0,7	-0,7
-31	17,6	169.207	175.888	182.814	3,9	-3,8	0,7	-0,7
-30	16,6	159.575	165.777	172.203	3,9	-3,7	0,7	-0,7
-29	15,6	150.562	156.322	162.286	3,8	-3,7	0,7	-0,7
-28	14,7	142.120	147.471	153.009	3,8	-3,6	0,6	-0,7
-27	13,9	134.207	139.180	144.322	3,7	-3,6	0,6	-0,7
-26	13,1	126.784	131.406	136.183	3,6	-3,5	0,6	-0,7
-25	12,4	119.815	124.112	128.550	3,6	-3,5	0,6	-0,6
-24	11,7	113.268	117.264	121.388	3,5	-3,4	0,6	-0,6
-23	11,1	107.113	110.829	114.663	3,5	-3,4	0,6	-0,6
-22	10,5	101.325	104.781	108.344	3,4	-3,3	0,6	-0,6
-21	9,9	95.877	99.092	102.405	3,3	-3,2	0,6	-0,6
-20	9,4	90.747	93.738	96.818	3,3	-3,2	0,6	-0,6
-19	8,9	85.915	88.698	91.561	3,2	-3,1	0,6	-0,6
-18	8,4	81.361	83.950	86.613	3,2	-3,1	0,6	-0,6
-17	7,9	77.068	79.477	81.953	3,1	-3,0	0,6	-0,6
-16	7,5	73.019	75.260	77.563	3,1	-3,0	0,6	-0,6
-15	7,1	69.199	71.284	73.425	3,0	-2,9	0,6	-0,6
-14	6,8	65.594	67.534	69.524	2,9	-2,9	0,5	-0,6
-13	6,4	62.190	63.996	65.846	2,9	-2,8	0,5	-0,6
-12	6,1	58.977	60.656	62.377	2,8	-2,8	0,5	-0,5
-11	5,8	55.942	57.504	59.104	2,8	-2,7	0,5	-0,5
-10	5,5	53.074	54.528	56.015	2,7	-2,7	0,5	-0,5
-9	5,2	50.365	51.717	53.099	2,7	-2,6	0,5	-0,5
-8	4,9	47.804	49.061	50.346	2,6	-2,6	0,5	-0,5
-7	4,7	45.384	46.553	47.747	2,6	-2,5	0,5	-0,5
-6	4,4	43.095	44.182	45.292	2,5	-2,5	0,5	-0,5
-5	4,2	40.931	41.942	42.973	2,5	-2,4	0,5	-0,5
-4	4,0	38.885	39.824	40.782	2,4	-2,4	0,5	-0,5
-3	3,8	36.949	37.822	38.712	2,4	-2,3	0,5	-0,5

T °C	R / R25 Ω	R min. Ω	R nom. Ω	R max. Ω	Maximum tolerance			
					R+ %	R- %	+ °C	- °C
-2	3,6	35.118	35.929	36.755	2,3	-2,3	0,5	-0,5
-1	3,4	33.385	34.139	34.906	2,2	-2,2	0,4	-0,5
0	3,2	31.745	32.446	33.158	2,2	-2,2	0,4	-0,4
1	3,1	30.193	30.844	31.505	2,1	-2,1	0,4	-0,4
2	2,9	28.725	29.329	29.942	2,1	-2,1	0,4	-0,4
3	2,8	27.334	27.895	28.464	2,0	-2,0	0,4	-0,4
4	2,7	26.018	26.538	27.067	2,0	-2,0	0,4	-0,4
5	2,5	24.771	25.254	25.744	1,9	-1,9	0,4	-0,4
6	2,4	23.591	24.039	24.493	1,9	-1,9	0,4	-0,4
7	2,3	22.473	22.889	23.310	1,8	-1,8	0,4	-0,4
8	2,2	21.414	21.799	22.190	1,8	-1,8	0,4	-0,4
9	2,1	20.411	20.768	21.130	1,7	-1,7	0,4	-0,4
10	2,0	19.460	19.791	20.126	1,7	-1,7	0,4	-0,4
11	1,9	18.559	18.866	19.176	1,6	-1,6	0,4	-0,4
12	1,8	17.706	17.990	18.277	1,6	-1,6	0,3	-0,3
13	1,7	16.897	17.160	17.425	1,5	-1,5	0,3	-0,3
14	1,6	16.130	16.373	16.619	1,5	-1,5	0,3	-0,3
15	1,6	15.403	15.628	15.855	1,5	-1,4	0,3	-0,3
16	1,5	14.713	14.921	15.131	1,4	-1,4	0,3	-0,3
17	1,4	14.059	14.252	14.445	1,4	-1,4	0,3	-0,3
18	1,4	13.439	13.617	13.795	1,3	-1,3	0,3	-0,3
19	1,3	12.851	13.015	13.180	1,3	-1,3	0,3	-0,3
20	1,2	12.293	12.444	12.596	1,2	-1,2	0,3	-0,3
21	1,2	11.763	11.902	12.042	1,2	-1,2	0,3	-0,3
22	1,1	11.260	11.389	11.518	1,1	-1,1	0,3	-0,3
23	1,1	10.783	10.901	11.020	1,1	-1,1	0,3	-0,3
24	1,0	10.330	10.439	10.548	1,0	-1,0	0,2	-0,2
25	1,0	9.900	10.000	10.100	1,0	-1,0	0,2	-0,2
26	1,0	9.495	9.595	9.695	1,0	-1,0	0,3	-0,3
27	0,9	9.106	9.205	9.305	1,1	-1,1	0,3	-0,3
28	0,9	8.732	8.831	8.930	1,1	-1,1	0,3	-0,3
29	0,8	8.373	8.472	8.571	1,2	-1,2	0,3	-0,3
30	0,8	8.029	8.127	8.226	1,2	-1,2	0,3	-0,3
31	0,8	7.700	7.797	7.895	1,3	-1,2	0,3	-0,3
32	0,7	7.384	7.480	7.577	1,3	-1,3	0,3	-0,3
33	0,7	7.082	7.177	7.273	1,3	-1,3	0,3	-0,3
34	0,7	6.792	6.886	6.981	1,4	-1,4	0,3	-0,3
35	0,7	6.515	6.608	6.701	1,4	-1,4	0,3	-0,3

HP / CK 10.06.2024

Testo Sensor GmbH

T	R / R25	R min.	R nom.	R max.	Maximum tolerance			
					R+ %	R- %	+ °C	- °C
°C	Ω	Ω	Ω	Ω				
36	0,6	6.249	6.341	6.434	1,5	-1,5	0,4	-0,4
37	0,6	5.995	6.086	6.178	1,5	-1,5	0,4	-0,4
38	0,6	5.752	5.842	5.932	1,5	-1,5	0,4	-0,4
39	0,6	5.520	5.608	5.697	1,6	-1,6	0,4	-0,4
40	0,5	5.298	5.385	5.472	1,6	-1,6	0,4	-0,4
41	0,5	5.086	5.171	5.257	1,7	-1,6	0,4	-0,4
42	0,5	4.882	4.966	5.051	1,7	-1,7	0,4	-0,4
43	0,5	4.688	4.771	4.854	1,7	-1,7	0,4	-0,4
44	0,5	4.503	4.584	4.666	1,8	-1,8	0,5	-0,5
45	0,4	4.325	4.405	4.485	1,8	-1,8	0,5	-0,5
46	0,4	4.155	4.233	4.313	1,9	-1,8	0,5	-0,5
47	0,4	3.993	4.070	4.148	1,9	-1,9	0,5	-0,5
48	0,4	3.838	3.913	3.989	1,9	-1,9	0,5	-0,5
49	0,4	3.689	3.763	3.838	2,0	-2,0	0,5	-0,5
50	0,4	3.547	3.620	3.693	2,0	-2,0	0,5	-0,5
51	0,3	3.412	3.483	3.555	2,1	-2,0	0,5	-0,5
52	0,3	3.282	3.352	3.422	2,1	-2,1	0,6	-0,6
53	0,3	3.158	3.226	3.295	2,1	-2,1	0,6	-0,6
54	0,3	3.039	3.106	3.174	2,2	-2,2	0,6	-0,6
55	0,3	2.925	2.991	3.057	2,2	-2,2	0,6	-0,6
56	0,3	2.817	2.881	2.946	2,3	-2,2	0,6	-0,6
57	0,3	2.713	2.775	2.839	2,3	-2,2	0,6	-0,6
58	0,3	2.613	2.674	2.737	2,4	-2,3	0,6	-0,7
59	0,3	2.518	2.578	2.639	2,4	-2,3	0,6	-0,7
60	0,2	2.426	2.485	2.545	2,4	-2,4	0,7	-0,7
61	0,2	2.339	2.396	2.455	2,5	-2,4	0,7	-0,7
62	0,2	2.255	2.311	2.369	2,5	-2,4	0,7	-0,7
63	0,2	2.175	2.230	2.286	2,5	-2,5	0,7	-0,7
64	0,2	2.098	2.152	2.207	2,6	-2,5	0,7	-0,7
65	0,2	2.024	2.077	2.131	2,6	-2,6	0,7	-0,8
66	0,2	1.953	2.005	2.058	2,6	-2,6	0,8	-0,8
67	0,2	1.886	1.936	1.988	2,7	-2,6	0,8	-0,8
68	0,2	1.821	1.870	1.921	2,7	-2,6	0,8	-0,8
69	0,2	1.758	1.807	1.856	2,7	-2,7	0,8	-0,8
70	0,2	1.698	1.746	1.794	2,7	-2,7	0,8	-0,8
71	0,2	1.641	1.687	1.735	2,8	-2,7	0,8	-0,9
72	0,2	1.586	1.631	1.677	2,8	-2,8	0,8	-0,9
73	0,2	1.533	1.577	1.622	2,9	-2,8	0,8	-0,9
74	0,2	1.482	1.525	1.570	3,0	-2,8	0,9	-0,9
75	0,1	1.433	1.475	1.519	3,0	-2,8	0,9	-0,9
76	0,1	1.386	1.428	1.470	2,9	-2,9	0,9	-0,9
77	0,1	1.341	1.381	1.423	3,0	-2,9	0,9	-1,0
78	0,1	1.297	1.337	1.378	3,1	-3,0	1,0	-1,0
79	0,1	1.256	1.295	1.334	3,0	-3,0	1,0	-1,0
80	0,1	1.215	1.254	1.293	3,1	-3,1	1,0	-1,0
81	0,1	1.177	1.214	1.252	3,1	-3,0	1,0	-1,0

T	R / R25	R min.	R nom.	R max.	Maximum tolerance			
					R+ %	R- %	+ °C	- °C
°C	Ω	Ω	Ω	Ω				
82	0,1	1.140	1.176	1.214	3,2	-3,1	1,0	-1,1
83	0,1	1.104	1.140	1.176	3,2	-3,2	1,0	-1,0
84	0,1	1.069	1.104	1.140	3,3	-3,2	1,0	-1,1
85	0,1	1.036	1.070	1.105	3,3	-3,2	1,1	-1,1
86	0,1	1.004	1.038	1.072	3,3	-3,3	1,1	-1,1
87	0,1	973	1.006	1.040	3,4	-3,3	1,1	-1,1
88	0,1	944	976	1.009	3,4	-3,3	1,1	-1,1
89	0,1	915	946	979	3,5	-3,3	1,1	-1,2
90	0,1	887	918	950	3,5	-3,4	1,1	-1,2
91	0,1	861	891	922	3,5	-3,4	1,1	-1,1
92	0,1	835	864	895	3,6	-3,4	1,2	-1,2
93	0,1	810	839	869	3,6	-3,5	1,2	-1,2
94	0,1	786	814	843	3,6	-3,4	1,2	-1,3
95	0,1	763	791	819	3,5	-3,5	1,2	-1,2
96	0,1	741	768	796	3,6	-3,5	1,2	-1,3
97	0,1	719	746	773	3,6	-3,6	1,2	-1,2
98	0,1	698	724	751	3,7	-3,6	1,3	-1,4
99	0,1	678	704	730	3,7	-3,7	1,3	-1,3
100	0,1	659	684	709	3,7	-3,7	1,3	-1,3
101	0,1	640	664	689	3,8	-3,6	1,3	-1,4
102	0,1	622	646	670	3,7	-3,7	1,3	-1,3
103	0,1	604	627	651	3,8	-3,7	1,4	-1,4
104	0,1	587	610	633	3,8	-3,8	1,4	-1,4
105	0,1	571	593	616	3,9	-3,7	1,4	-1,4
106	0,1	555	577	599	3,8	-3,8	1,4	-1,4
107	0,1	539	561	583	3,9	-3,9	1,4	-1,4
108	0,1	524	545	567	4,0	-3,9	1,4	-1,5
109	0,1	510	530	552	4,2	-3,8	1,4	-1,6
110	0,1	496	516	537	4,1	-3,9	1,4	-1,5
111	0,1	482	502	522	4,0	-4,0	1,4	-1,4
112	0,0	469	488	508	4,1	-3,9	1,5	-1,5
113	0,0	456	475	495	4,2	-4,0	1,5	-1,5
114	0,0	444	462	481	4,1	-3,9	1,5	-1,6
115	0,0	432	450	469	4,2	-4,0	1,5	-1,6
116	0,0	420	438	456	4,1	-4,1	1,5	-1,5
117	0,0	409	426	444	4,2	-4,0	1,5	-1,6
118	0,0	398	415	432	4,1	-4,1	1,5	-1,5
119	0,0	387	404	421	4,2	-4,2	1,5	-1,5
120	0,0	377	393	410	4,3	-4,1	1,6	-1,7
121	0,0	367	383	399	4,2	-4,2	1,6	-1,6
122	0,0	357	373	389	4,3	-4,3	1,6	-1,6
123	0,0	347	363	379	4,4	-4,4	1,6	-1,6
124	0,0	338	353	369	4,5	-4,2	1,7	-1,8
125	0,0	329	344	359	4,4	-4,4	1,7	-1,7

HP / CK 10.06.2024

Testo Sensor GmbH

+49 7653 96597-71

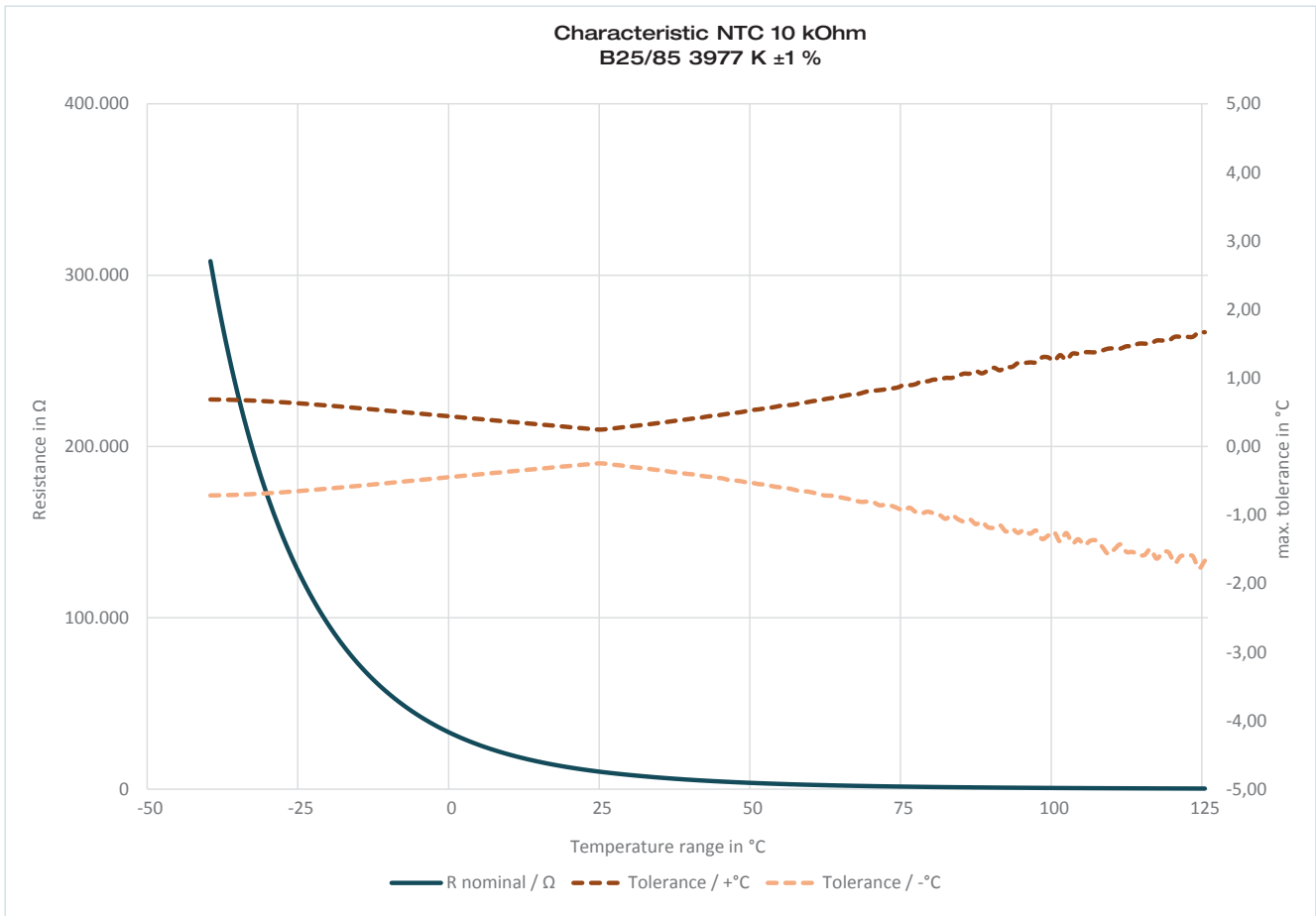
Testo-Straße 1
webshop@testo-sensor.de

D-79853 Lenzkirch

Managing Director: Prof. Burkart Knospe, Martin Arndt, Timo Löffler

Amtsgericht Freiburg HRB 706025 | Umsatzsteuer-ID.: DE274417683

Please find our whole temperature probe and transmitter portfolio in our webshop at: www.testo-sensor.shop



HP / CK 10.06.2024

Testo Sensor GmbH

Testo-Straße 1
D-79853 Lenzkirch

+49 7653 96597-71
webshop@testo-sensor.de
Please find our whole temperature probe and transmitter portfolio in our webshop at: www.testo-sensor.shop

Managing Director: Prof. Burkart Knospe, Martin Arndt, Timo Löffler
Amtsgericht Freiburg HRB 706025 | Umsatzsteuer-ID.: DE274417683

Characteristic NTC 20kOhm B25/85 4230 K ±1 %

Measuring range: -40 °C to +125 °C

Example values @ +25 °C			
R+%	R-%	+°C	-°C
1,0	-1,0	0,2	-0,2

T °C	R / R25 Ω	R min. Ω	R nom. Ω	R max. Ω	Maximum tolerance				T °C	R / R25 Ω	R min. Ω	R nom. Ω	R max. Ω	Maximum tolerance			
					R+%	R-%	+ °C	- °C						R+%	R-%	+ °C	- °C
-40	41,5	790.831	829.134	869.204	4,8	-4,6	0,7	-0,7	-2	4,0	77.518	79.388	81.295	2,4	-2,4	0,4	-0,4
-39	38,8	739.807	775.116	812.029	4,8	-4,6	0,7	-0,7	-1	3,8	73.389	75.118	76.880	2,3	-2,3	0,4	-0,4
-38	36,2	692.250	724.802	758.810	4,7	-4,5	0,7	-0,7	0	3,6	69.503	71.101	72.729	2,3	-2,2	0,4	-0,4
-37	33,9	647.917	677.931	709.265	4,6	-4,4	0,7	-0,7	1	3,4	65.844	67.322	68.825	2,2	-2,2	0,4	-0,4
-36	31,7	606.584	634.261	663.135	4,6	-4,4	0,7	-0,7	2	3,2	62.399	63.765	65.153	2,2	-2,1	0,4	-0,4
-35	29,7	568.042	593.567	620.176	4,5	-4,3	0,7	-0,7	3	3,0	59.154	60.416	61.698	2,1	-2,1	0,4	-0,4
-34	27,8	532.096	555.638	580.164	4,4	-4,2	0,7	-0,7	4	2,9	56.096	57.261	58.446	2,1	-2,0	0,4	-0,4
-33	26,0	498.564	520.281	542.890	4,3	-4,2	0,7	-0,7	5	2,7	53.213	54.290	55.383	2,0	-2,0	0,4	-0,4
-32	24,4	467.280	487.315	508.158	4,3	-4,1	0,7	-0,7	6	2,6	50.495	51.490	52.499	2,0	-1,9	0,4	-0,4
-31	22,8	438.086	456.572	475.790	4,2	-4,0	0,6	-0,7	7	2,4	47.931	48.850	49.781	1,9	-1,9	0,4	-0,4
-30	21,4	410.838	427.896	445.618	4,1	-4,0	0,6	-0,7	8	2,3	45.513	46.361	47.220	1,9	-1,8	0,4	-0,4
-29	20,1	385.400	401.143	417.487	4,1	-3,9	0,6	-0,7	9	2,2	43.230	44.013	44.805	1,8	-1,8	0,4	-0,4
-28	18,8	361.646	376.177	391.253	4,0	-3,9	0,6	-0,6	10	2,1	41.075	41.797	42.527	1,7	-1,7	0,3	-0,3
-27	17,6	339.461	352.875	366.782	3,9	-3,8	0,6	-0,6	11	2,0	39.040	39.706	40.379	1,7	-1,7	0,3	-0,3
-26	16,6	318.736	331.120	343.951	3,9	-3,7	0,6	-0,6	12	1,9	37.117	37.731	38.351	1,6	-1,6	0,3	-0,3
-25	15,5	299.370	310.804	322.644	3,8	-3,7	0,6	-0,6	13	1,8	35.301	35.866	36.437	1,6	-1,6	0,3	-0,3
-24	14,6	281.269	291.828	302.754	3,7	-3,6	0,6	-0,6	14	1,7	33.583	34.104	34.630	1,5	-1,5	0,3	-0,3
-23	13,7	264.347	274.099	284.183	3,7	-3,6	0,6	-0,6	15	1,6	31.960	32.439	32.922	1,5	-1,5	0,3	-0,3
-22	12,9	248.523	257.531	266.838	3,6	-3,5	0,6	-0,6	16	1,5	30.424	30.865	31.309	1,4	-1,4	0,3	-0,3
-21	12,1	233.721	242.043	250.635	3,5	-3,4	0,6	-0,6	17	1,5	28.971	29.376	29.784	1,4	-1,4	0,3	-0,3
-20	11,4	219.873	227.561	235.494	3,5	-3,4	0,6	-0,6	18	1,4	27.596	27.968	28.343	1,3	-1,3	0,3	-0,3
-19	10,7	206.913	214.016	221.341	3,4	-3,3	0,6	-0,6	19	1,3	26.294	26.636	26.979	1,3	-1,3	0,3	-0,3
-18	10,1	194.781	201.345	208.109	3,4	-3,3	0,6	-0,6	20	1,3	25.061	25.375	25.689	1,2	-1,2	0,3	-0,3
-17	9,5	183.421	189.487	195.734	3,3	-3,2	0,5	-0,6	21	1,2	23.893	24.180	24.469	1,2	-1,2	0,3	-0,3
-16	8,9	172.780	178.387	184.157	3,2	-3,1	0,5	-0,6	22	1,2	22.787	23.050	23.313	1,1	-1,1	0,2	-0,2
-15	8,4	162.811	167.993	173.323	3,2	-3,1	0,5	-0,5	23	1,1	21.738	21.978	22.219	1,1	-1,1	0,2	-0,2
-14	7,9	153.469	158.259	163.182	3,1	-3,0	0,5	-0,5	24	1,0	20.743	20.963	21.182	1,0	-1,0	0,2	-0,2
-13	7,5	144.711	149.139	153.687	3,0	-3,0	0,5	-0,5	25	1,0	19.800	20.000	20.200	1,0	-1,0	0,2	-0,2
-12	7,0	136.498	140.592	144.794	3,0	-2,9	0,5	-0,5	26	1,0	18.887	19.087	19.287	1,0	-1,0	0,2	-0,2
-11	6,6	128.795	132.580	136.462	2,9	-2,9	0,5	-0,5	27	0,9	18.022	18.221	18.421	1,1	-1,1	0,2	-0,2
-10	6,3	121.567	125.066	128.654	2,9	-2,8	0,5	-0,5	28	0,9	17.202	17.400	17.598	1,1	-1,1	0,3	-0,3
-9	5,9	114.783	118.019	121.334	2,8	-2,7	0,5	-0,5	29	0,8	16.423	16.620	16.817	1,2	-1,2	0,3	-0,3
-8	5,6	108.414	111.406	114.470	2,8	-2,7	0,5	-0,5	30	0,8	15.685	15.880	16.076	1,2	-1,2	0,3	-0,3
-7	5,3	102.433	105.200	108.031	2,7	-2,6	0,5	-0,5	31	0,8	14.984	15.177	15.371	1,3	-1,3	0,3	-0,3
-6	5,0	96.815	99.373	101.989	2,6	-2,6	0,5	-0,5	32	0,7	14.318	14.509	14.701	1,3	-1,3	0,3	-0,3
-5	4,7	91.535	93.901	96.318	2,6	-2,5	0,5	-0,5	33	0,7	13.685	13.874	14.064	1,4	-1,4	0,3	-0,3
-4	4,4	86.573	88.760	90.994	2,5	-2,5	0,5	-0,5	34	0,7	13.085	13.271	13.459	1,4	-1,4	0,3	-0,3
-3	4,2	81.907	83.929	85.993	2,5	-2,4	0,4	-0,5	35	0,6	12.514	12.698	12.883	1,5	-1,4	0,3	-0,3

HP / CK 10.06.2024

Testo Sensor GmbH

+49 7653 96597-71

Testo-Straße 1
webshop@testo-sensor.de

D-79853 Lenzkirch

Managing Director: Prof. Burkart Knospe, Martin Arndt, Timo Löffler

Amtsgericht Freiburg HRB 706025 | Umsatzsteuer-ID.: DE274417683

Please find our whole temperature probe and transmitter portfolio in our webshop at: www.testo-sensor.shop

T	R / R25	R min.	R nom.	R max.	Maximum tolerance			
					R+%	R-%	+ °C	- °C
°C	Ω	Ω	Ω	Ω				
36	0,6	11.971	12.152	12.335	1,5	-1,5	0,3	-0,4
37	0,6	11.455	11.633	11.813	1,5	-1,5	0,4	-0,4
38	0,6	10.964	11.139	11.317	1,6	-1,6	0,4	-0,4
39	0,5	10.496	10.669	10.844	1,6	-1,6	0,4	-0,4
40	0,5	10.052	10.222	10.393	1,7	-1,7	0,4	-0,4
41	0,5	9.629	9.795	9.964	1,7	-1,7	0,4	-0,4
42	0,5	9.225	9.389	9.555	1,8	-1,7	0,4	-0,4
43	0,5	8.842	9.002	9.165	1,8	-1,8	0,4	-0,4
44	0,4	8.476	8.634	8.793	1,8	-1,8	0,4	-0,5
45	0,4	8.127	8.282	8.439	1,9	-1,9	0,5	-0,5
46	0,4	7.795	7.946	8.100	1,9	-1,9	0,5	-0,5
47	0,4	7.478	7.626	7.777	2,0	-1,9	0,5	-0,5
48	0,4	7.175	7.321	7.469	2,0	-2,0	0,5	-0,5
49	0,4	6.887	7.030	7.175	2,1	-2,0	0,5	-0,5
50	0,3	6.612	6.751	6.893	2,1	-2,1	0,5	-0,5
51	0,3	6.349	6.486	6.625	2,1	-2,1	0,5	-0,5
52	0,3	6.098	6.232	6.368	2,2	-2,2	0,6	-0,6
53	0,3	5.858	5.989	6.123	2,2	-2,2	0,6	-0,6
54	0,3	5.629	5.758	5.888	2,3	-2,2	0,6	-0,6
55	0,3	5.411	5.536	5.664	2,3	-2,3	0,6	-0,6
56	0,3	5.201	5.324	5.449	2,3	-2,3	0,6	-0,6
57	0,3	5.002	5.121	5.244	2,4	-2,3	0,6	-0,6
58	0,2	4.810	4.927	5.047	2,4	-2,4	0,6	-0,6
59	0,2	4.627	4.742	4.859	2,5	-2,4	0,6	-0,7
60	0,2	4.452	4.564	4.679	2,5	-2,5	0,7	-0,7
61	0,2	4.285	4.394	4.506	2,5	-2,5	0,7	-0,7
62	0,2	4.125	4.231	4.341	2,6	-2,5	0,7	-0,7
63	0,2	3.971	4.075	4.182	2,6	-2,6	0,7	-0,7
64	0,2	3.824	3.926	4.030	2,6	-2,6	0,7	-0,7
65	0,2	3.683	3.783	3.885	2,7	-2,6	0,7	-0,7
66	0,2	3.548	3.646	3.745	2,7	-2,7	0,7	-0,8
67	0,2	3.419	3.514	3.611	2,8	-2,7	0,8	-0,8
68	0,2	3.295	3.388	3.483	2,8	-2,7	0,8	-0,8
69	0,2	3.176	3.267	3.360	2,8	-2,8	0,8	-0,8
70	0,2	3.062	3.150	3.241	2,9	-2,8	0,8	-0,8
71	0,2	2.952	3.039	3.128	2,9	-2,9	0,8	-0,8
72	0,1	2.847	2.932	3.019	3,0	-2,9	0,8	-0,8
73	0,1	2.747	2.829	2.914	3,0	-2,9	0,8	-0,9
74	0,1	2.650	2.731	2.813	3,0	-3,0	0,9	-0,9
75	0,1	2.557	2.636	2.717	3,1	-3,0	0,9	-0,9
76	0,1	2.468	2.545	2.624	3,1	-3,0	0,9	-0,9
77	0,1	2.382	2.457	2.534	3,1	-3,1	0,9	-0,9
78	0,1	2.300	2.373	2.449	3,2	-3,1	0,9	-0,9
79	0,1	2.221	2.292	2.366	3,2	-3,1	0,9	-1,0
80	0,1	2.145	2.215	2.287	3,3	-3,2	0,9	-1,0
81	0,1	2.072	2.140	2.210	3,3	-3,2	0,9	-1,0

T	R / R25	R min.	R nom.	R max.	Maximum tolerance			
					R+%	R-%	+ °C	- °C
°C	Ω	Ω	Ω	Ω				
82	0,1	2.001	2.068	2.137	3,3	-3,2	1,0	-1,0
83	0,1	1.934	1.999	2.066	3,4	-3,3	1,0	-1,0
84	0,1	1.869	1.932	1.998	3,4	-3,3	1,0	-1,0
85	0,1	1.806	1.868	1.932	3,4	-3,3	1,0	-1,0
86	0,1	1.746	1.807	1.869	3,4	-3,4	1,0	-1,0
87	0,1	1.688	1.747	1.808	3,5	-3,4	1,0	-1,1
88	0,1	1.632	1.690	1.750	3,6	-3,4	1,1	-1,1
89	0,1	1.578	1.635	1.693	3,5	-3,5	1,1	-1,1
90	0,1	1.527	1.582	1.639	3,6	-3,5	1,1	-1,1
91	0,1	1.477	1.531	1.586	3,6	-3,5	1,1	-1,1
92	0,1	1.429	1.481	1.536	3,7	-3,5	1,1	-1,2
93	0,1	1.383	1.434	1.487	3,7	-3,6	1,1	-1,2
94	0,1	1.338	1.388	1.440	3,7	-3,6	1,1	-1,2
95	0,1	1.295	1.344	1.394	3,7	-3,6	1,1	-1,2
96	0,1	1.253	1.301	1.351	3,8	-3,7	1,2	-1,2
97	0,1	1.213	1.260	1.308	3,8	-3,7	1,2	-1,2
98	0,1	1.175	1.220	1.268	3,9	-3,7	1,2	-1,3
99	0,1	1.138	1.182	1.228	3,9	-3,7	1,2	-1,2
100	0,1	1.102	1.145	1.190	3,9	-3,8	1,2	-1,3
101	0,1	1.067	1.110	1.154	4,0	-3,9	1,2	-1,3
102	0,1	1.034	1.075	1.118	4,0	-3,8	1,2	-1,3
103	0,1	1.001	1.042	1.084	4,0	-3,9	1,3	-1,3
104	0,1	970	1.010	1.051	4,1	-4,0	1,3	-1,3
105	0,0	940	979	1.019	4,1	-4,0	1,3	-1,3
106	0,0	911	949	988	4,1	-4,0	1,3	-1,3
107	0,0	883	920	958	4,1	-4,0	1,3	-1,4
108	0,0	856	892	929	4,1	-4,0	1,3	-1,4
109	0,0	830	865	901	4,2	-4,0	1,3	-1,4
110	0,0	804	839	874	4,2	-4,2	1,3	-1,3
111	0,0	780	813	848	4,3	-4,1	1,4	-1,5
112	0,0	756	789	823	4,3	-4,2	1,4	-1,4
113	0,0	733	765	799	4,4	-4,2	1,4	-1,5
114	0,0	711	742	775	4,4	-4,2	1,4	-1,5
115	0,0	690	720	752	4,4	-4,2	1,4	-1,5
116	0,0	669	699	730	4,4	-4,3	1,4	-1,5
117	0,0	649	678	709	4,6	-4,3	1,5	-1,6
118	0,0	630	658	688	4,6	-4,3	1,5	-1,6
119	0,0	611	639	668	4,5	-4,4	1,5	-1,5
120	0,0	593	620	648	4,5	-4,4	1,5	-1,6
121	0,0	575	602	629	4,5	-4,5	1,5	-1,5
122	0,0	558	584	611	4,6	-4,5	1,5	-1,6
123	0,0	542	567	594	4,8	-4,4	1,6	-1,7
124	0,0	526	551	576	4,5	-4,5	1,6	-1,6
125	0,0	510	535	560	4,5	-4,5	1,6	-1,6

HP / CK 10.06.2024

Testo Sensor GmbH

+49 7653 96597-71

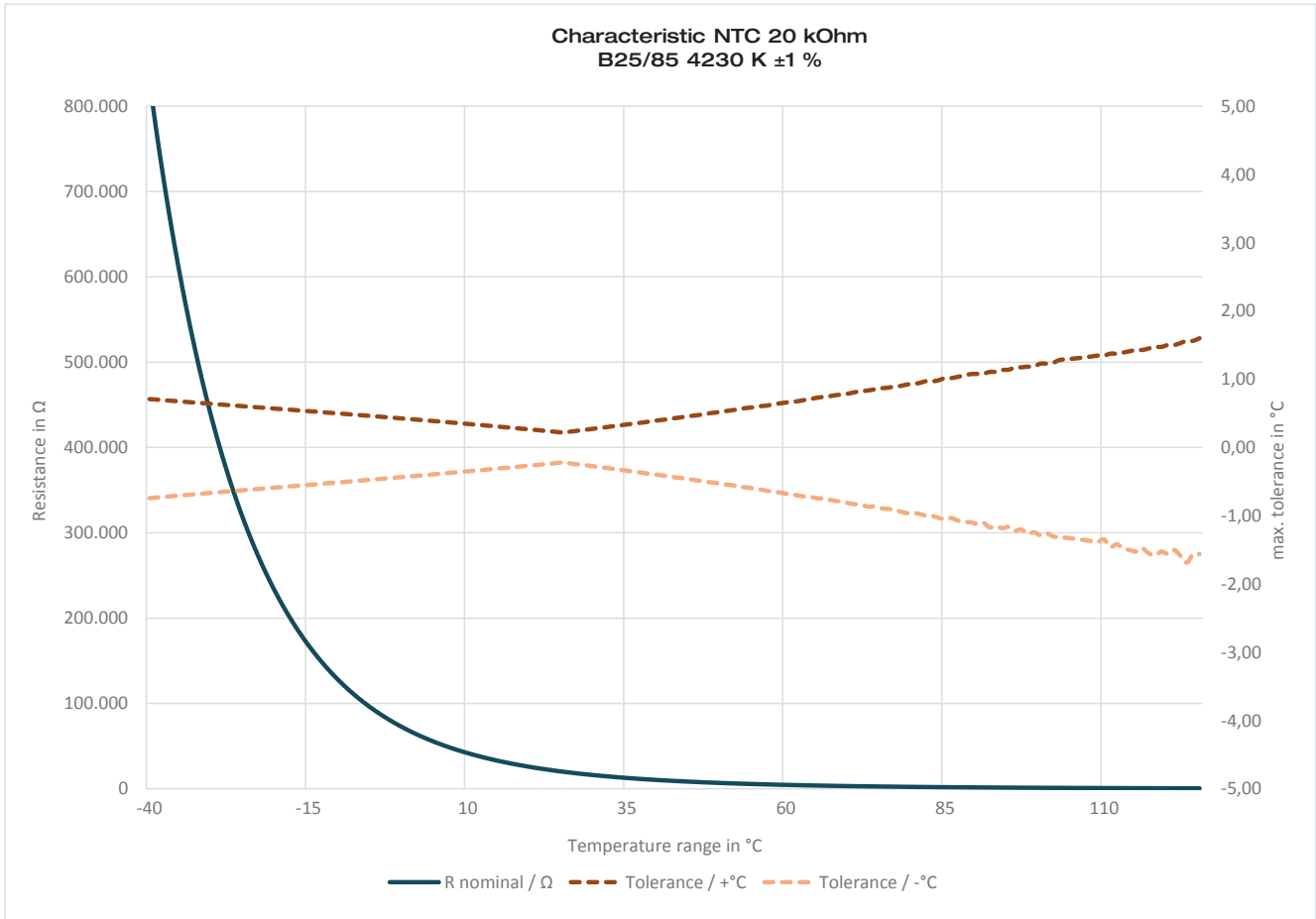
Testo-Straße 1
webshop@testo-sensor.de

D-79853 Lenzkirch

Managing Director: Prof. Burkart Knospe, Martin Arndt, Timo Löffler

Amtsgericht Freiburg HRB 706025 | Umsatzsteuer-ID.: DE274417683

Please find our whole temperature probe and transmitter portfolio in our webshop at: www.testo-sensor.shop



HP / CK 10.06.2024

Testo Sensor GmbH

Testo-Straße 1
D-79853 Lenzkirch

+49 7653 96597-71
webshop@testo-sensor.de
Please find our whole temperature probe and transmitter portfolio in our webshop at: www.testo-sensor.shop

Managing Director: Prof. Burkart Knospe, Martin Arndt, Timo Löffler
Amtsgericht Freiburg HRB 706025 | Umsatzsteuer-ID.: DE274417683

Characteristic Ni1000

Measuring range -60 °C to +150 °C

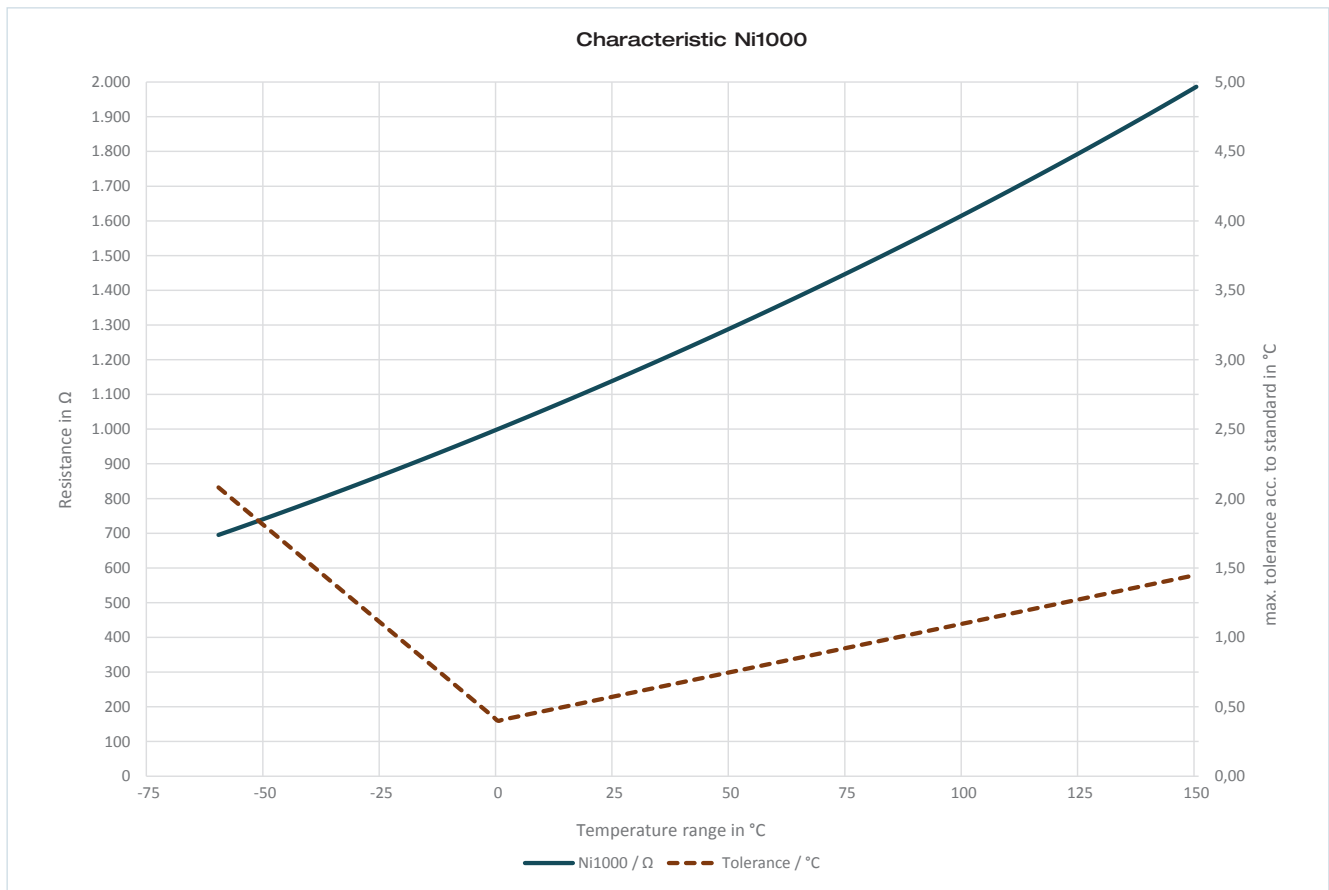
Accuracy class Ni1000 according to IEC 751 / EN 60751
-60 °C to 0 °C: $dT = \pm(0,4 \text{ °C} + 0,028 t)$
0 °C to +150 °C: $dT = \pm(0,4 \text{ °C} + 0,007 t)$

Example values		
Value @ T = 0 °C	Value @ T = 25 °C	Value @ T = 50 °C
±0,40 °C	±0,58 °C	±0,75 °C

T °C	R Ω	max.tol. ± in °C*	T °C	R Ω	max.tol. ± in °C*	T °C	R Ω	max.tol. ± in °C*	T °C	R Ω	max.tol. ± in °C*	T °C	R Ω	max.tol. ± in °C*
-60	695,203	2,1	-22	882,56	1,0	16	1089,46	0,5	54	1315,82	0,8	92	1562,9	1,0
-59	699,873	2,1	-21	887,75	1,0	17	1095,17	0,5	55	1322,05	0,8	93	1569,71	1,1
-58	704,557	2,0	-20	892,96	1,0	18	1100,89	0,5	56	1328,29	0,8	94	1576,53	1,1
-57	709,256	2,0	-19	898,19	0,9	19	1106,62	0,5	57	1334,55	0,8	95	1583,36	1,1
-56	713,97	2,0	-18	903,43	0,9	20	1112,36	0,5	58	1340,82	0,8	96	1590,21	1,1
-55	718,697	1,9	-17	908,68	0,9	21	1118,12	0,5	59	1347,1	0,8	97	1597,08	1,1
-54	723,439	1,9	-16	913,94	0,8	22	1123,9	0,6	60	1353,4	0,8	98	1603,97	1,1
-53	728,196	1,9	-15	919,22	0,8	23	1129,68	0,6	61	1359,72	0,8	99	1610,87	1,1
-52	732,966	1,9	-14	924,51	0,8	24	1135,48	0,6	62	1366,05	0,8	100	1617,79	1,1
-51	737,751	1,8	-13	929,82	0,8	25	1141,29	0,6	63	1372,39	0,8	101	1624,72	1,1
-50	742,55	1,8	-12	935,14	0,7	26	1147,12	0,6	64	1378,75	0,8	102	1631,67	1,1
-49	747,36	1,8	-11	940,47	0,7	27	1152,96	0,6	65	1385,12	0,9	103	1638,64	1,1
-48	752,19	1,7	-10	945,82	0,7	28	1158,81	0,6	66	1391,51	0,9	104	1645,62	1,1
-47	757,03	1,7	-9	951,17	0,7	29	1164,68	0,6	67	1397,91	0,9	105	1652,62	1,1
-46	761,89	1,7	-8	956,55	0,6	30	1170,56	0,6	68	1404,33	0,9	106	1659,64	1,1
-45	766,76	1,7	-7	961,93	0,6	31	1176,45	0,6	69	1410,76	0,9	107	1666,68	1,1
-44	771,64	1,6	-6	967,33	0,6	32	1182,36	0,6	70	1417,21	0,9	108	1673,73	1,2
-43	776,54	1,6	-5	972,74	0,5	33	1188,28	0,6	71	1423,67	0,9	109	1680,8	1,2
-42	781,45	1,6	-4	978,17	0,5	34	1194,21	0,6	72	1430,14	0,9	110	1687,89	1,2
-41	786,37	1,5	-3	983,6	0,5	35	1200,16	0,6	73	1436,64	0,9	111	1694,99	1,2
-40	791,31	1,5	-2	989,06	0,5	36	1206,13	0,7	74	1443,14	0,9	112	1702,11	1,2
-39	796,26	1,5	-1	994,52	0,4	37	1212,1	0,7	75	1449,67	0,9	113	1709,25	1,2
-38	801,23	1,5	0	1000	0,4	38	1218,09	0,7	76	1456,2	0,9	114	1716,41	1,2
-37	806,21	1,4	1	1005,49	0,4	39	1224,09	0,7	77	1462,75	0,9	115	1723,58	1,2
-36	811,21	1,4	2	1011	0,4	40	1230,11	0,7	78	1469,32	0,9	116	1730,77	1,2
-35	816,21	1,4	3	1016,51	0,4	41	1236,14	0,7	79	1475,91	1,0	117	1737,98	1,2
-34	821,23	1,4	4	1022,05	0,4	42	1242,19	0,7	80	1482,5	1,0	118	1745,21	1,2
-33	826,27	1,3	5	1027,59	0,4	43	1248,25	0,7	81	1489,12	1,0	119	1752,45	1,2
-32	831,32	1,3	6	1033,15	0,4	44	1254,32	0,7	82	1495,75	1,0	120	1759,72	1,2
-31	836,38	1,3	7	1038,72	0,4	45	1260,41	0,7	83	1502,39	1,0	121	1767	1,2
-30	841,46	1,2	8	1044,31	0,5	46	1266,51	0,7	84	1509,05	1,0	122	1774,3	1,3
-29	846,55	1,2	9	1049,9	0,5	47	1272,62	0,7	85	1515,73	1,0	123	1781,61	1,3
-28	851,65	1,2	10	1055,52	0,5	48	1278,75	0,7	86	1522,42	1,0	124	1788,95	1,3
-27	856,77	1,2	11	1061,14	0,5	49	1284,89	0,7	87	1529,13	1,0	125	1796,3	1,3
-26	861,9	1,1	12	1066,78	0,5	50	1291,05	0,8	88	1535,85	1,0	126	1803,68	1,3
-25	867,04	1,1	13	1072,43	0,5	51	1297,22	0,8	89	1542,59	1,0	127	1811,07	1,3
-24	872,2	1,1	14	1078,09	0,5	52	1303,41	0,8	90	1549,34	1,0	128	1818,48	1,3
-23	877,37	1,0	15	1083,77	0,5	53	1309,61	0,8	91	1556,12	1,0	129	1825,9	1,3

HP / CK 10.06.2024

T °C	R Ω	max. tol. ± in °C*	T °C	R Ω	max. tol. ± in °C*	T °C	R Ω	max. tol. ± in °C*	T °C	R Ω	max. tol. ± in °C*	T °C	R Ω	max. tol. ± in °C*
130	1833,35	1,3	135	1870,87	1,3	140	1908,87	1,4	145	1947,35	1,4	150	1986,35	1,5
131	1840,82	1,3	136	1878,43	1,4	141	1916,52	1,4	146	1955,11	1,4	*Maximum tolerance ± according to IEC 751 / EN 60751 in °C		
132	1848,3	1,3	137	1886,01	1,4	142	1924,2	1,4	147	1962,89	1,4			
133	1855,8	1,3	138	1893,61	1,4	143	1931,9	1,4	148	1970,69	1,4			
134	1863,33	1,3	139	1901,23	1,4	144	1939,62	1,4	149	1978,51	1,4			



HP / CK 10.06.2024

Testo Sensor GmbH

Testo-Straße 1
D-79853 Lenzkirch

+49 7653 96597-71
webshop@testo-sensor.de

Managing Director: Prof. Burkart Knospe, Martin Arndt, Timo Löffler
Amtsgericht Freiburg HRB 706025 | Umsatzsteuer-ID.: DE274417683

Please find our whole temperature probe and transmitter portfolio in our webshop at: www.testo-sensor.shop

Characteristic LM235Z

Measuring range -50 °C to +150 °C

Example values @ +25 °C

± 1,0 °C

T °C	U mV	Max. tol. ± in °C*	T °C	U mV	Max. tol. ± in °C*	T °C	U mV	Max. tol. ± in °C*	T °C	U mV	Max. tol. ± in °C*	T °C	U mV	Max. tol. ± in °C*
-50	2.232	1	-9	2.642	1	32	3.052	1	73	3.462	1	114	3.872	1
-49	2.242	1	-8	2.652	1	33	3.062	1	74	3.472	1	115	3.882	1
-48	2.252	1	-7	2.662	1	34	3.072	1	75	3.482	1	116	3.892	1
-47	2.262	1	-6	2.672	1	35	3.082	1	76	3.492	1	117	3.902	1
-46	2.272	1	-5	2.682	1	36	3.092	1	77	3.502	1	118	3.912	1
-45	2.282	1	-4	2.692	1	37	3.102	1	78	3.512	1	119	3.922	1
-44	2.292	1	-3	2.702	1	38	3.112	1	79	3.522	1	120	3.932	1
-43	2.302	1	-2	2.712	1	39	3.122	1	80	3.532	1	121	3.942	1
-42	2.312	1	-1	2.722	1	40	3.132	1	81	3.542	1	122	3.952	1
-41	2.322	1	0	2.732	1	41	3.142	1	82	3.552	1	123	3.962	1
-40	2.332	1	1	2.742	1	42	3.152	1	83	3.562	1	124	3.972	1
-39	2.342	1	2	2.752	1	43	3.162	1	84	3.572	1	125	3.982	1
-38	2.352	1	3	2.762	1	44	3.172	1	85	3.582	1	126	3.992	1
-37	2.362	1	4	2.772	1	45	3.182	1	86	3.592	1	127	4.002	1
-36	2.372	1	5	2.782	1	46	3.192	1	87	3.602	1	128	4.012	1
-35	2.382	1	6	2.792	1	47	3.202	1	88	3.612	1	129	4.022	1
-34	2.392	1	7	2.802	1	48	3.212	1	89	3.622	1	130	4.032	1
-33	2.402	1	8	2.812	1	49	3.222	1	90	3.632	1	131	4.042	1
-32	2.412	1	9	2.822	1	50	3.232	1	91	3.642	1	132	4.052	1
-31	2.422	1	10	2.832	1	51	3.242	1	92	3.652	1	133	4.062	1
-30	2.432	1	11	2.842	1	52	3.252	1	93	3.662	1	134	4.072	1
-29	2.442	1	12	2.852	1	53	3.262	1	94	3.672	1	135	4.082	1
-28	2.452	1	13	2.862	1	54	3.272	1	95	3.682	1	136	4.092	1
-27	2.462	1	14	2.872	1	55	3.282	1	96	3.692	1	137	4.102	1
-26	2.472	1	15	2.882	1	56	3.292	1	97	3.702	1	138	4.112	1
-25	2.482	1	16	2.892	1	57	3.302	1	98	3.712	1	139	4.122	1
-24	2.492	1	17	2.902	1	58	3.312	1	99	3.722	1	140	4.132	1
-23	2.502	1	18	2.912	1	59	3.322	1	100	3.732	1	141	4.142	1
-22	2.512	1	19	2.922	1	60	3.332	1	101	3.742	1	142	4.152	1
-21	2.522	1	20	2.932	1	61	3.342	1	102	3.752	1	143	4.162	1
-20	2.532	1	21	2.942	1	62	3.352	1	103	3.762	1	144	4.172	1
-19	2.542	1	22	2.952	1	63	3.362	1	104	3.772	1	145	4.182	1
-18	2.552	1	23	2.962	1	64	3.372	1	105	3.782	1	146	4.192	1
-17	2.562	1	24	2.972	1	65	3.382	1	106	3.792	1	147	4.202	1
-16	2.572	1	25	2.982	1	66	3.392	1	107	3.802	1	148	4.212	1
-15	2.582	1	26	2.992	1	67	3.402	1	108	3.812	1	149	4.222	1
-14	2.592	1	27	3.002	1	68	3.412	1	109	3.822	1	150	4.232	1
-13	2.602	1	28	3.012	1	69	3.422	1	110	3.832	1	*Maximum tolerance		
-12	2.612	1	29	3.022	1	70	3.432	1	111	3.842	1			
-11	2.622	1	30	3.032	1	71	3.442	1	112	3.852	1			
-10	2.632	1	31	3.042	1	72	3.452	1	113	3.862	1			

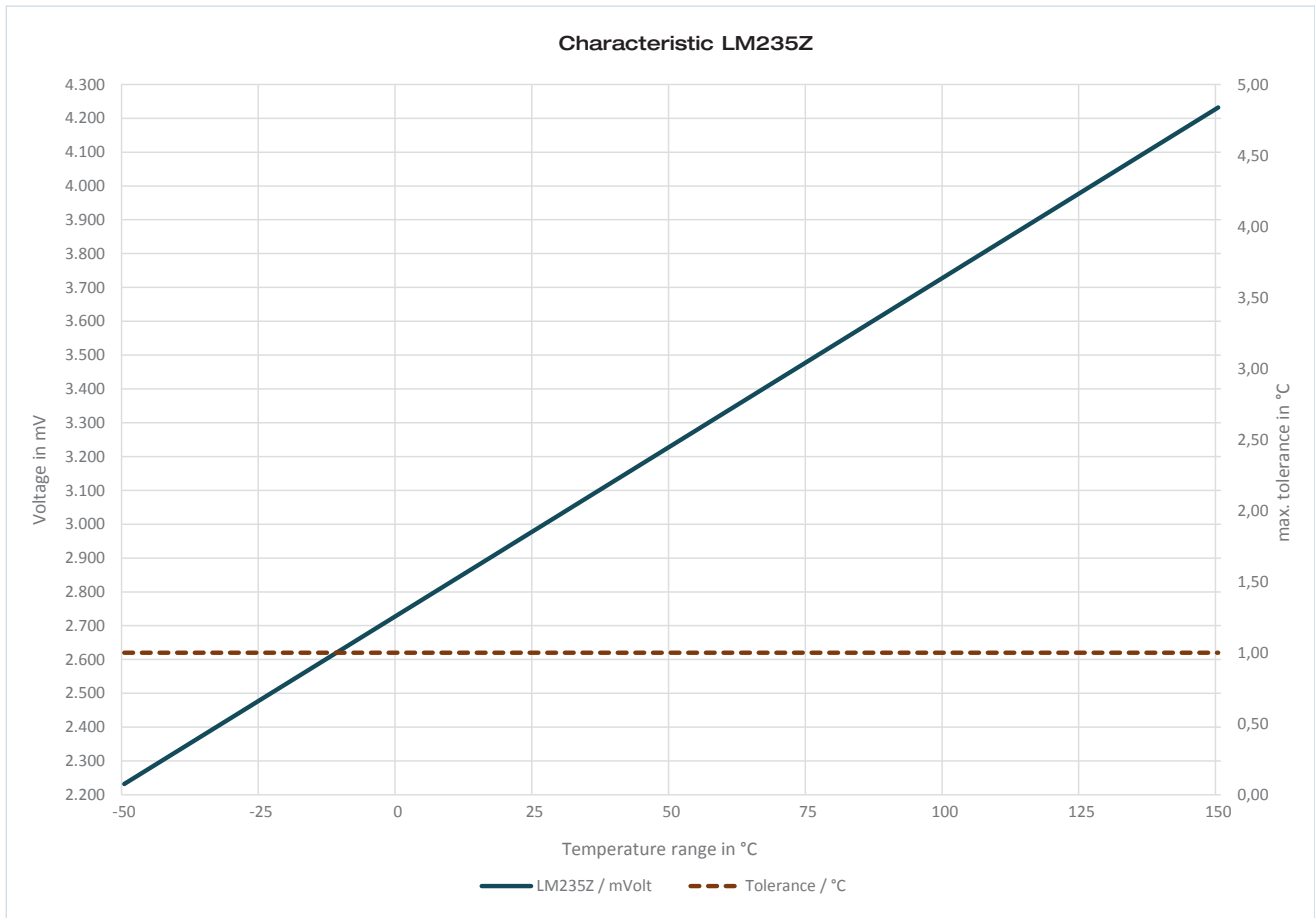
HP / CK 10.06.2024

Testo Sensor GmbH

+49 7653 96597-71
 Testo-Straße 1
 D-79853 Lenzkirch

webshop@testo-sensor.de
 Please find our whole temperature probe and transmitter portfolio in our webshop at: www.testo-sensor.shop

Managing Director: Prof. Burkart Knospe, Martin Arndt, Timo Löffler
 Amtsgericht Freiburg HRB 706025 | Umsatzsteuer-ID.: DE274417683



HP / CK 10.06.2024

Testo Sensor GmbH

Testo-Straße 1
D-79853 Lenzkirch

+49 7653 96597-71

webshop@testo-sensor.de



Please find our whole temperature probe and transmitter portfolio in our webshop at: www.testo-sensor.shop

Managing Director: Prof. Burkart Knospe, Martin Arndt, Timo Löffler

Amtsgericht Freiburg HRB 706025 | Umsatzsteuer-ID.: DE274417683

Characteristic KTY 81-210

Measuring range: -50 °C to +150 °C

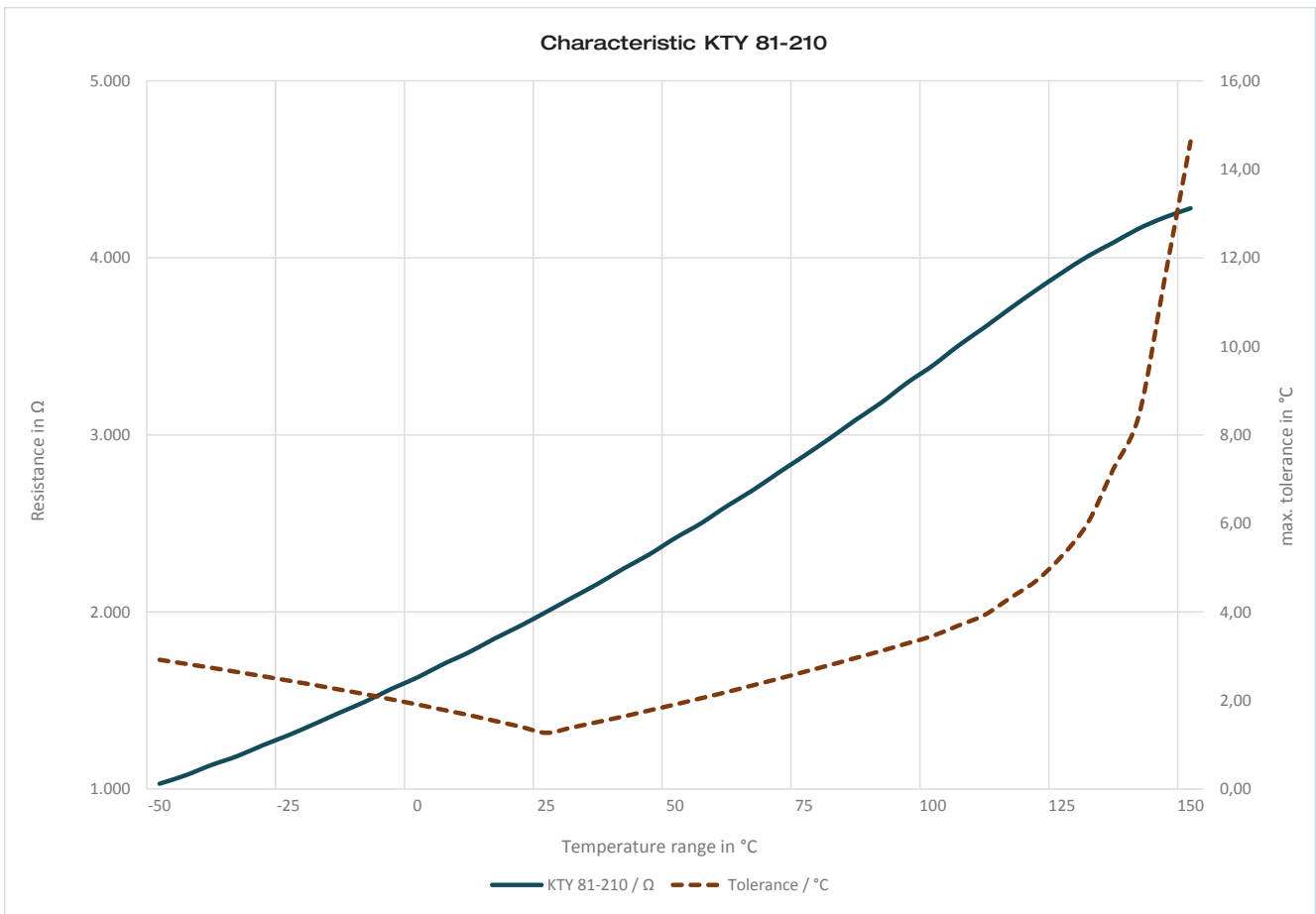
Example values @ +25 °C	
+°C	-°C
1,27	-1,27

T °C	R Ω	Max. tol. ± in °C*
-50	1.030	2,9
-40	1.135	2,7
-30	1.247	2,6
-20	1.367	2,4
-10	1.495	2,1
0	1.630	1,9
10	1.772	1,7
20	1.922	1,4
25	2.000	1,3

T °C	R Ω	Max. tol. ± in °C*
30	2.080	1,4
40	2.245	1,6
50	2.417	1,9
60	2.597	2,2
70	2.785	2,5
80	2.980	2,8
90	3.182	3,1
100	3.392	3,5

T °C	R Ω	Max. tol. ± in °C*
110	3.607	3,9
120	3.817	4,7
125	3.915	5,3
130	4.008	6,0
140	4.166	8,5
150	4.280	14,6

* Maximum tolerance



HP / CK 10.06.2024

To keep the temperature error low, an operating current of $I_{sen(cont)} = 1 \text{ mA}$ is recommended for temperatures above 100 °C
 For further information see data sheet: https://www.nxp.com/docs/en/data-sheet/KTY81_SER.pdf

Testo Sensor GmbH

+49 7653 96597-71
 Testo-Straße 1
 D-79853 Lenzkirch

webshop@testo-sensor.de
 Please find our whole temperature probe and transmitter portfolio in our webshop at: www.testo-sensor.shop

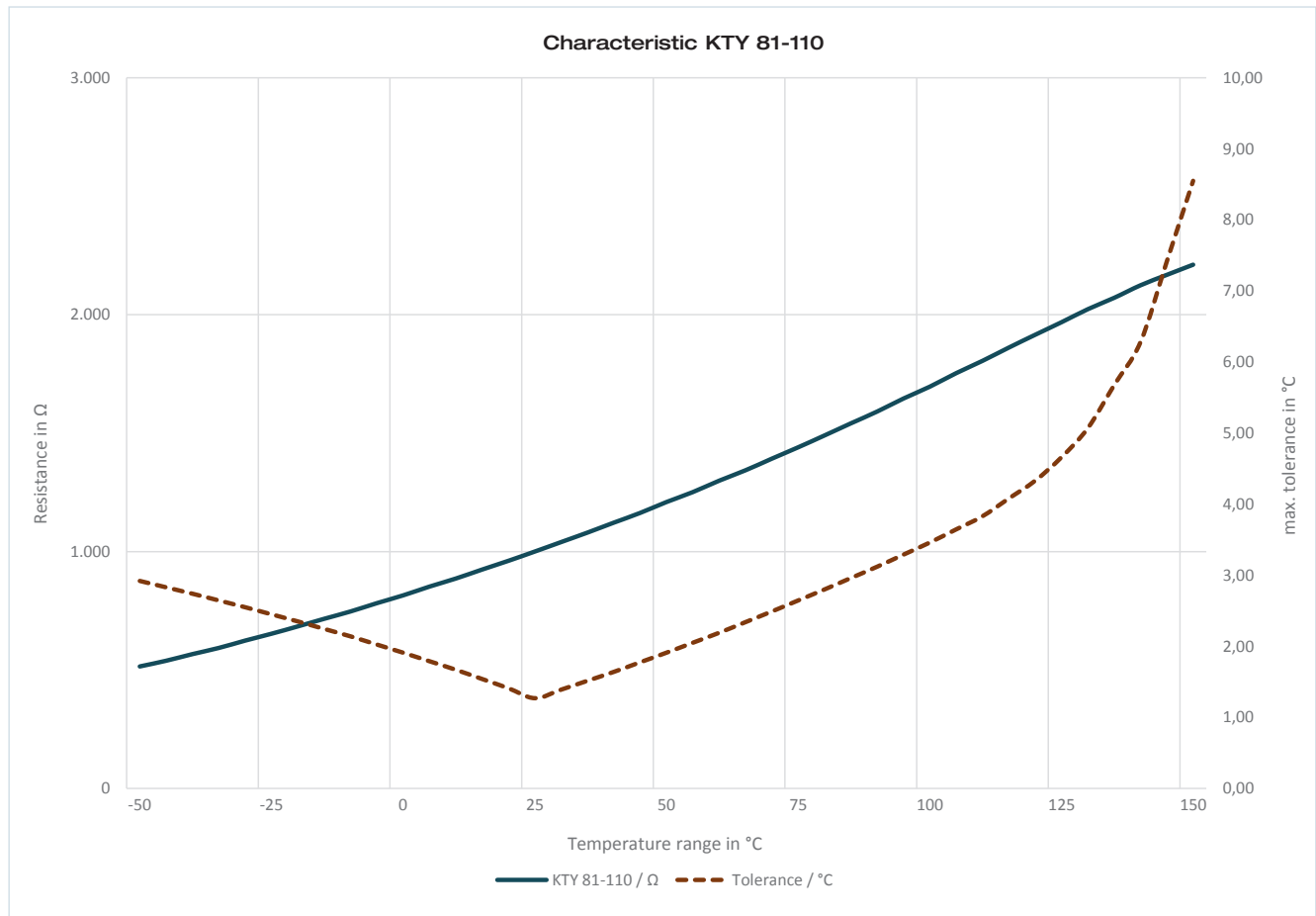
Managing Director: Prof. Burkart Knospe, Martin Arndt, Timo Löffler
 Amtsgericht Freiburg HRB 706025 | Umsatzsteuer-ID.: DE274417683

Characteristic KTY 81-110

Measuring range: -50 °C to +150 °C

Example values @ +25 °C	
+°C	-°C
1,27	-1,27

T	R	max. tol. ±	T	R	max. tol. ±	T	R	max. tol. ±
°C	Ω	in °C*	°C	Ω	in °C*	°C	Ω	in °C*
-50	515	2,9	30	1.040	1,4	110	1.805	3,8
-40	567	2,7	40	1.122	1,6	120	1.915	4,3
-30	624	2,6	50	1209	1,9	125	1.968	4,7
-20	684	2,4	60	1.299	2,2	130	2.023	5,1
-10	747	2,1	70	1.392	2,5	140	2.124	6,3
0	815	1,9	80	1.490	2,8	150	2.211	8,6
10	886	1,7	90	1.591	3,1	*Maximum tolerance		
20	961	1,4	100	1696	3,5			
25	1.000	1,3						



To keep the temperature error low, an operating current of $I_{sen(cont)} = 1 \text{ mA}$ is recommended for temperatures above 100 °C
 For further information see data sheet: https://www.nxp.com/docs/en/data-sheet/KTY81_SER.pdf

HP / CK 10.06.2024

Testo Sensor GmbH

+49 7653 96597-71 Managing Director: Prof. Burkart Knospe, Martin Arndt, Timo Löffler
 Testo-Straße 1 webshop@testo-sensor.de Amtsgericht Freiburg HRB 706025 | Umsatzsteuer-ID.: DE274417683
 D-79853 Lenzkirch Please find our whole temperature probe and transmitter portfolio in our webshop at: www.testo-sensor.shop

Testo Sensor GmbH
Testo-Strasse 1
79853 Lenzkirch

Phone: +49 7653 96597 0
Fax: +49 7653 96597 99
E-mail: info@testo-sensor.de

Handelsregister: HRB 706025
Registergericht: Amtsgericht Freiburg

HP / CK 10.06.2024

All rights reserved. Changes to the documents are not authorised.
We reserve the right to make technical changes.
Please read the operating instructions before starting any work.