

Room transmitter stainless steel 4-20 mA

Article number: 801110 3012

Our stainless steel room transmitter has a 4-20 mA current output and can be mounted using screws. The stainless steel 4-20 mA room transmitter has eight switchable measuring ranges, a stainless steel housing and is suitable for measuring the temperature in indoor areas such as offices, supermarkets and schools.



Supply and output

Output	4 - 20 mA
Power consumption	< 1,0 VA / 24 V DC
Voltage supply	15 - 36 V DC
Connection type	2-Wire

General information

Measuring range	multi-range switching with 8 switchable measuring ranges Operating range: -30 °C to 70 °C with manual zero point correction (± 10 K)
Sensor	Pt1000, DIN EN 60751, Class B
Temperature deviation	typically ± 0.2 K at +25 °C
Load	$R_a \text{ (Ohm)} = (U_b - 14 \text{ V}) / 0,02 \text{ A}$
Process connection	by screws

Housing

Material	Stainless steel 1.4301 SUS 304
Dimensions (L/W/H) (mm)	75 x 75 x 25
Color	not specified
Electrical connection	0.14 - 1.5 mm ² , via screw terminals on circuit board

Ambient conditions

Ambient temperature	-30 °C to +70 °C
Permissible air humidity	< 95 % r. H., non-precipitating air

Certifications / Standards

Protection class	III (nach EN 60 730)
Protection type	IP 30 according to EN 60 529
Standards	CE conformity electromagnetic compatibility according to EN 61326 according to EMC Directive 2014/ 30/ EU

MW / CK / 16.01.2024

Testo Sensor GmbH

Testo-Straße 1
D-79853 Lenzkirch

+49 7653 96597-0
+49 7653 96597-99

info@testo-sensor.de
www.testo-sensor.de

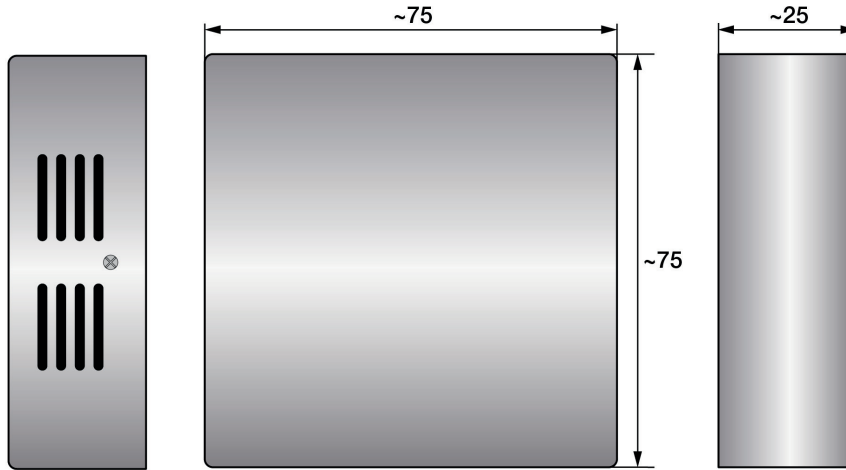
Unser Standard-Portfolio finden Sie in unserem
Webshop unter: www.testo-sensor.shop

Delivery and Packing

Delivery	Transmitter, Operating instructions
Packing	individually packed in cardboard box
Article number	801110 3012

Technical drawing

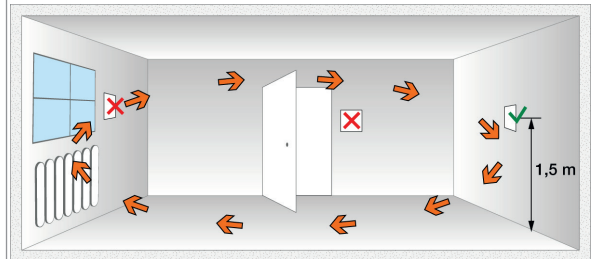
All dimensions in mm



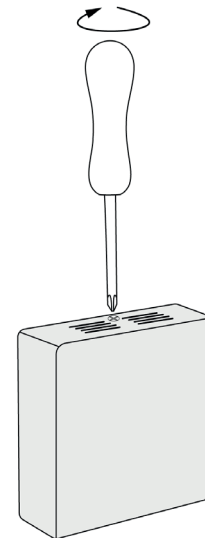
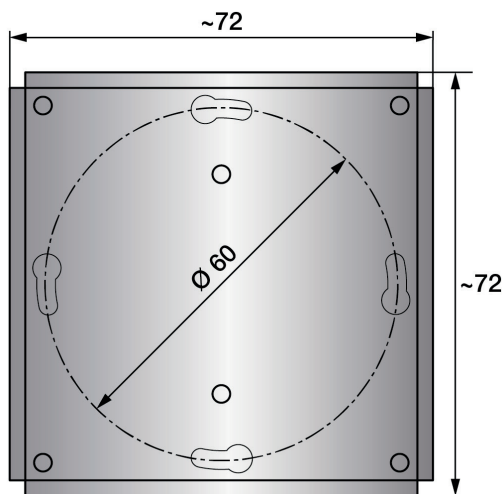
Important assembly instructions

For an accurate measurement of the room temperature, it is important to consider the temperature dynamics in the room. Air circulation should only take place through the openings in the housing cover. Therefore, the transmitter should be installed away from objects or obstacles that shield air movement. Please also be sure to avoid uncontrolled air currents (draughts) by installing near doors or windows. In addition, the transmitter should not be mounted on the colder outside wall.

Wall mounting or on flush-mounted box, Ø 55 mm, bottom part with 4-hole, for mounting on vertically or horizontally installed flush-mounted boxes for cable entry at the rear, with predetermined breaking point for cable entry at the top/ bottom for surface-mounted units.

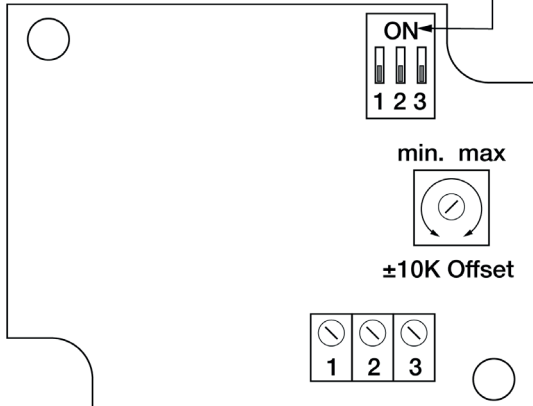
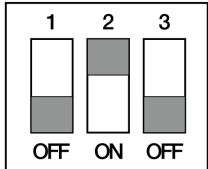


Drilling template



MW / CK / 16.01.2024

Circuit diagrams and assignment (Please also read the operating instructions before connecting the transmitter)

Wiring diagram	Assignment	Set scaling via DIP switch																																				
<p>DIP-Schalter Messbereichsumschaltung DIP switches Measuring range changeover</p> 	<p>1 = +UB 24 V DC</p> <p>2 = Output temperature 4-20 mA (°C)</p> <p>3 = n.c.</p> <p>Default configuration</p> <p>Werkseinstellungen: Skalierung: 0 .. 50 °C</p> 	<p>Messbereichsumschaltung via DIP-Schalter Changing measuring range via DIP switches</p> <table border="1"> <thead> <tr> <th>DIP 1</th> <th>DIP 2</th> <th>DIP 3</th> <th>Scaling Range</th> </tr> </thead> <tbody> <tr> <td>on</td> <td>on</td> <td>on</td> <td>-20 .. +150°C</td> </tr> <tr> <td>off</td> <td>on</td> <td>on</td> <td>-50 .. +50°C</td> </tr> <tr> <td>on</td> <td>off</td> <td>on</td> <td>-20 .. +80°C</td> </tr> <tr> <td>off</td> <td>off</td> <td>on</td> <td>-30 .. +60°C</td> </tr> <tr> <td>on</td> <td>on</td> <td>off</td> <td>0 .. +40°C</td> </tr> <tr> <td>off</td> <td>on</td> <td>off</td> <td>0 .. +50°C</td> </tr> <tr> <td>on</td> <td>off</td> <td>off</td> <td>0 .. +100°C</td> </tr> <tr> <td>off</td> <td>off</td> <td>off</td> <td>0 .. +150°C</td> </tr> </tbody> </table>	DIP 1	DIP 2	DIP 3	Scaling Range	on	on	on	-20 .. +150°C	off	on	on	-50 .. +50°C	on	off	on	-20 .. +80°C	off	off	on	-30 .. +60°C	on	on	off	0 .. +40°C	off	on	off	0 .. +50°C	on	off	off	0 .. +100°C	off	off	off	0 .. +150°C
DIP 1	DIP 2	DIP 3	Scaling Range																																			
on	on	on	-20 .. +150°C																																			
off	on	on	-50 .. +50°C																																			
on	off	on	-20 .. +80°C																																			
off	off	on	-30 .. +60°C																																			
on	on	off	0 .. +40°C																																			
off	on	off	0 .. +50°C																																			
on	off	off	0 .. +100°C																																			
off	off	off	0 .. +150°C																																			

MW / CK / 16.01.2024

Testo Sensor GmbH

Testo-Straße 1
D-79853 Lenzkirch

+49 7653 96597-0
+49 7653 96597-99

info@testo-sensor.de
www.testo-sensor.de

Unser Standard-Portfolio finden Sie in unserem
Webshop unter: www.testo-sensor.shop