

Outdoor temperature transmitter 4-20 mA

Article number: 801012 1012

Our outdoor transmitter with 4-20 mA current output has the sensor in an external protective tube. The outdoor temperature transmitter 4-20 mA with the plastic housing with quick-locking screws has eight switchable measuring ranges and either a cable gland or an M12 connector in accordance with DIN EN 61076-2-101.

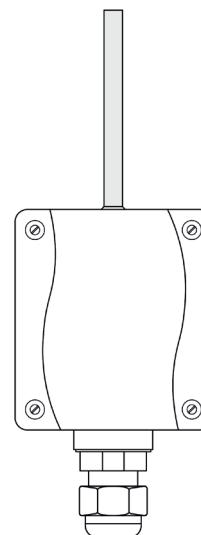


Kabelverschraubung
Cable gland



M12 Verbinder
M12 Plug connector

Configurable options
K - Screw connection



Supply and output

Output	4 - 20 mA
Power consumption	< 1,0 VA / 24 V DC
Voltage supply	15 - 36 V DC
Connection type	2-Wire

General information

Measuring range	multi-range switching with 8 switchable measuring ranges Operating range: -30 °C to 70 °C with manual zero point correction (± 10 K)
Sensor	Pt1000, DIN EN 60751, Class B
Temperature deviation	typically ± 0.2 K at +25 °C
Load	R_a (Ohm) = $(U_b - 14 \text{ V}) / 0,02 \text{ A}$
Process connection	by screws

Gehäuse

Material	Plastic, UV-resistant Material polyamide, 30 % glass bead reinforced
Dimensions (L/W/H) (mm)	72 x 64 x 37,8
Color	Traffic white (similar to RAL9016)
Electrical connection	0.14 - 1.5 mm ² , via screw terminals on circuit board
Closure	with quick release screws

Protection sleeve

Material	Stainless steel 1.4571 316Ti
Ø (mm)	6
Length (mm)	65

Ambient conditions

Ambient temperature	-30 °C to +70 °C	Permissible air humidity	< 95 % r. H., non-precipitating air
---------------------	------------------	--------------------------	-------------------------------------

Certifications / Standards

Protection class	III (nach EN 60 730)	Standards	CE conformity electromagnetic compatibility according to EN 61326 according to EMC Directive 2014/ 30/ EU
Protection type	IP 65 according to EN 60 529		

MW / KS / 07.12.2023

Testo Sensor GmbH

Testo-Straße 1
D-79853 Lenzkirch

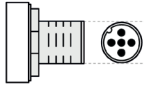
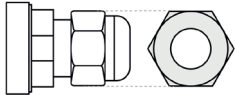
+49 7653 96597-0
+49 7653 96597-99

info@testo-sensor.de
www.testo-sensor.de

Unser Standard-Portfolio finden Sie in unserem
Webshop unter: www.testo-sensor.shop

Delivery and Packing

Delivery	Transmitter, Operating instructions
Packing	individually packed in PE bag

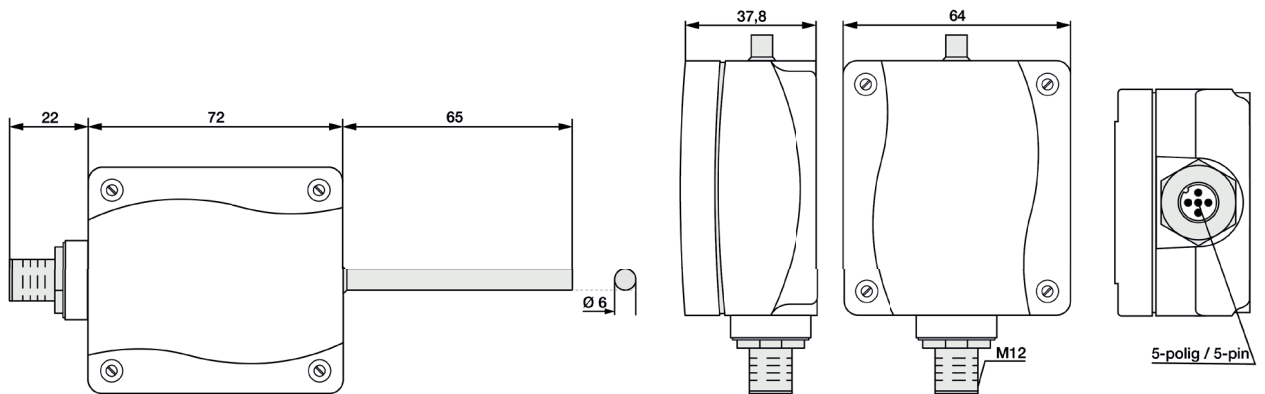
Your order code		K - Screw connection		
Article number	Screw connection	code	Screw connection	Technical drawing
801012 1012	K_____	K1	M12 plug connector, Acc. DIN EN 617076-2-101	
		K3	Cable gland, Plastic, M16x1,5, Strain relief, replaceable, max. 10,4 mm Ø Inner	

Technical drawing

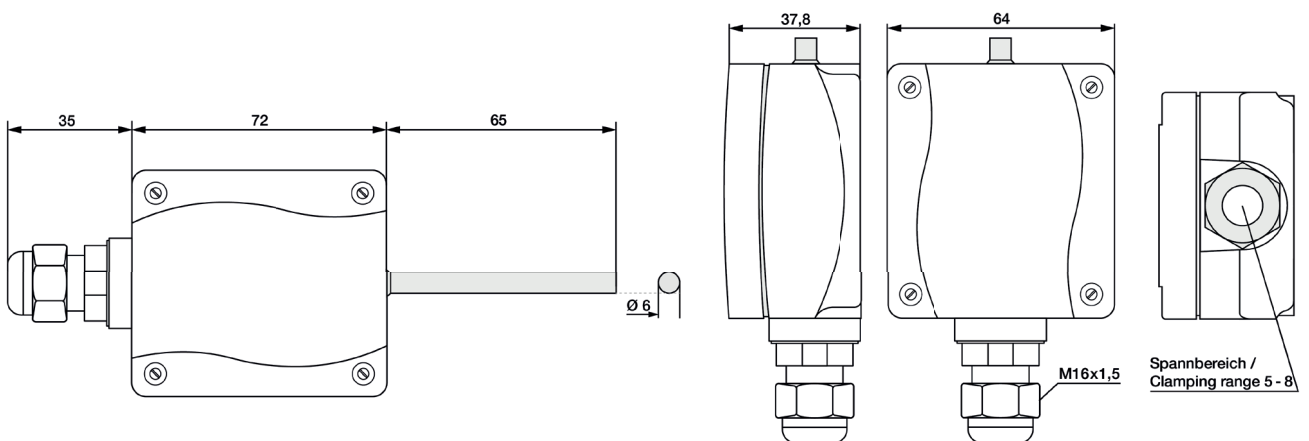
Configurable options
K - Screw connection

All dimensions in mm

K1 - M12 plug connector



K3 - Cable gland



MM / KS / 07.12.2023

Testo Sensor GmbH

Testo-Straße 1
D-79853 Lenzkirch

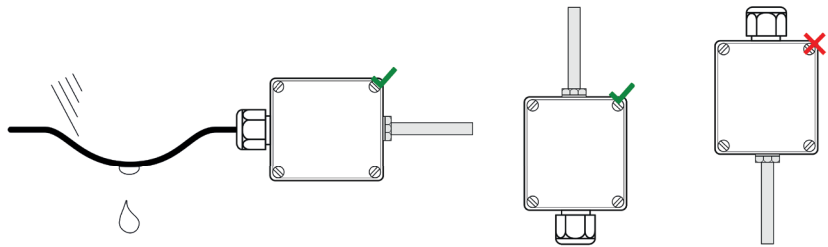
+49 7653 96597-0
+49 7653 96597-99

info@testo-sensor.de
www.testo-sensor.de

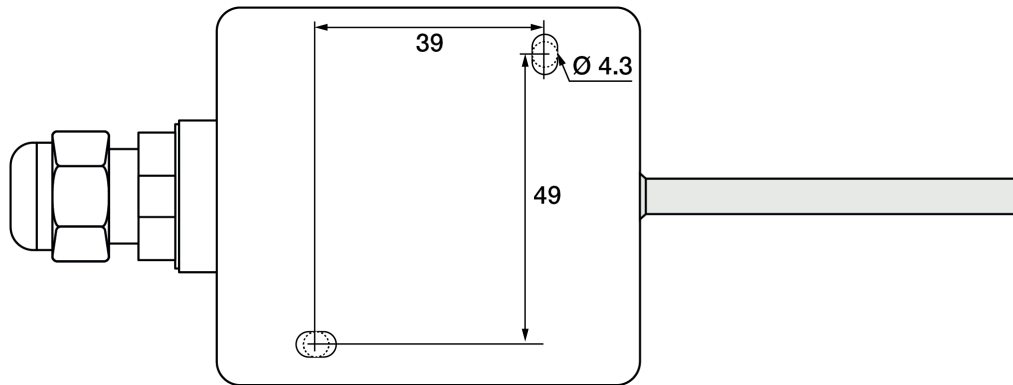
Unser Standard-Portfolio finden Sie in unserem
Webshop unter: www.testo-sensor.shop

Important assembly instructions

Mount your outdoor transmitter with sufficient distance to vents, windows or doors and preferably on the north wall, alternatively on west or east wall of the building. Avoid direct sunlight and rain. Use Sun Protection if necessary. Please lay the cables downwards so that rainwater can drip off in a defined manner. Please take the permissible ambient conditions into account during installation.



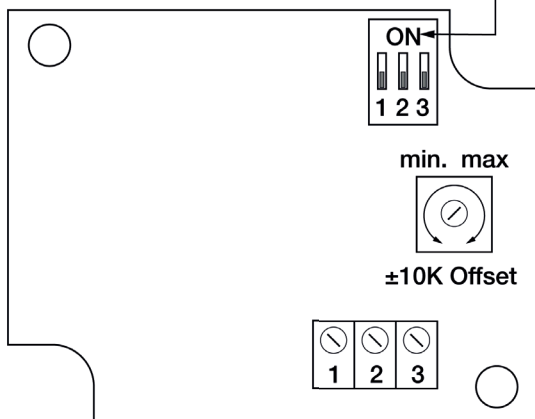
Drilling template



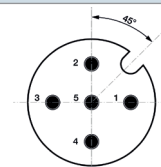
Circuit diagrams and assignment (Please also read the operating instructions before connecting the transmitter)

Wiring diagram

DIP-Schalter Messbereichumschaltung
DIP switches Measuring range changeover



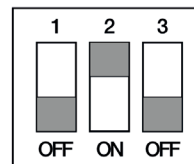
Pin assignment (M12)



- 1 = +UB 15-36 V DC
- 2 = Output temperature 4-20 mA (°C)
- 3 = free
- 4 = free
- 5 = Shield

Default configuration

Werkseinstellungen:
Skalierung: 0 .. 50 °C



Set scaling via DIP switch

Messbereichumschaltung via DIP-Schalter
Changing measuring range via DIP switches

DIP 1	DIP 2	DIP 3	Scaling Range
on	on	on	-20 .. +150°C
off	on	on	-50 .. +50°C
on	off	on	-20 .. +80°C
off	off	on	-30 .. +60°C
on	on	off	0 .. +40°C
off	on	off	0 .. +50°C
on	off	off	0 .. +100°C
off	off	off	0 .. +150°C

Assignment

- 1 = +UB 24 V DC
- 2 = Output temperature 4-20 mA (°C)
- 3 = -UB GND

Please also read the operating instructions before connecting the transmitter

MW / KS / 07.12.2023

Testo Sensor GmbH

Testo-Straße 1
D-79853 Lenzkirch


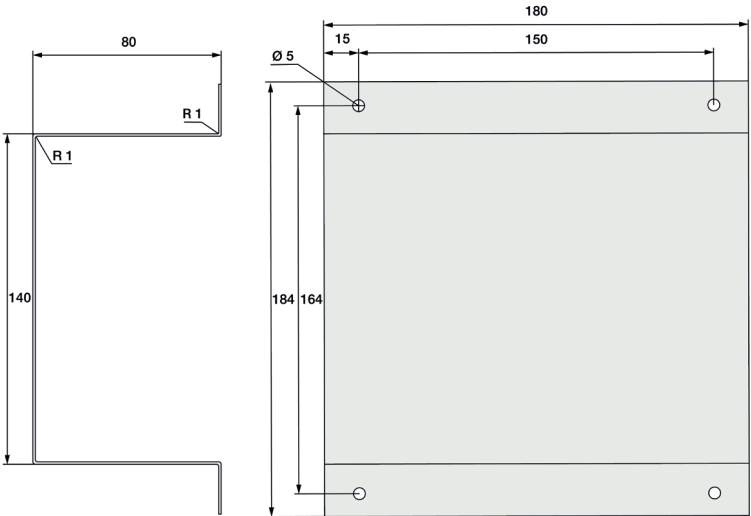
+49 7653 96597-0
+49 7653 96597-99


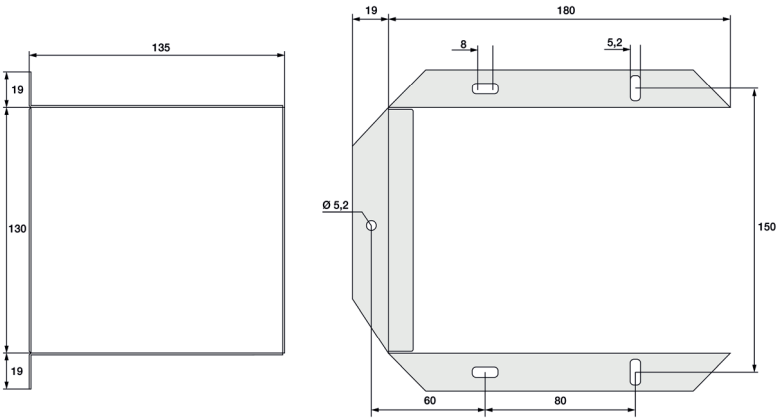
info@testo-sensor.de
www.testo-sensor.de

Unser Standard-Portfolio finden Sie in unserem
Webshop unter: www.testo-sensor.shop

Accessories

Sun Protection

Sun Protection WS-01	
Article image	Technical drawing
	
Your order code	
Article number	809510 3000
Material	Stainless steel 1.4301 SUS 304
Dimension (L/W/H) (mm)	184 x 180 x 80
Material thickness (mm)	1
Fastening	4 x Ø 5 mm drill holes

Sun Protection WS-04	
Article image	Technical drawing
	
Your order code	
Article number	809510 4000
Material	Stainless steel 1.4301 SUS 304
Dimension (L/W/H) (mm)	130 x 180 x 135
Material thickness (mm)	1
Fastening	5 x Ø 5,2 mm drill holes

MM / KS / 07.12.2023

Testo Sensor GmbH

Testo-Straße 1
D-79853 Lenzkirch

+49 7653 96597-0
+49 7653 96597-99

info@testo-sensor.de
www.testo-sensor.de

Unser Standard-Portfolio finden Sie in unserem
Webshop unter: www.testo-sensor.shop