

Plug-in transmitter 0-10 V

Article number: 803312 1013

With our plug-in transmitter with the 0-10 V voltage output, you will find suitable immersion sleeves (stainless steel immersion sleeve for aggressive media) and mounting flanges in the accessories for quick and easy installation. The 0-10 V plug-in transmitter measures the temperature in liquid or gaseous media, has eight switchable measuring ranges and a housing with snap-on cover and IP 54.

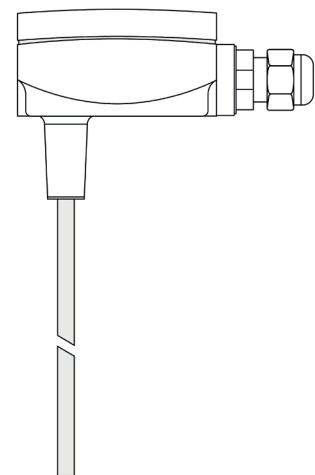


| Supply and output | |
|-------------------|--|
| Output | 0 - 10 V |
| Power consumption | < 1,0 VA / 24 V DC; < 2,2 VA / 24 V AC |
| Voltage supply | 24 V AC / DC (± 10 %) |
| Connection type | 3-Wire |

| General information | |
|-----------------------|---|
| Measuring range | multi-range switching with 8 switchable measuring ranges with manual zero point correction (± 10 K) |
| Sensor | Pt1000, DIN EN 60751, Class B |
| Temperature deviation | typically ± 0.2 K at +25 °C |
| Load resistance | RI > 5 kOhm |
| Process connection | by using an immersion sleeve or mounting flange |

| Gehäuse | |
|-------------------------|---|
| Material | Plastic, UV-resistant Material polyamide, 30 % glass bead reinforced |
| Dimensions (L/W/H) (mm) | 72 x 64 x 37,8 |
| Color | Traffic white (similar to RAL9016) |
| Electrical connection | 0.14 - 1.5 mm ² , via screw terminals on circuit board |
| Closure | with snap cap |

Configurable options
C - Mounting length



| Protection sleeve | | Technical drawing | |
|----------------------|-------------------------------------|--------------------|-------------|
| Material | Stainless steel 1.4571 316TI | | |
| Ø (mm) | 6 | | |
| Your order code | | C -Mounting length | |
| Article number | Mounting length | code | Length (mm) |
| 803312 1013 | C_____ | C0050 | 50 |
| Delivery and Packing | | C0100 | 100 |
| Delivery | Transmitter, Operating instructions | C0150 | 150 |
| | | C0200 | 200 |
| Packing | individually packed in PE bag | C0250 | 250 |
| | | C0300 | 300 |
| | | C0400 | 400 |

MW / KS / 12.12.2023

Testo Sensor GmbH

Testo-Straße 1
D-79853 Lenzkirch

+49 7653 96597-0
+49 7653 96597-99

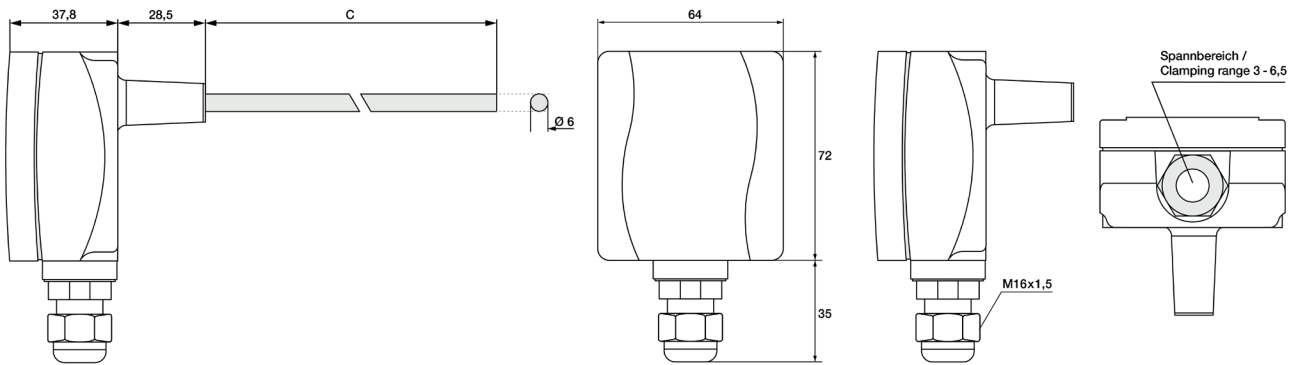
info@testo-sensor.de
www.testo-sensor.de

You can find our standard portfolio in our webshop at: www.testo-sensor.shop

| Ambient conditions | | | |
|----------------------------|------------------------------|--------------------------|---|
| Ambient temperature | -30 °C to +70 °C | Permissible air humidity | < 95 % r. H., non-precipitating air |
| Certifications / Standards | | | |
| Protection class | III (nach EN 60 730) | Standards | CE conformity electromagnetic compatibility according to EN 61326 according to EMC Directive 2014/ 30/ EU |
| Protection type | IP 54 according to EN 60 529 | | |

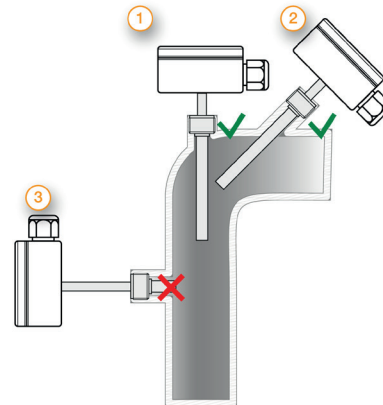
Technical drawing

Configurable options C - Mounting length All dimensions in mm



Important assembly instructions

Measurement errors can occur due to heat dissipation to the environment. To keep these as small as possible, we recommend immersing the protection sleeve of your temperature probe as deeply as possible in the medium to be measured when installing it. The optimum installation depth should be 10-15 times the Ø of the protection sleeve. Please make sure that you have enough space so that you can remove the probe again if necessary. Mounting by means of a mounting flange: Please ensure that the Ø of the mounting flange matches the Ø of the protection sleeve. Mounting by using an immersion sleeve: Please make sure that the Ø and the length of the immersion sleeve match the installation situation so that the minimum immersion depth can be reached. Since the probe is not inserted directly into the medium, but via the immersion sleeve, the response times are somewhat slower. The probe should be selected so that the protection sleeve touches the bottom of the immersion sleeve and the air cushion around the protection tube is as small as possible. The use of thermal conduction paste can improve the response times.



Circuit diagrams and assignment (Please also read the operating instructions before connecting the transmitter)

| Wiring diagram | Default configuration | Set scaling via DIP switch | | | | | | | | | | | | | | | | | | | | | | | | | | | | | | | | | | | | |
|--|---|--|---------------|-------|-------|---------------|----|----|----|---------------|-----|----|----|--------------|----|-----|----|--------------|-----|-----|----|--------------|----|----|-----|------------|-----|----|-----|------------|----|-----|-----|-------------|-----|-----|-----|-------------|
| <p>DIP-Schalter Messbereichumschaltung DIP switches Measuring range changeover</p> | <p>Werkseinstellungen: Skalierung: 0 .. 50 °C</p> <p>Assignment</p> <ul style="list-style-type: none"> 1 = +UB 24 V AC/DC 2 = Output temperature 0-10 V(°C) 3 = -UB GND | <p>Messbereichumschaltung via DIP-Schalter Changing measuring range via DIP switches</p> <table border="1"> <thead> <tr> <th>DIP 1</th> <th>DIP 2</th> <th>DIP 3</th> <th>Scaling Range</th> </tr> </thead> <tbody> <tr> <td>on</td> <td>on</td> <td>on</td> <td>-20 .. +150°C</td> </tr> <tr> <td>off</td> <td>on</td> <td>on</td> <td>-50 .. +50°C</td> </tr> <tr> <td>on</td> <td>off</td> <td>on</td> <td>-20 .. +80°C</td> </tr> <tr> <td>off</td> <td>off</td> <td>on</td> <td>-30 .. +60°C</td> </tr> <tr> <td>on</td> <td>on</td> <td>off</td> <td>0 .. +40°C</td> </tr> <tr> <td>off</td> <td>on</td> <td>off</td> <td>0 .. +50°C</td> </tr> <tr> <td>on</td> <td>off</td> <td>off</td> <td>0 .. +100°C</td> </tr> <tr> <td>off</td> <td>off</td> <td>off</td> <td>0 .. +150°C</td> </tr> </tbody> </table> | DIP 1 | DIP 2 | DIP 3 | Scaling Range | on | on | on | -20 .. +150°C | off | on | on | -50 .. +50°C | on | off | on | -20 .. +80°C | off | off | on | -30 .. +60°C | on | on | off | 0 .. +40°C | off | on | off | 0 .. +50°C | on | off | off | 0 .. +100°C | off | off | off | 0 .. +150°C |
| DIP 1 | DIP 2 | DIP 3 | Scaling Range | | | | | | | | | | | | | | | | | | | | | | | | | | | | | | | | | | | |
| on | on | on | -20 .. +150°C | | | | | | | | | | | | | | | | | | | | | | | | | | | | | | | | | | | |
| off | on | on | -50 .. +50°C | | | | | | | | | | | | | | | | | | | | | | | | | | | | | | | | | | | |
| on | off | on | -20 .. +80°C | | | | | | | | | | | | | | | | | | | | | | | | | | | | | | | | | | | |
| off | off | on | -30 .. +60°C | | | | | | | | | | | | | | | | | | | | | | | | | | | | | | | | | | | |
| on | on | off | 0 .. +40°C | | | | | | | | | | | | | | | | | | | | | | | | | | | | | | | | | | | |
| off | on | off | 0 .. +50°C | | | | | | | | | | | | | | | | | | | | | | | | | | | | | | | | | | | |
| on | off | off | 0 .. +100°C | | | | | | | | | | | | | | | | | | | | | | | | | | | | | | | | | | | |
| off | off | off | 0 .. +150°C | | | | | | | | | | | | | | | | | | | | | | | | | | | | | | | | | | | |

MW / KS / 12.12.2023

Matching accessoires: Immersion sleeves

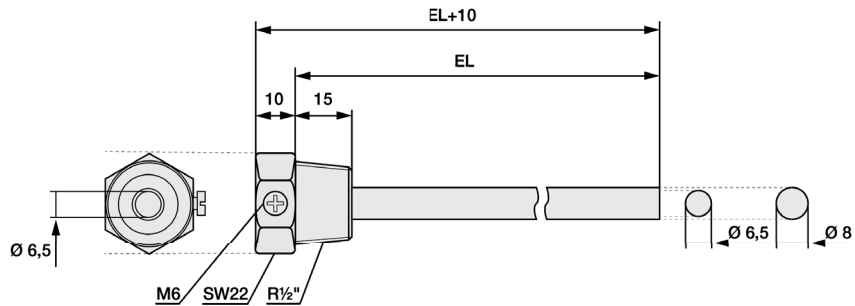
Brass immersion sleeve R1/2 " TH08-MS



| Article no. | 809521 00XX | code | Length (mm) |
|-------------------------|-------------------------------------|------|-------------|
| Temp. max | +150 °C | 05 | 50 |
| Pressure proof up to | 10 bar (statisch) | 10 | 100 |
| Material | Nickel plated | 15 | 150 |
| Process connection | R1/2 " | 20 | 200 |
| Wrench size | 22 | 25 | 250 |
| Ø Inside / Outside (mm) | 6,5 / 8 | 30 | 300 |
| Scope of delivery | Brass immersion sleeve R1/2 " TH-MS | 40 | 400 |
| Order code | 809521 00 | | |

Please attach the code for the mounting length.

Technical drawing



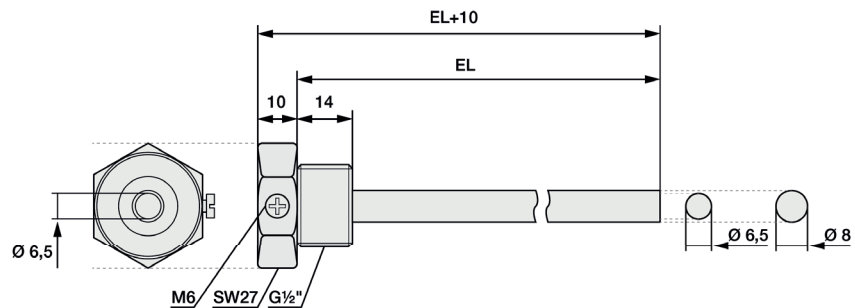
Stainless steel immersion sleeve G1/2 " TH08-VA



| Article no. | 809521 10XX | code | Length (mm) |
|-------------------------|---|------|-------------|
| Temp. max | +600 °C | 05 | 50 |
| Pressure proof up to | 40 bar (statisch) | 10 | 100 |
| Material | 1.4571 (316Ti) | 15 | 150 |
| Process connection | G1/2 " | 20 | 200 |
| Wrench size | 27 | 25 | 250 |
| Ø Inside / Outside (mm) | 6,5 / 8 | 30 | 300 |
| Scope of delivery | Stainless steel immersion sleeve G1/2 " TH-VA | 40 | 400 |
| Your order code | 809521 10 | | |

Please attach the code for the mounting length.

Technical drawing



MW / KS / 12.12.2023

Testo Sensor GmbH

Testo-Straße 1
D-79853 Lenzkirch

+49 7653 96597-0
+49 7653 96597-99

info@testo-sensor.de
www.testo-sensor.de

You can find our standard portfolio in our
webshop at: www.testo-sensor.shop

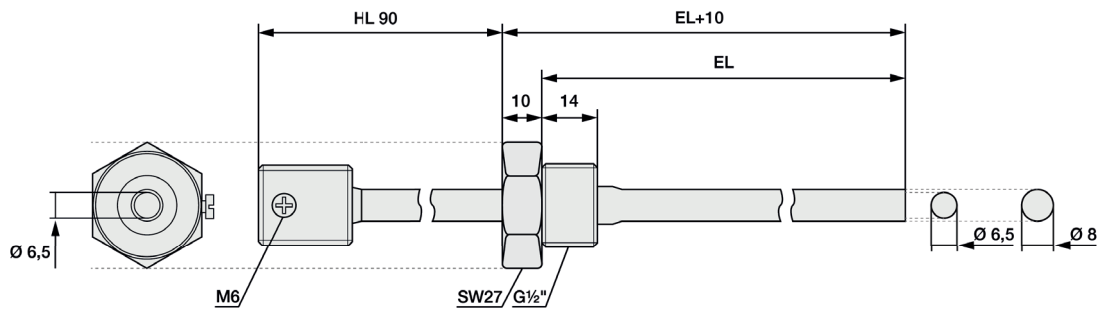
Stainless steel immersion sleeve G1/2 " with neck tube TH08-VA



| Article no. | 809521 20XX | code | Length (mm) |
|-------------------------|--|------|-------------|
| Temp. max | +600 °C | 05 | 50 |
| Pressure proof up to | 40 bar (statisch) | 10 | 100 |
| Material | 1.4571 (316TI) | 15 | 150 |
| Process connection | G1/2 " | 20 | 200 |
| Wrench size | 27 | 25 | 250 |
| Ø Inside / Outside (mm) | 6,5 / 8 | 30 | 300 |
| Length neck tube (mm) | 90 | | |
| Scope of delivery | Stainless steel immersion sleeve G1/2 " with neck tube TH-VA | | |
| Your order code | 809521 20 | | |

Please attach the code for the mounting length.

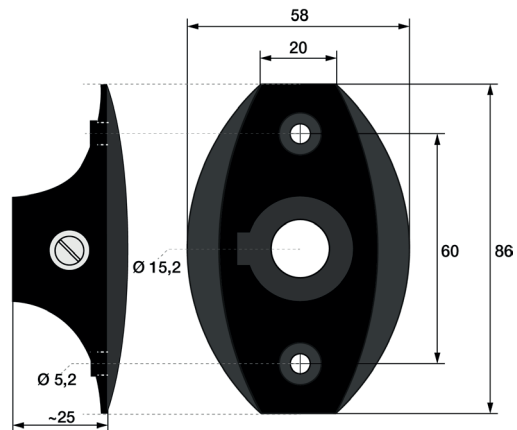
Technical drawing



Mounting flange

Plastic flange MF-15-K

| | |
|----------------|--------------------------|
| Article number | 809500 6150 |
| Material | Plastic |
| Fastening | 2 x Ø 5,2 mm drill holes |
| Hole (mm) | 15,2 |



MW / KS / 12.12.2023

Testo Sensor GmbH

Testo-Straße 1
D-79853 Lenzkirch

+49 7653 96597-0
+49 7653 96597-99

info@testo-sensor.de
www.testo-sensor.de

You can find our standard portfolio in our
webshop at: www.testo-sensor.shop