

Plug-in transmitter High with display 0-10 V

Article number: 803312 3013

Our High plug-in transmitter with display and 0-10 V voltage output comes with matching immersion sleeves (stainless steel immersion sleeve for aggressive media) and mounting flanges for quick and easy installation. The High plug-in transmitter with 0-10 V display measures the temperature in liquid or gaseous media, has eight switchable measuring ranges and a housing with a two-way display and IP 65.



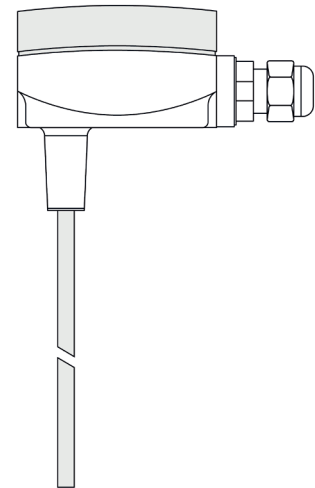
Supply and output	
Output	0 - 10 V
Power consumption	< 1,0 VA / 24 V DC; < 2,2 VA / 24 V AC
Voltage supply	24 V AC / DC (± 10 %)
Connection type	3-Wire

General information	
Measuring range	multi-range switching with 8 switchable measuring ranges with manual zero point correction (± 10 K)
Sensor	Pt1000, DIN EN 60751, Class B
Temperature deviation	typically ± 0.2 K at +25 °C
Load resistance	RI > 5 kOhm
Process connection	by using an immersion sleeve or mounting flange

Gehäuse	
Material	Plastic, UV-resistant Material polyamide, 30 % glass bead reinforced
Dimensions (L/W/H) (mm)	Aluminum die casting
Color	Traffic white (similar to RAL9016)
Electrical connection	0.14 - 1.5 mm ² , via screw terminals on circuit board
Closure	with quick release screws

Display	
Display	Two lines, lighted For display of actual temperature and self-diagnostics (overrange, underrange, probe break, probe short-circuit)
Cut-out Display (B/H) (mm)	ca. 36 x 15

Configurable options
C - Mounting length



Protection sleeve		Technical drawing			
Material	Stainless steel 1.4571 316TI				
Ø (mm)	6				
Your order code	C -Mounting length				
Article number	Mounting length			code	Length (mm)
803312 3013	C_____			C0050	50
Delivery and Packing		C0100	100		
Delivery	Transmitter, Operating instructions	C0150	150		
		C0200	200		
Packing	individually packed in PE bag	C0250	250		
		C0300	300		
		C0400	400		

MW / KS / 12.12.2023

Testo Sensor GmbH

Testo-Straße 1
D-79853 Lenzkirch

+49 7653 96597-0
+49 7653 96597-99

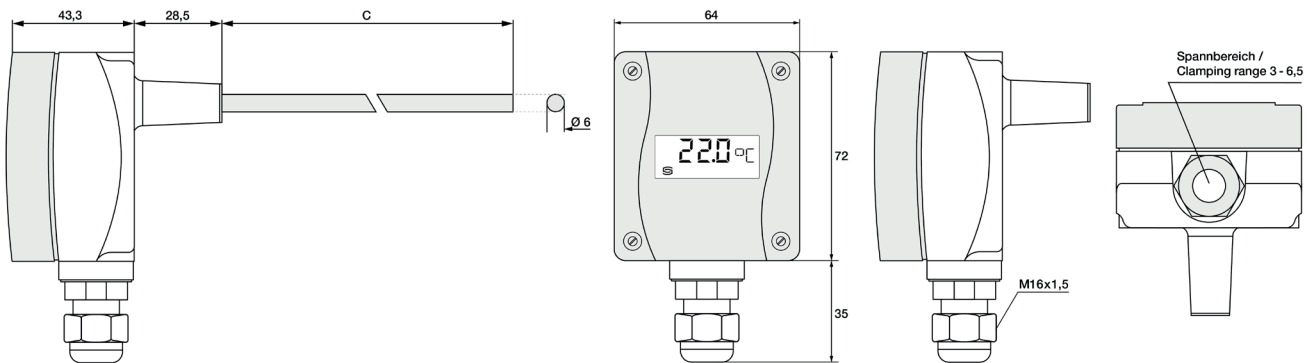
info@testo-sensor.de
www.testo-sensor.de

You can find our standard portfolio in our webshop at: www.testo-sensor.shop

Ambient conditions			
Ambient temperature	-30 °C to +70 °C	Permissible air humidity	< 95 % r. H., non-precipitating air
Certifications / Standards			
Protection class	III (nach EN 60 730)	Standards	CE conformity electromagnetic compatibility according to EN 61326 according to EMC Directive 2014/ 30/ EU
Protection type	IP 65 according to EN 60 529		

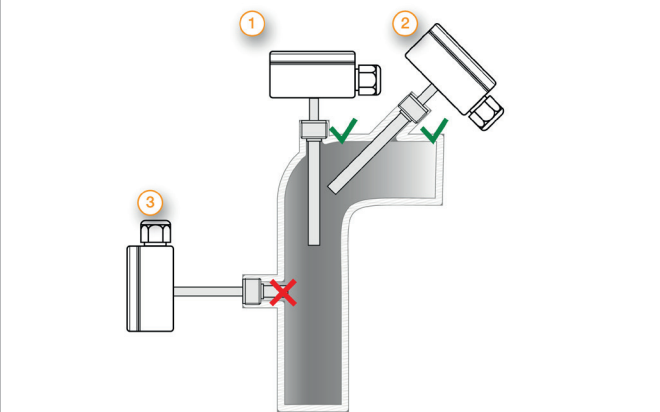
Technical drawing

Configurable options C - Mounting length All dimensions in mm



Important assembly instructions

Measurement errors can occur due to heat dissipation to the environment. To keep these as small as possible, we recommend immersing the protection sleeve of your temperature probe as deeply as possible in the medium to be measured when installing it. The optimum installation depth should be 10-15 times the Ø of the protection sleeve. Please make sure that you have enough space so that you can remove the probe again if necessary. Mounting by means of a mounting flange: Please ensure that the Ø of the mounting flange matches the Ø of the protection sleeve. Mounting by using an immersion sleeve: Please make sure that the Ø and the length of the immersion sleeve match the installation situation so that the minimum immersion depth can be reached. Since the probe is not inserted directly into the medium, but via the immersion sleeve, the response times are somewhat slower. The probe should be selected so that the protection sleeve touches the bottom of the immersion sleeve and the air cushion around the protection tube is as small as possible. The use of thermal conduction paste can improve the response times.



Circuit diagrams and assignment (Please also read the operating instructions before connecting the transmitter)

Wiring diagram	Default configuration	Set scaling via DIP switch																																				
<p>DIP-Schalter Messbereichumschaltung DIP switches Measuring range changeover</p>	<p>Werkseinstellungen: Skalierung: 0 .. 50 °C</p> <p>Assignment</p> <ul style="list-style-type: none"> 1 = +UB 24 V AC/DC 2 = Output temperature 0-10 V(°C) 3 = -UB GND 	<p>Messbereichumschaltung via DIP-Schalter Changing measuring range via DIP switches</p> <table border="1"> <thead> <tr> <th>DIP 1</th> <th>DIP 2</th> <th>DIP 3</th> <th>Scaling Range</th> </tr> </thead> <tbody> <tr> <td>on</td> <td>on</td> <td>on</td> <td>-20 .. +150°C</td> </tr> <tr> <td>off</td> <td>on</td> <td>on</td> <td>-50 .. +50°C</td> </tr> <tr> <td>on</td> <td>off</td> <td>on</td> <td>-20 .. +80°C</td> </tr> <tr> <td>off</td> <td>off</td> <td>on</td> <td>-30 .. +60°C</td> </tr> <tr> <td>on</td> <td>on</td> <td>off</td> <td>0 .. +40°C</td> </tr> <tr> <td>off</td> <td>on</td> <td>off</td> <td>0 .. +50°C</td> </tr> <tr> <td>on</td> <td>off</td> <td>off</td> <td>0 .. +100°C</td> </tr> <tr> <td>off</td> <td>off</td> <td>off</td> <td>0 .. +150°C</td> </tr> </tbody> </table>	DIP 1	DIP 2	DIP 3	Scaling Range	on	on	on	-20 .. +150°C	off	on	on	-50 .. +50°C	on	off	on	-20 .. +80°C	off	off	on	-30 .. +60°C	on	on	off	0 .. +40°C	off	on	off	0 .. +50°C	on	off	off	0 .. +100°C	off	off	off	0 .. +150°C
DIP 1	DIP 2	DIP 3	Scaling Range																																			
on	on	on	-20 .. +150°C																																			
off	on	on	-50 .. +50°C																																			
on	off	on	-20 .. +80°C																																			
off	off	on	-30 .. +60°C																																			
on	on	off	0 .. +40°C																																			
off	on	off	0 .. +50°C																																			
on	off	off	0 .. +100°C																																			
off	off	off	0 .. +150°C																																			

MW / KS / 12.12.2023

Matching accessoires: Immersion sleeves

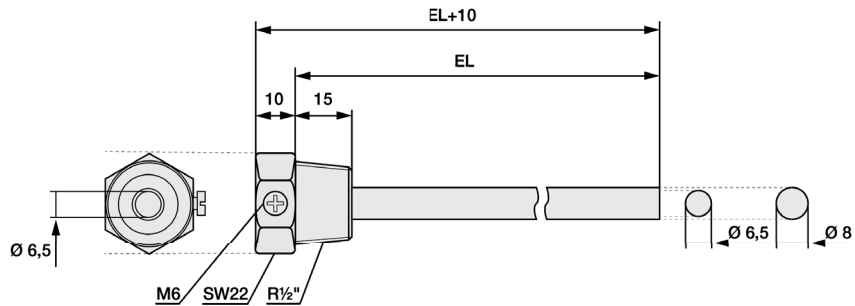
Brass immersion sleeve R1/2 " TH08-MS



Article no.	809521 00XX	code	Length (mm)
Temp. max	+150 °C	05	50
Pressure proof up to	10 bar (statisch)	10	100
Material	Nickel plated	15	150
Process connection	R1/2 "	20	200
Wrench size	22	25	250
Ø Inside / Outside (mm)	6,5 / 8	30	300
Scope of delivery	Brass immersion sleeve R1/2 " TH-MS	40	400
Order code	809521 00		

Please attach the code for the mounting length.

Technical drawing



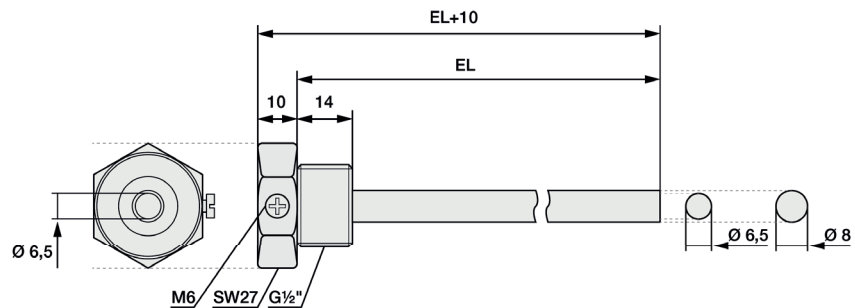
Stainless steel immersion sleeve G1/2 " TH08-VA



Article no.	809521 10XX	code	Length (mm)
Temp. max	+600 °C	05	50
Pressure proof up to	40 bar (statisch)	10	100
Material	1.4571 (316Ti)	15	150
Process connection	G1/2 "	20	200
Wrench size	27	25	250
Ø Inside / Outside (mm)	6,5 / 8	30	300
Scope of delivery	Stainless steel immersion sleeve G1/2 " TH-VA	40	400
Your order code	809521 10		

Please attach the code for the mounting length.

Technical drawing



MW / KS / 12.12.2023

Testo Sensor GmbH

Testo-Straße 1
D-79853 Lenzkirch

+49 7653 96597-0
+49 7653 96597-99

info@testo-sensor.de
www.testo-sensor.de

You can find our standard portfolio in our
webshop at: www.testo-sensor.shop

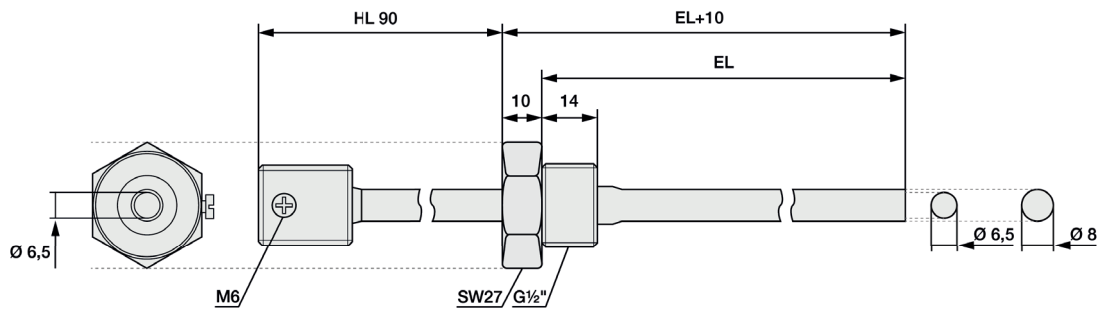
Stainless steel immersion sleeve G1/2 " with neck tube TH08-VA



Article no.	809521 20XX	code	Length (mm)
Temp. max	+600 °C	05	50
Pressure proof up to	40 bar (statisch)	10	100
Material	1.4571 (316TI)	15	150
Process connection	G1/2 "	20	200
Wrench size	27	25	250
Ø Inside / Outside (mm)	6,5 / 8	30	300
Length neck tube (mm)	90		
Scope of delivery	Stainless steel immersion sleeve G1/2 " with neck tube TH-VA		
Your order code	809521 20		

Please attach the code for the mounting length.

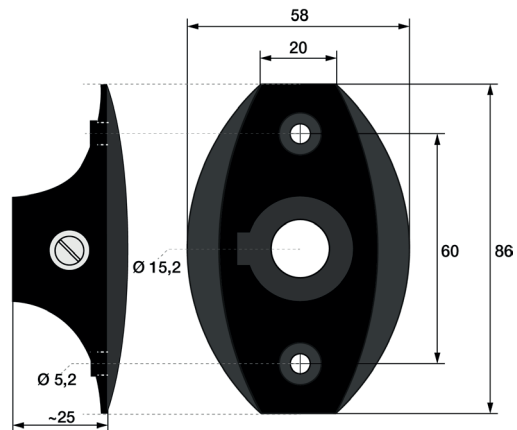
Technical drawing



Mounting flange

Plastic flange MF-15-K

Article number	809500 6150
Material	Plastic
Fastening	2 x Ø 5,2 mm drill holes
Hole (mm)	15,2



MW / KS / 12.12.2023

Testo Sensor GmbH

Testo-Straße 1
D-79853 Lenzkirch

+49 7653 96597-0
+49 7653 96597-99

info@testo-sensor.de
www.testo-sensor.de

You can find our standard portfolio in our
webshop at: www.testo-sensor.shop