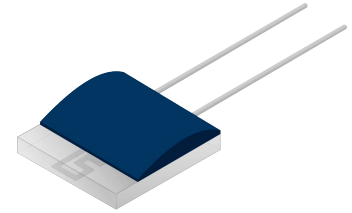


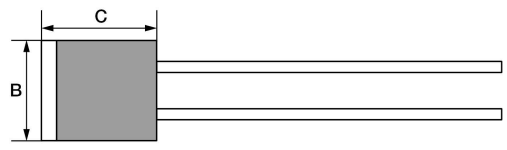
Pt100 1/3 Class B

Order nr.: 809650 1013

Pt100 measuring elements are the most widely used measuring elements in industrial temperature measurement technology. The reasons for this include their long-term stability, the large measuring range and their high measuring accuracy. According to IEC 751 / EN 806751, this Pt100 has accuracy class 1/3 B and a measuring range of -20 °C to +200 °C.



Technical data	
Sensor Type	Pt100
Accuracy	1/3 Class B according to IEC 751 / EN 60751 $dT = \pm(1/3 \cdot (0,30 \text{ °C} + 0,005 t))$
Measuring range	-20 °C to +200 °C

Technical drawing	
	<p>B: 2 ±0,15 C: 2,3 ±0,2 H: 1,1 ±0,15 in mm</p>
