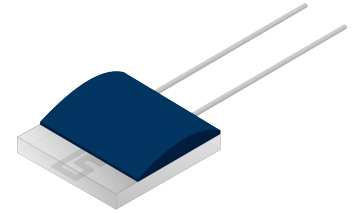


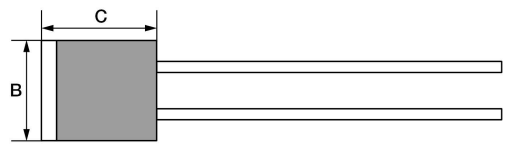
Pt1000 Class B

Order nr.: 809650 1032

Pt1000 measuring elements have a high long-term stability, a large measuring range and a high measuring accuracy. According to IEC 751 / EN 806751, this Pt1000 has accuracy class B and a measuring range of -50 °C to +400 °C.



Technical data	
Sensor Type	Pt1000
Accuracy	Class B according to IEC 751 / EN 60751 $dT = \pm(0,30 \text{ °C} + 0,005 t)$
Measuring range	-50 °C to +400 °C

Technical drawing	
	<p>B: 2,1 ±0,2 C: 2,3 +0,2 -0,1 H: 0,9 +0,3 -0,2 in mm</p>
