

Room transmitter with display 4-20 mA

Article number: 801110 2012

Our room transmitter has a 4-20 mA current output and can be mounted using screws. The room transmitter with 4-20 mA display has a Baldur 1 plastic housing with a two-line display and is suitable for measuring the temperature in indoor areas such as offices, supermarkets and schools.



Supply and output

Output	4 - 20 mA
Power consumption	< 1,0 VA / 24 V DC
Voltage supply	15 - 36 V DC
Connection type	2- or 3-wire connection (with/without display light)

General information

Measuring range	0 °C to +50 °C
Sensor	Pt1000, DIN EN 60751, Class B
Temperature deviation	typically ± 0.2 K at +25 °C
Load	Ra (Ohm) = (Ub -14 V) / 0,02 A
Process connection	by screws

Housing

Material	Plastic Material ABS
Dimensions (L/W/H) (mm)	85 x 85 x 27
Color	Pure white (similar to RAL 9010)
Electrical connection	0.14 - 1.5 mm ² , via screw terminals on circuit board

Display

Display	Two lines, lighted For display of actual temperature and self-diagnostics (overrange, underrange, probe break, probe short-circuit)
Cut-out Display (B/H) (mm)	ca. 36 x 15

Ambient conditions

Ambient temperature	-30 °C to +70 °C
Permissible air humidity	< 95 % r. H., non-precipitating air

Certifications / Standards

Protection class	III (nach EN 60 730)
Protection type	IP 30 according to EN 60 529
Standards	CE conformity electromagnetic compatibility according to EN 61326 according to EMC Directive 2014/ 30/ EU

MW / CK / 16.01.2024

Testo Sensor GmbH

Testo-Straße 1
D-79853 Lenzkirch

+49 7653 96597-0
+49 7653 96597-99

info@testo-sensor.de
www.testo-sensor.de

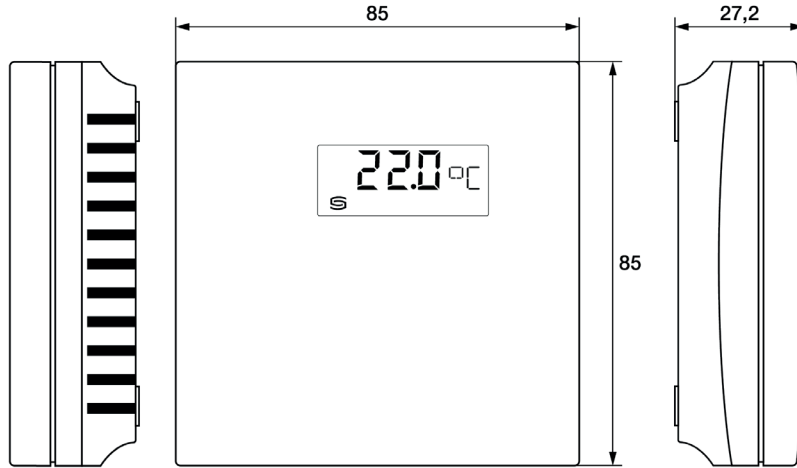
Unser Standard-Portfolio finden Sie in unserem
Webshop unter: www.testo-sensor.shop

Delivery and Packing

Delivery	Transmitter, Operating instructions
Packing	individually packed in cardboard box
Article number	801110 2012

Technical drawing

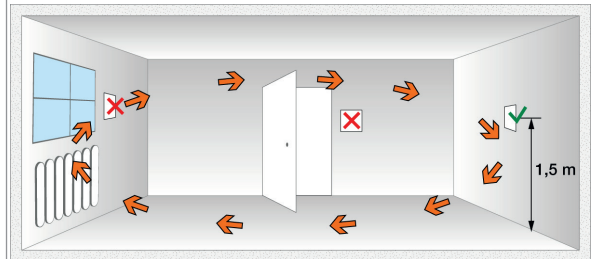
All dimensions in mm



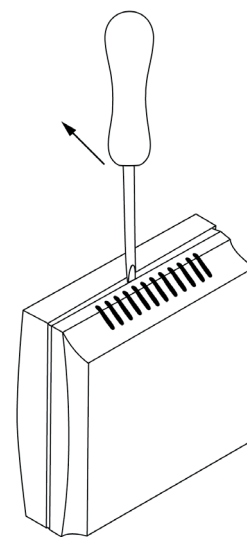
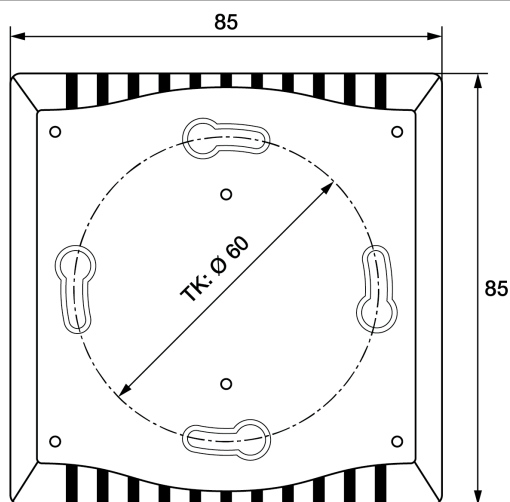
Important assembly instructions

For an accurate measurement of the room temperature, it is important to consider the temperature dynamics in the room. Air circulation should only take place through the openings in the housing cover. Therefore, the transmitter should be installed away from objects or obstacles that shield air movement. Please also be sure to avoid uncontrolled air currents (draughts) by installing near doors or windows. In addition, the transmitter should not be mounted on the colder outside wall.

Wall mounting or on flush-mounted box, Ø 55 mm, bottom part with 4-hole, for mounting on vertically or horizontally installed flush-mounted boxes for cable entry at the rear, with predetermined breaking point for cable entry at the top/ bottom for surface-mounted units.



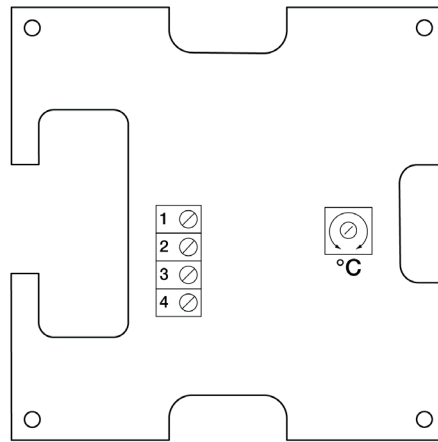
Drilling template



MW / CK / 16.01.2024

Circuit diagrams and assignment (Please also read the operating instructions before connecting the transmitter)

Wiring diagram



Assignment

- 1 = +UB
- 2 = Output temperature (°C)
- 3 = n.c.
- 4 = GND (Background lighting)

MW / CK / 16.01.2024

Testo Sensor GmbH

Testo-Straße 1
D-79853 Lenzkirch

+49 7653 96597-0
+49 7653 96597-99

info@testo-sensor.de
www.testo-sensor.de

Unser Standard-Portfolio finden Sie in unserem
Webshop unter: www.testo-sensor.shop