
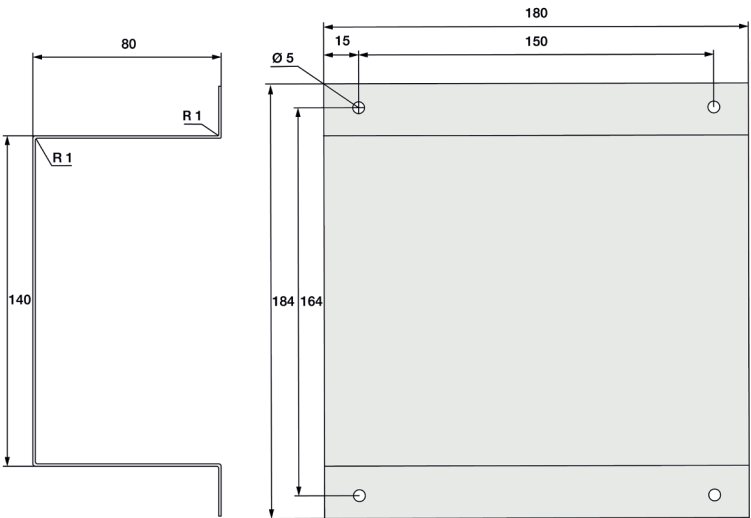
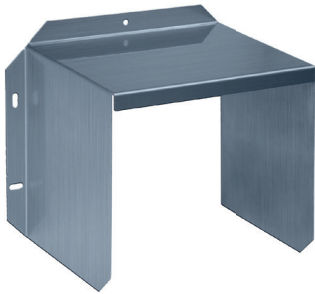
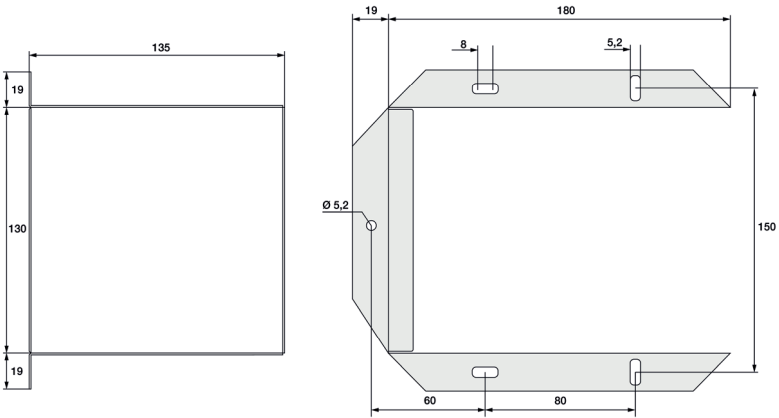


Accessories

Sun Protection

Sun Protection WS-01	
Article image	Technical drawing
	
Your order code	
Article number	809510 3000
Material	Stainless steel 1.4301 SUS 304
Dimension (L/W/H) (mm)	184 x 180 x 80
Material thickness (mm)	1
Fastening	4 x Ø 5 mm drill holes

Sun Protection WS-04	
Article image	Technical drawing
	
Your order code	
Article number	809510 4000
Material	Stainless steel 1.4301 SUS 304
Dimension (L/W/H) (mm)	130 x 180 x 135
Material thickness (mm)	1
Fastening	5 x Ø 5,2 mm drill holes

MW / KS / 07.12.2023