

# TC built-in coupling round type J

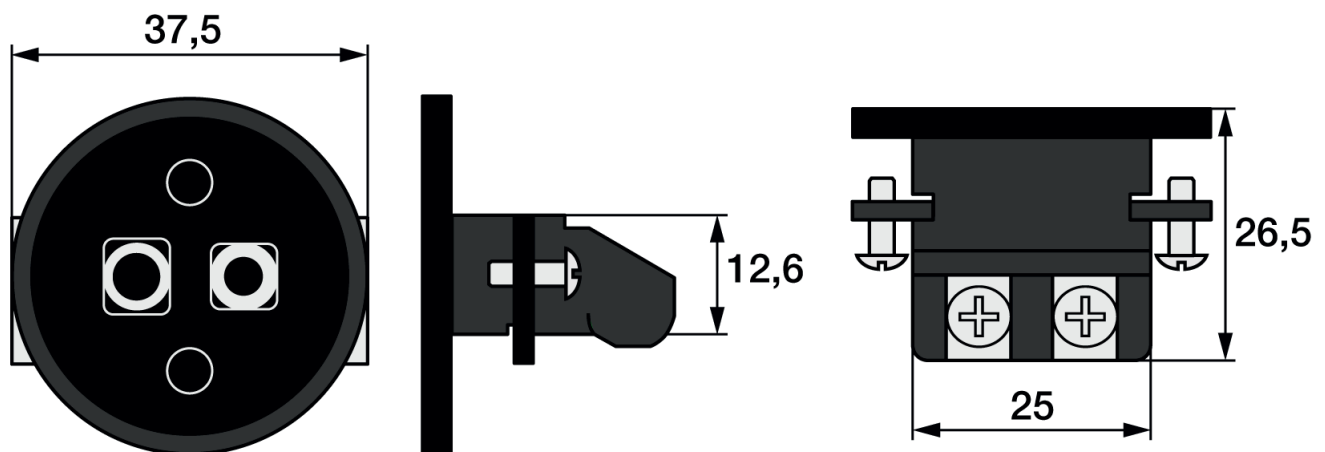
**Article no.:** 809180 1000

TC built-in coupling round type J is made of Glass fiber filled plastic. Perm. range °C up to max. 220 °C. Suitable for Type J, Fe-CuNi (black according to DIN EN 60584) .



Technical details	
Suitable for	Type J, Fe-CuNi (black according to DIN EN 60584)
Perm. range °C	max. 220 °C
Housing	Glass fiber filled plastic
Conductor diameter	Clamps up to 1,6 mm Ø
Electrical connection	from solid material, original thermocouple materials
Reverse polarity protection	due to different contact pin diameters
Diameter hole (mm)	27
Board thickness (mm)	max. 5
Length (mm)	37,5
Height (mm)	26,5
Scope of delivery	TC built-in coupling round type J, packed in PE bag

## Technical drawing



CK / MWA / 09.04.2024

### Testo Sensor GmbH

Testo-Straße 1  
D-79853 Lenzkirch

+49 7653 96597-71

webshop@testo-sensor.de

Please find our whole temperature probe and transmitter portfolio in our webshop at: [www.testo-sensor.shop](http://www.testo-sensor.shop)

Managing Director: Prof. Burkart Knospe, Martin Arndt, Timo Löffler

Amtsgericht Freiburg HRB 706025 | Umsatzsteuer-ID.: DE274417683