

Transmitter with cable probe 4-20 mA

Article number: 804010 1012

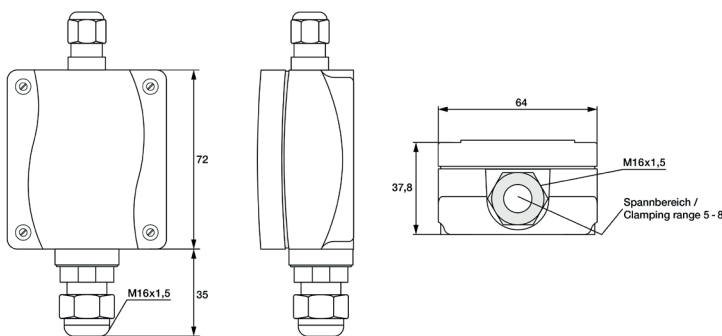
Our measuring transducer has an external cable probe and a 4-20 mA current output. The measuring transducer with 4-20 mA cable probe has eight switchable measuring ranges, a silicone cable with a 6x50 mm protection sleeve and either a cable gland or an M12 connector in accordance with DIN EN 61076-2-101.

Supply and output	
Output	4 - 20 mA
Power consumption	< 1,0 VA / 24 V DC
Voltage supply	15 - 36 V DC
Connection type	2-Wire

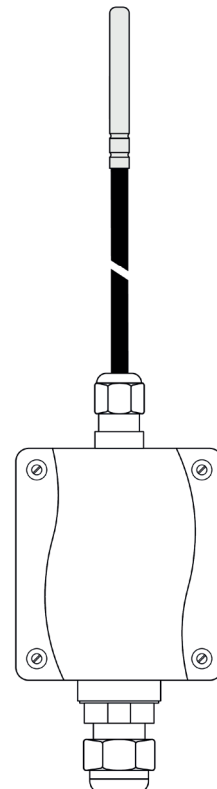
General information	
Measuring range	multi-range switching with 8 switchable measuring ranges with manual zero point correction (± 10 K)
Sensor	Pt1000, DIN EN 60751, Class B
Temperature deviation	typically ± 0.2 K at +25 °C
Load	R_a (Ohm) = $(U_b - 14 \text{ V}) / 0,02 \text{ A}$
Process connection	by screws

Gehäuse	
Material	Plastic, UV-resistant Material polyamide, 30 % glass bead reinforced
Dimensions (L/W/H) (mm)	72 x 64 x 37,8
Color	Traffic white (similar to RAL9016)
Electrical connection	0.14 - 1.5 mm ² , via screw terminals on circuit board
Closure	with quick release screws

Protection sleeve		Cable	
Material	Stainless steel 1.4571 316TI	Cable material	Silicone (SiHF)
Ø (mm)	6	Cable length (m)	1,5
Length (mm)	50 mm	Color	Black
		Cross section (mm ²)	2 x 0,25



Configurable options
K - Screw connection



MW / KS / 14.12.2023

Testo Sensor GmbH

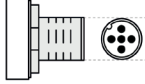
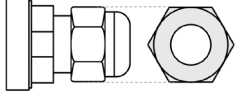
Testo-Straße 1
D-79853 Lenzkirch

+49 7653 96597-0
+49 7653 96597-99

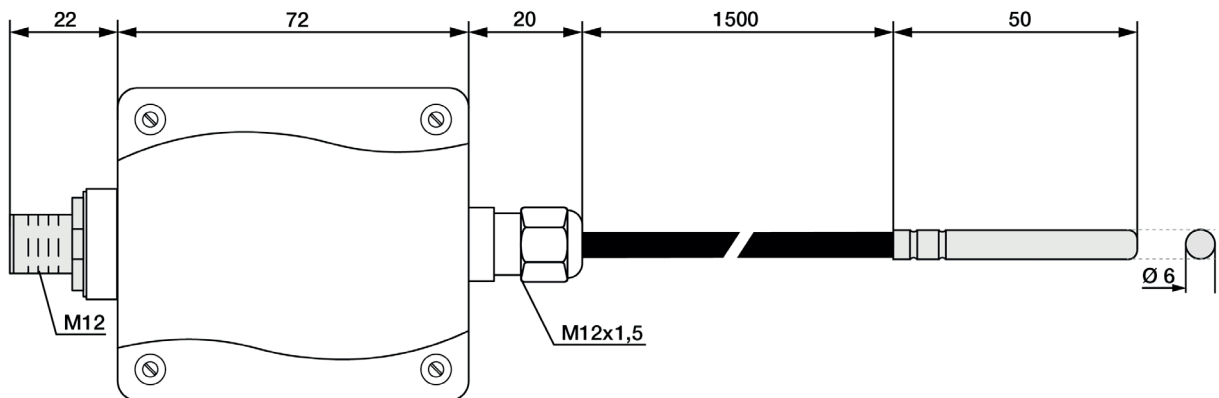
info@testo-sensor.de
www.testo-sensor.de

Unser Standard-Portfolio finden Sie in unserem
Webshop unter: www.testo-sensor.shop

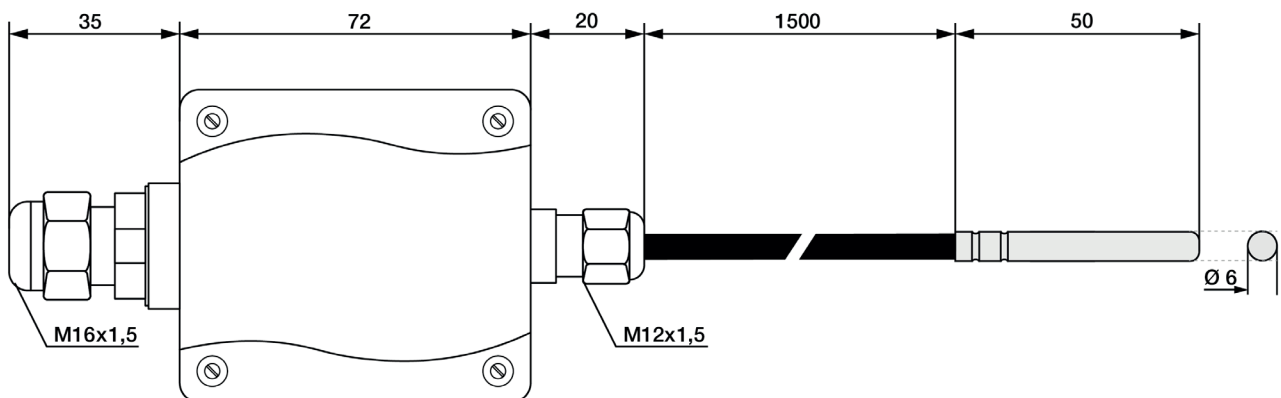
Ambient conditions			
Ambient temperature	-30 °C to +70 °C	Permissible air humidity	< 95 % r. H., non-precipitating air
Certifications / Standards			
Protection class	III (nach EN 60 730)	Standards	CE conformity electromagnetic compatibility according to EN 61326, according to EMC Directive 2014/ 30/ EU
Protection type	IP 65 according to EN 60 529		
Delivery and Packing			
Delivery	Transmitter, Operating instructions	Packing	individually packed in PE bag

Your order code		K - Screw connection		Technical drawing
Article number	Screw connection	Code	Screw connection	
804010 1012	K____	K1	M12 plug connector, Acc. DIN EN 617076-2-101	
		K3	Cable gland, Plastic, M16x1,5, Strain relief, replaceable, max. 10,4 mm Ø Inner	

Technical drawing	
Configurable options K - Screw connection	All dimensions in mm
K1 - M12 plug connector	



K3 - Cable gland	
------------------	--



MW / KS / 14.12.2023

Testo Sensor GmbH

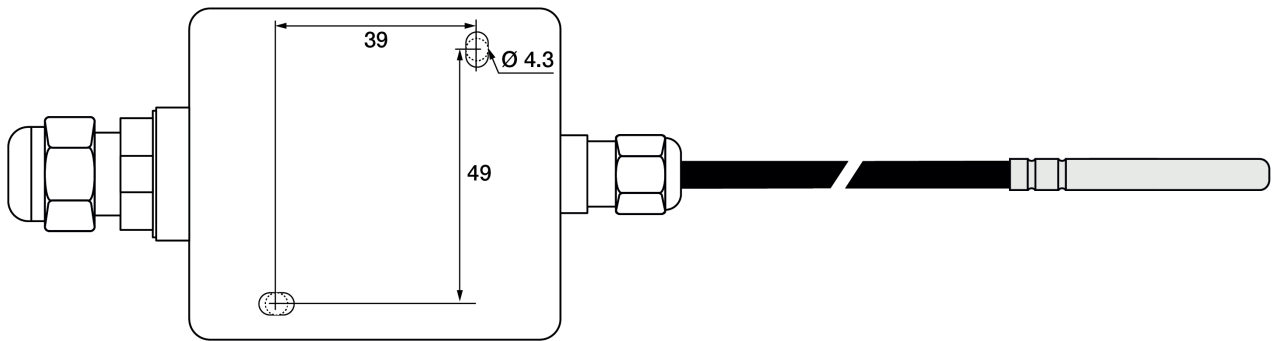
Testo-Straße 1
D-79853 Lenzkirch

+49 7653 96597-0
+49 7653 96597-99

info@testo-sensor.de
www.testo-sensor.de

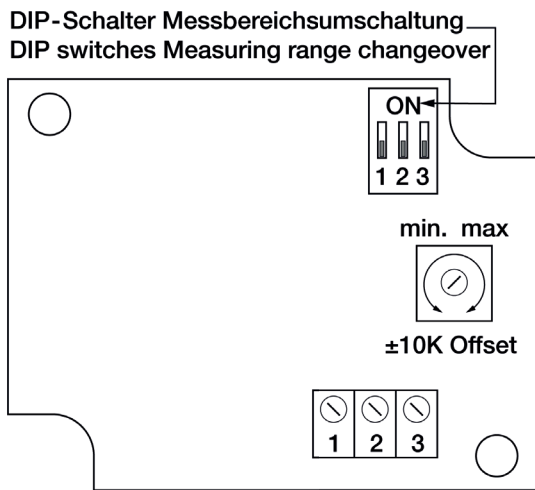
Unser Standard-Portfolio finden Sie in unserem
Webshop unter: www.testo-sensor.shop

Drilling template

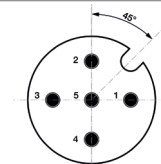


Circuit diagrams and assignment (Please also read the operating instructions before connecting the transmitter)

Wiring diagram



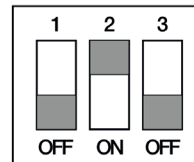
Pin assignment (M12)



- 1 = +UB 15-36 V DC
- 2 = Output temperature 4-20 mA (°C)
- 3 = free
- 4 = free
- 5 = Shield

Default configuration

Werkseinstellungen:
 Skalierung: 0 .. 50 °C



Set scaling via DIP switch

Messbereichsumschaltung via DIP-Schalter
 Changing measuring range via DIP switches

DIP 1	DIP 2	DIP 3	Scaling Range
on	on	on	-20 .. +150°C
off	on	on	-50 .. +50°C
on	off	on	-20 .. +80°C
off	off	on	-30 .. +60°C
on	on	off	0 .. +40°C
off	on	off	0 .. +50°C
on	off	off	0 .. +100°C
off	off	off	0 .. +150°C

Assignment

- 1 = +UB 24 V DC
- 2 = Output temperature 4-20 mA (°C)
- 3 = -UB GND

MW / KS / 14.12.2023